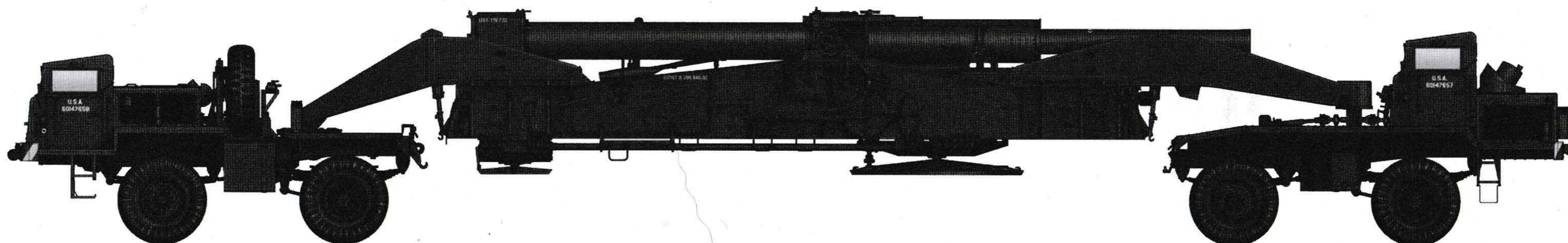


1/35 SCALE

ITEM NO.:63522



# M65 280mm Atomic Cannon Atomic Annie

## 美国M65“原子安妮”280毫米火炮

### READ BEFORE ASSEMBLY:

- This kit is not recommended for inexperienced modelers or for children under 14 years of age
- Study and understand these instructions thoroughly before beginning assembly
- When needed, remove photo-etch parts carefully using a modeling knife or photo etch sprue cutter, being careful not to damage or lose small parts.
- Take extra care in handling photo etch parts in order to avoid injury
- Apply instant cement sparingly to photo etch parts where instructed

- Tools recommended(not included in kit):Plastic and instant cements,sprue cutters,long nose pliers,modeling knife, small files, tweezers, pin vise & scissors. Soft cloth and sandpaper will also assist in construction
- Glue and paint are not included in the kit. Use plastic cement and hobby paints only. Color guide for purchasing paint is included in the kit.
- Keep out of reach of children. They must not be allowed to ingest small parts or handle plastic bags in any way.

### 装配之前仔细阅读

- 小心用模型锉刀锉平所有零件表面的注射浇口。
- 小心用刀片切下蚀刻片零件，不要遗失小零件。
- 用强力快干胶水粘合蚀刻片零件和金属轴。过量的快干胶水使用可能导致可动零件会粘住，小心涂胶。
- 取蚀刻片时应特别注意安全，防止利边划伤手指。
- 某些零件表面需贴上水贴纸，请选择在装配的同时进行。
- 推荐模型工具(自备)：胶水，水口剪刀，长咀钳，刀片，锉刀，镊子钳，钻，剪刀，瞬间快干胶。
- 软布同砂纸同时也应该是必备工具。
- 请使用塑料胶水和油漆，模型内不含。
- 谨防小孩吸吮塑料零件，或者将塑料袋套在头上，制作时应将套材远离小孩接触。
- 本产品不适合14岁以下没有经验的模型爱好者。

### 水贴纸的使用:

1. 从水贴上剪下印花;
2. 将印花放入温水中浸10秒, 然后放在干净布上。
3. 拿着印花纸板将印花移到模型上;
4. 手指蘸水将印花移到适当的位置;
5. 用软布轻压印花直至水干, 汽泡消失。

### DECAL APPLICATION:

1. Cut decals from sheet as needed
2. Dip the decal in warm water for about 10 seconds and then place on soft clean cloth.
3. Hold the decal backing sheet edge and gently slide the decal onto the model in its proper position.

4. While still wet,decal can be adjusted for better fit on model by dampening it gently with your finger.
5. When placed in the proper position,gently press decal down with a soft cloth until excess water and air bubbles are gone.
6. Allow decal to dry completely before handling model



使用强力胶  
Cyanoacrylate glue



配重  
Weight



钻孔  
Make hole



切除  
Cut / Remove



先装  
Install it first



贴纸  
Decal



锉平  
File / Sand



选择  
Option



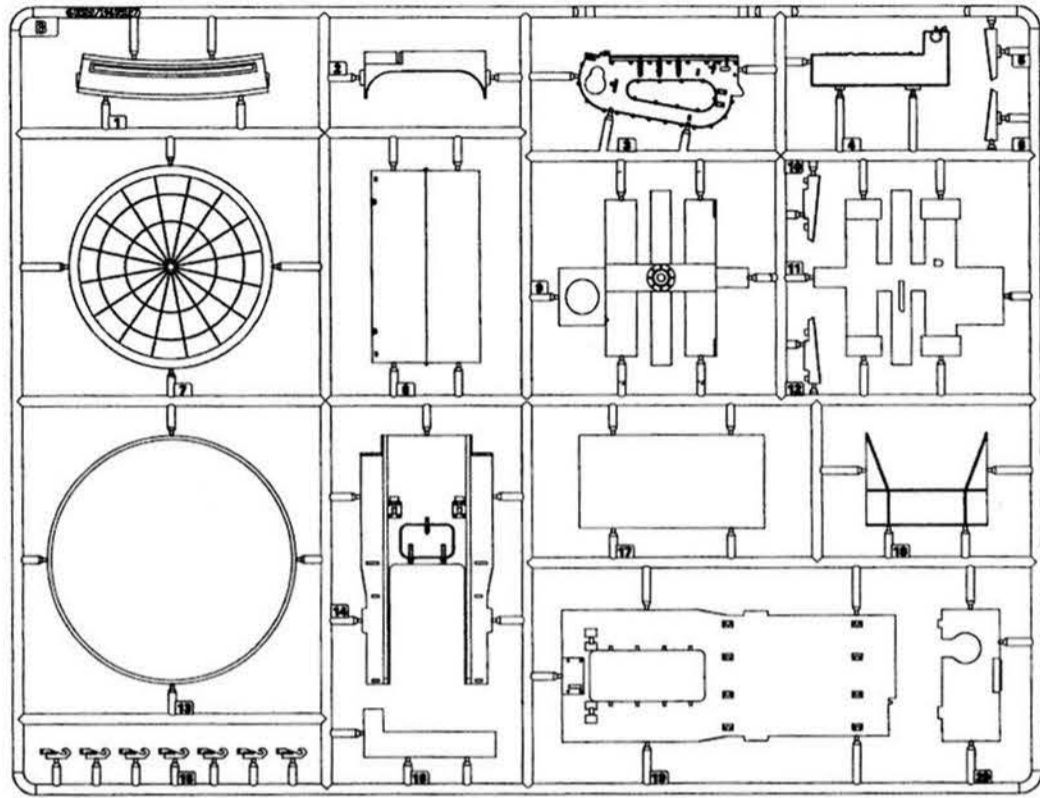
不涂胶水  
No cement



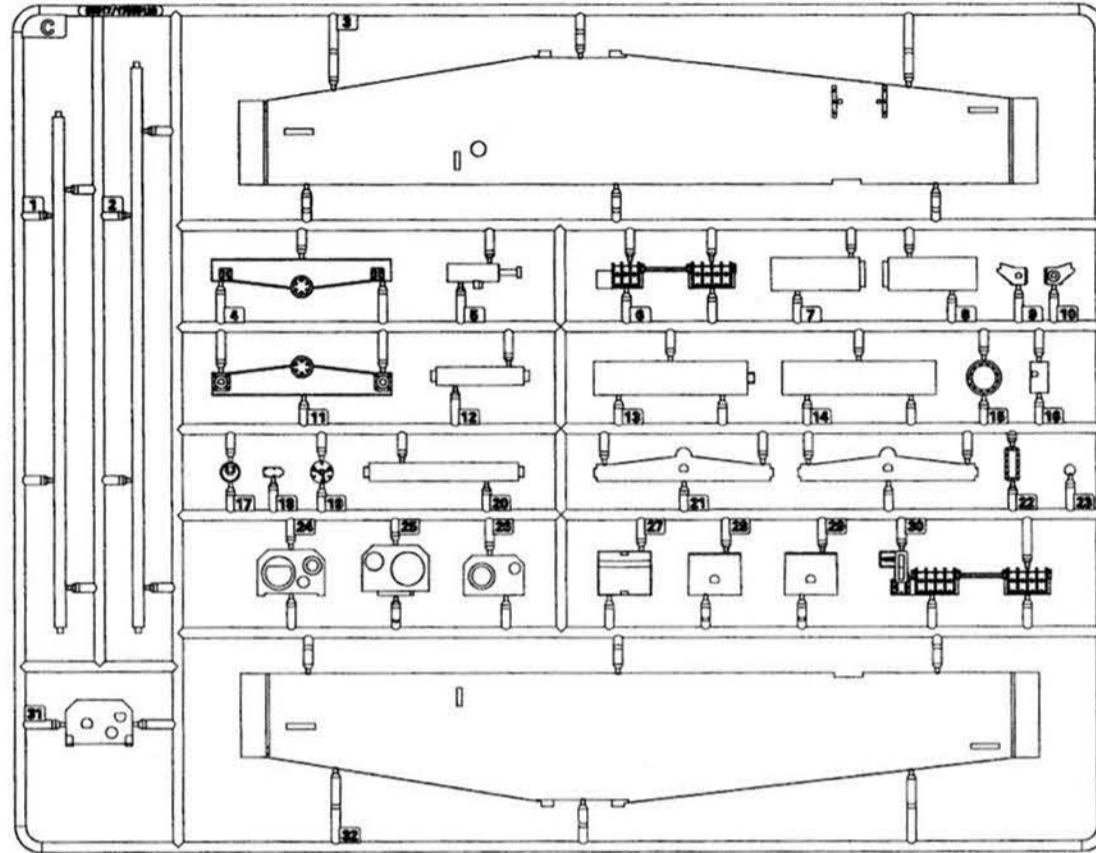
弯曲  
Bend

部品图  
Parts

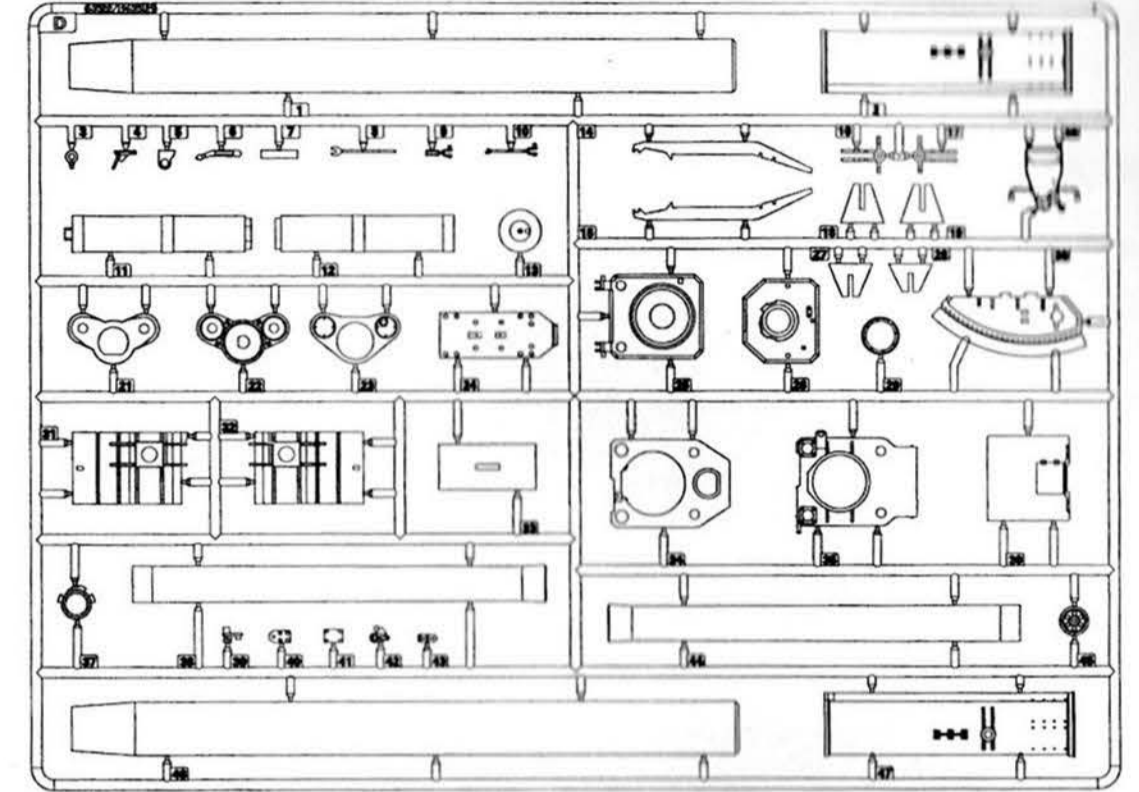
B



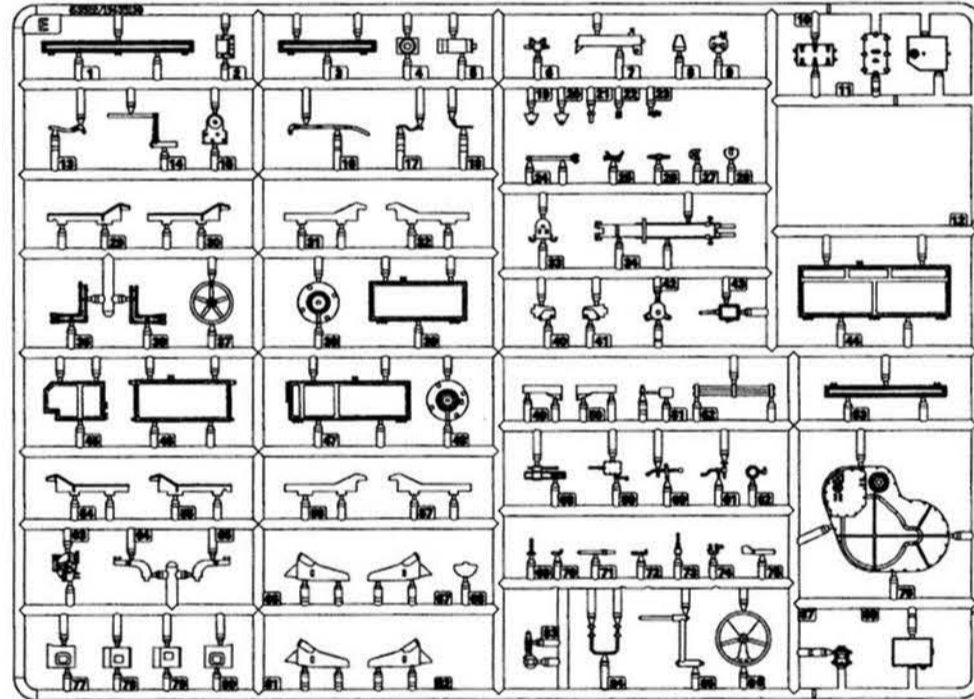
C



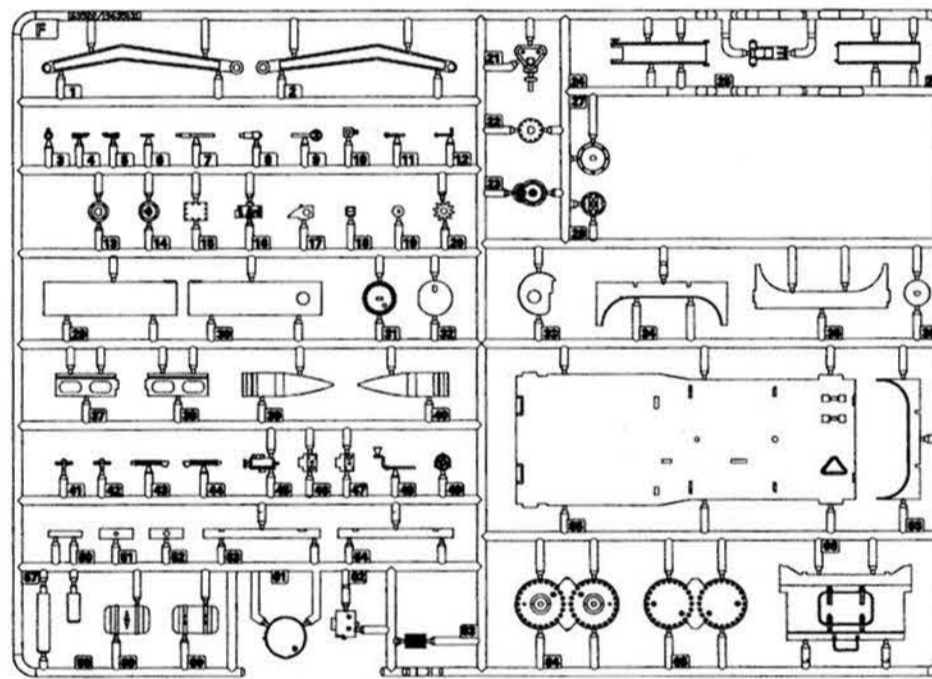
D



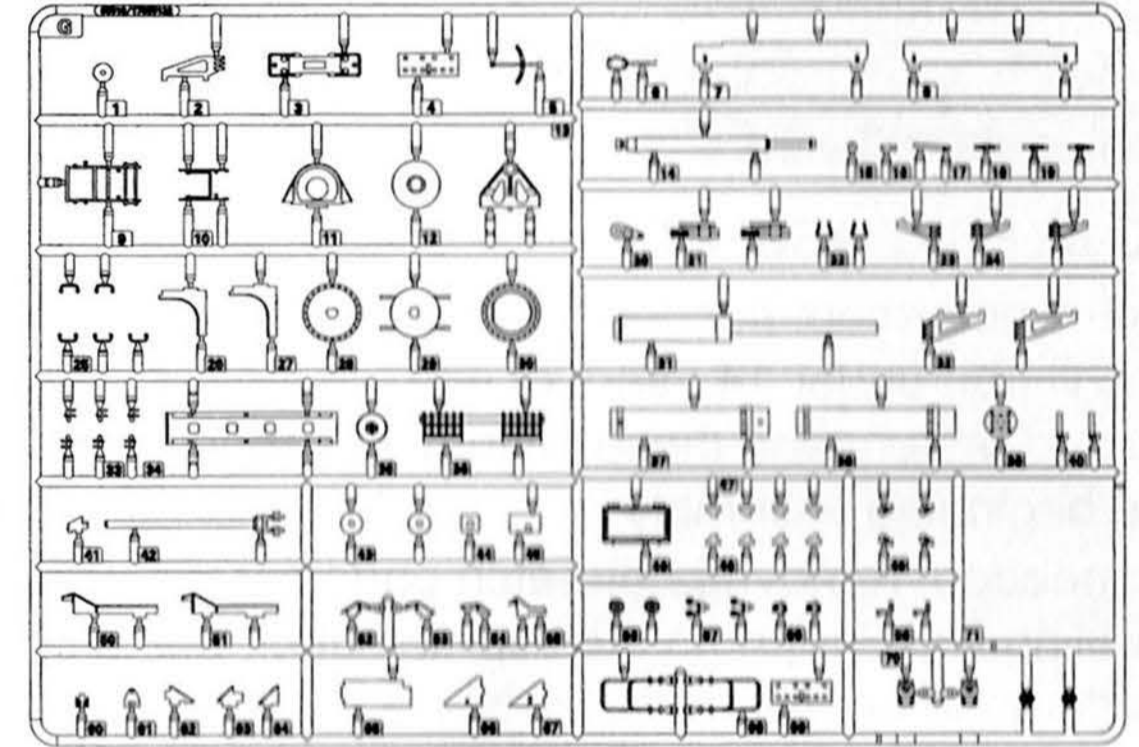
E



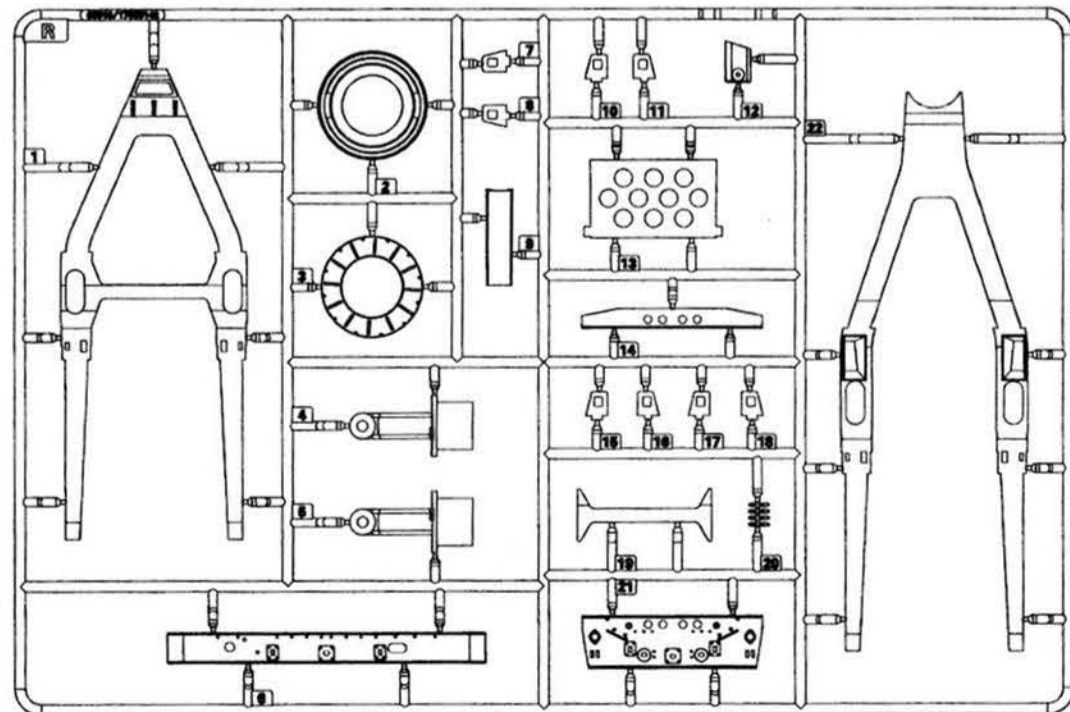
F



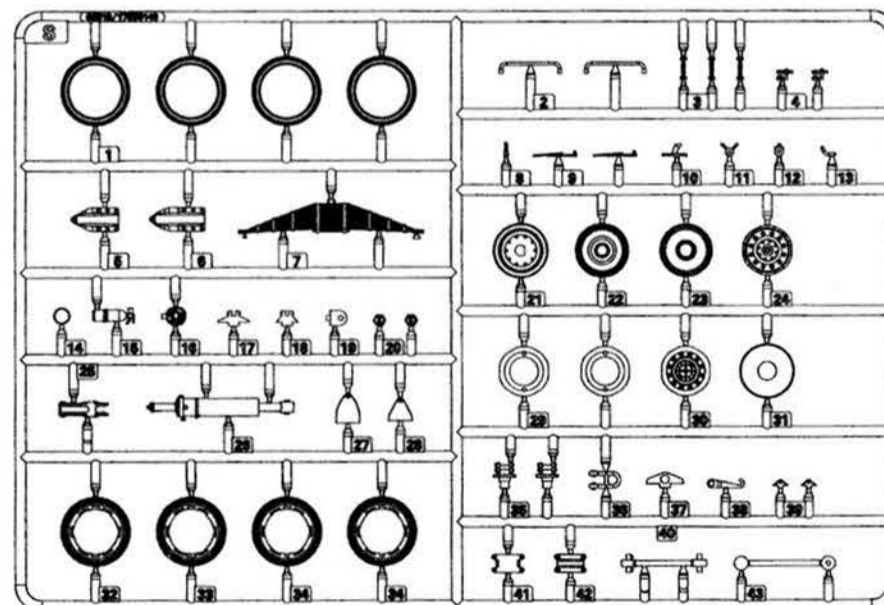
Gx2



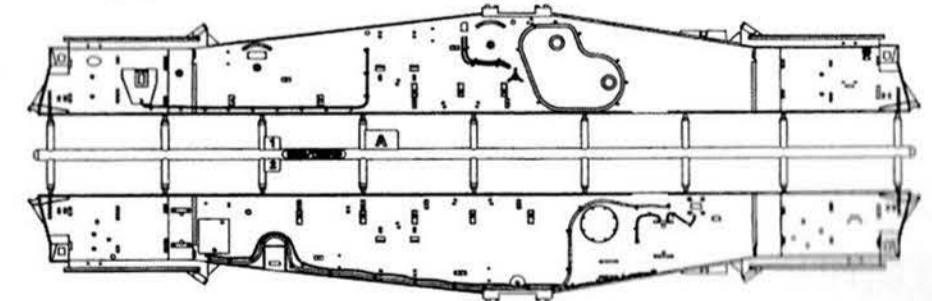
R



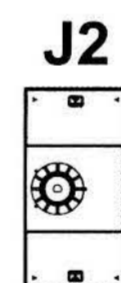
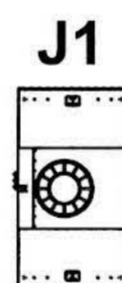
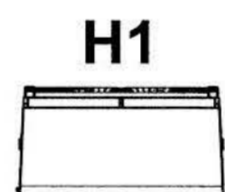
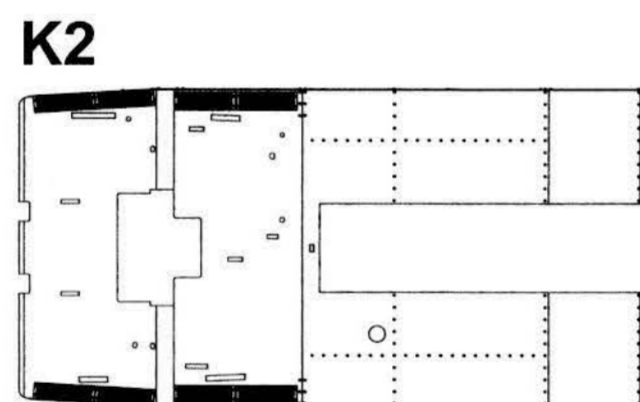
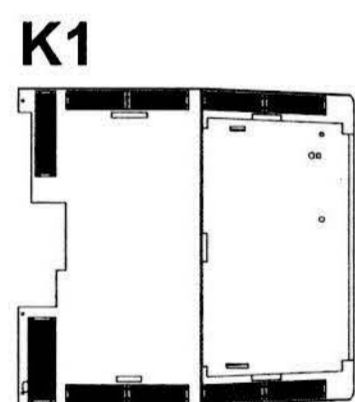
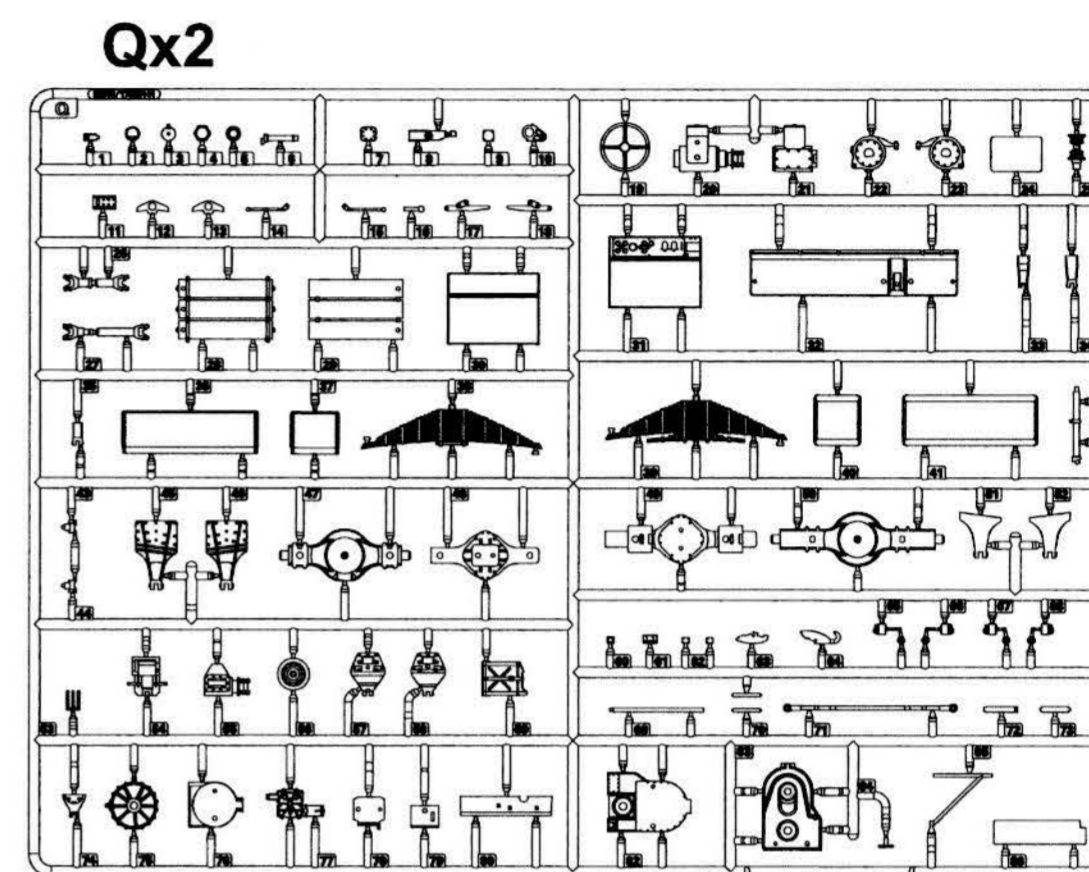
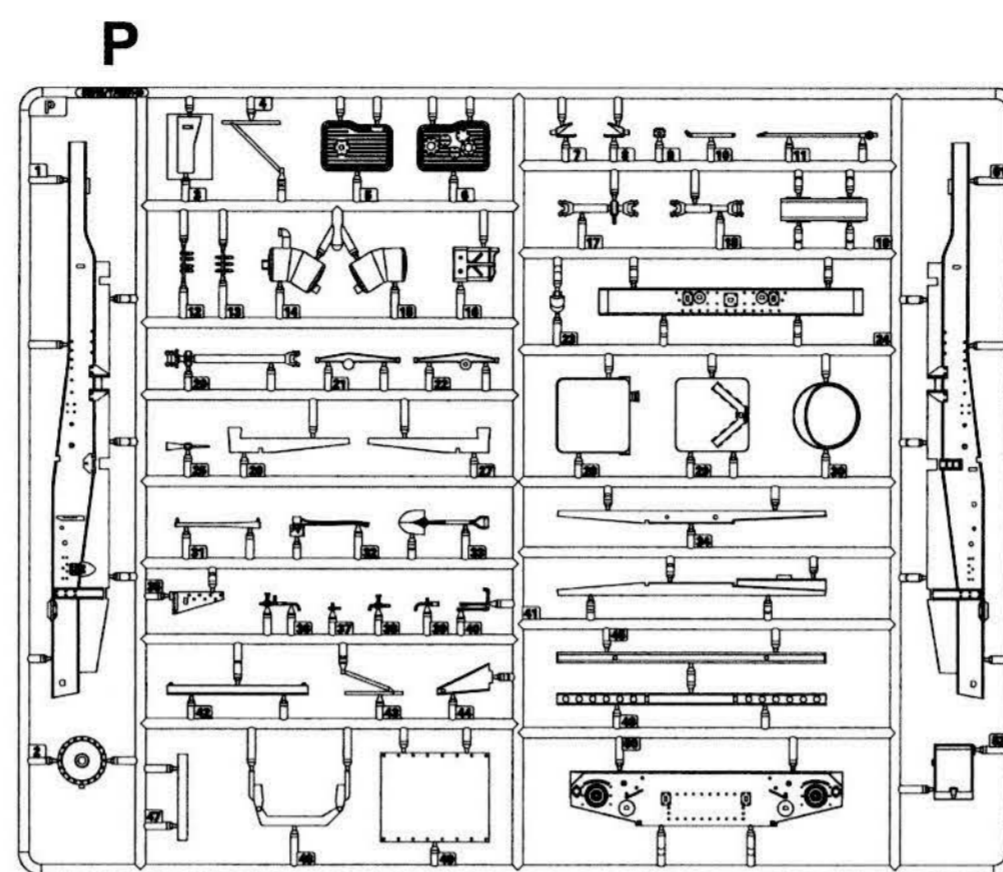
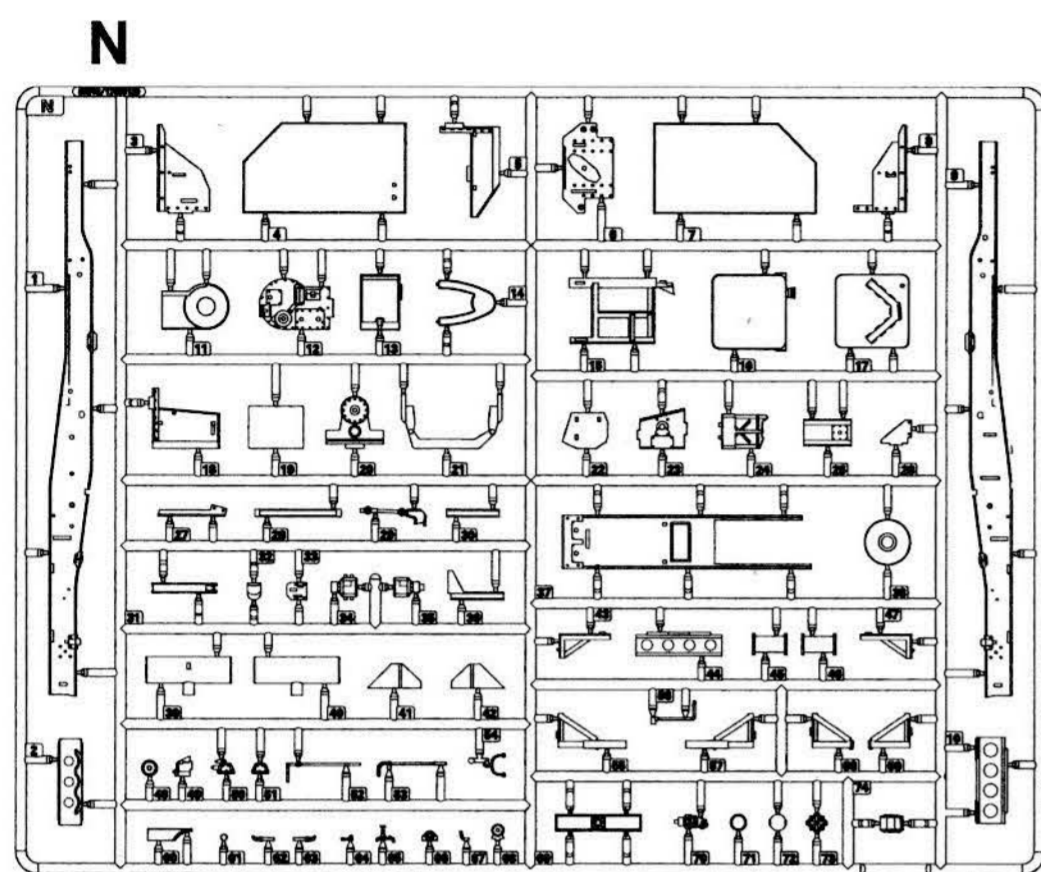
Sx4



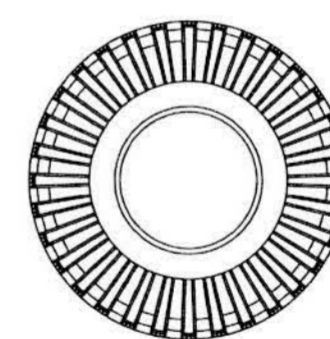
A



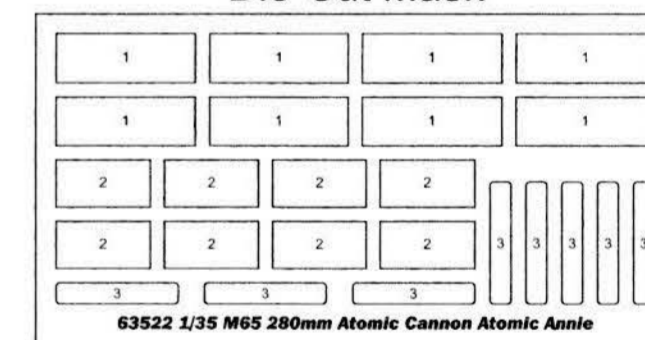
部品图  
Parts



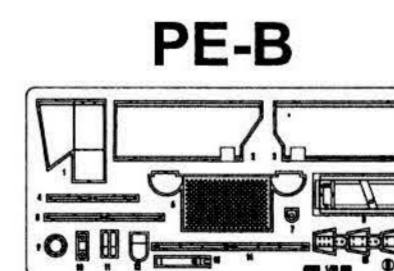
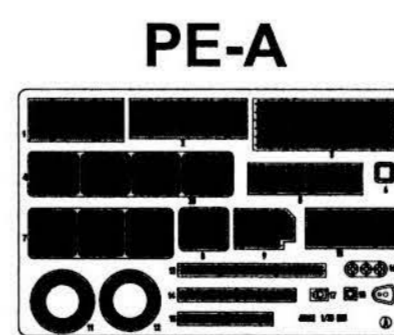
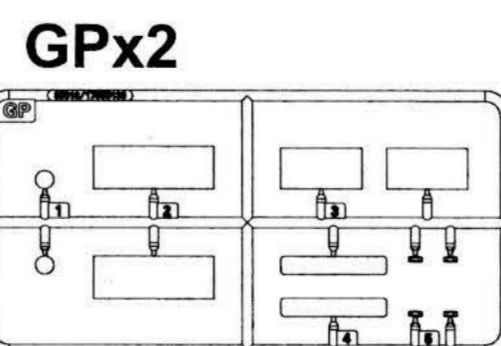
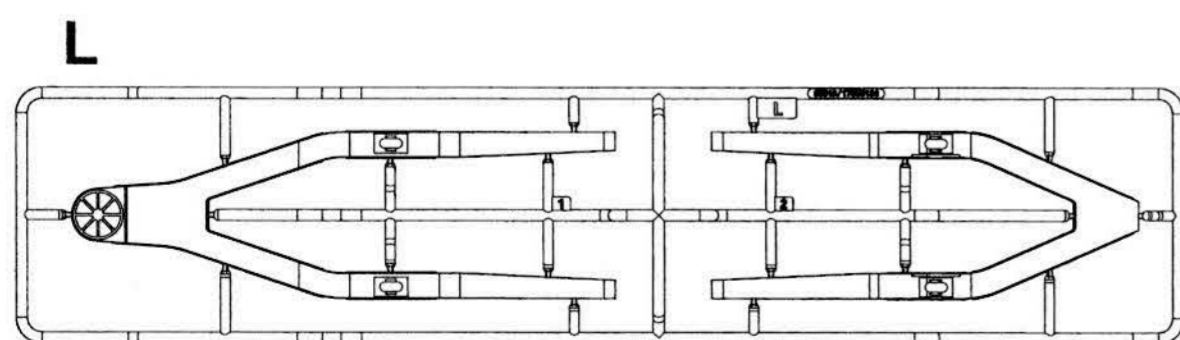
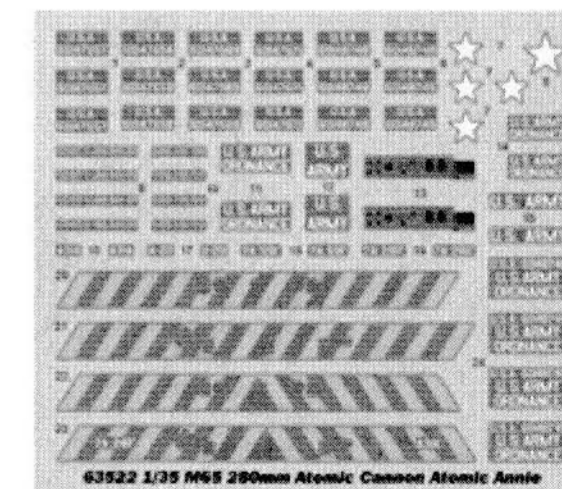
《轮胎》  
Tyre x13



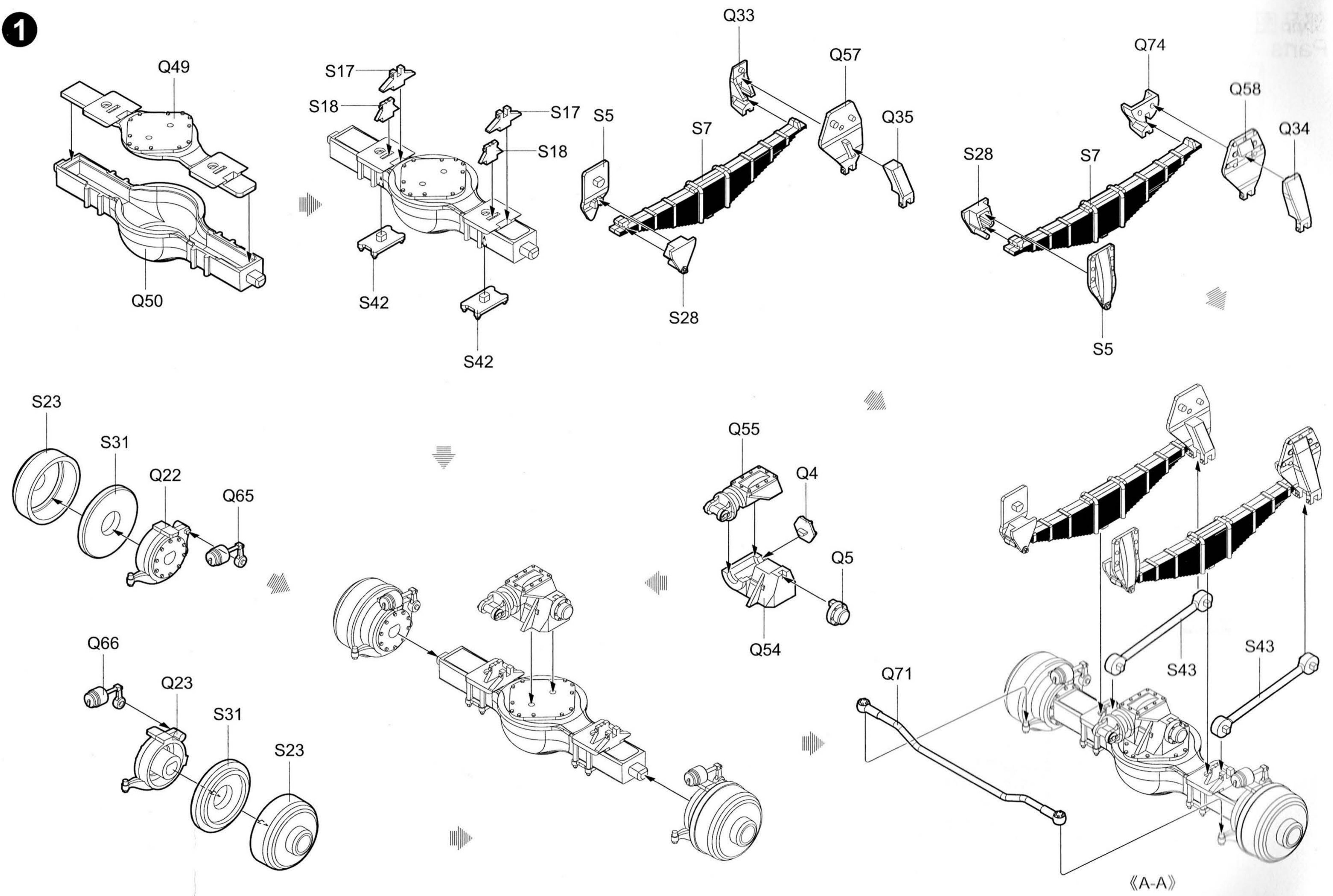
《遮盖纸》  
Die-Cut Mask



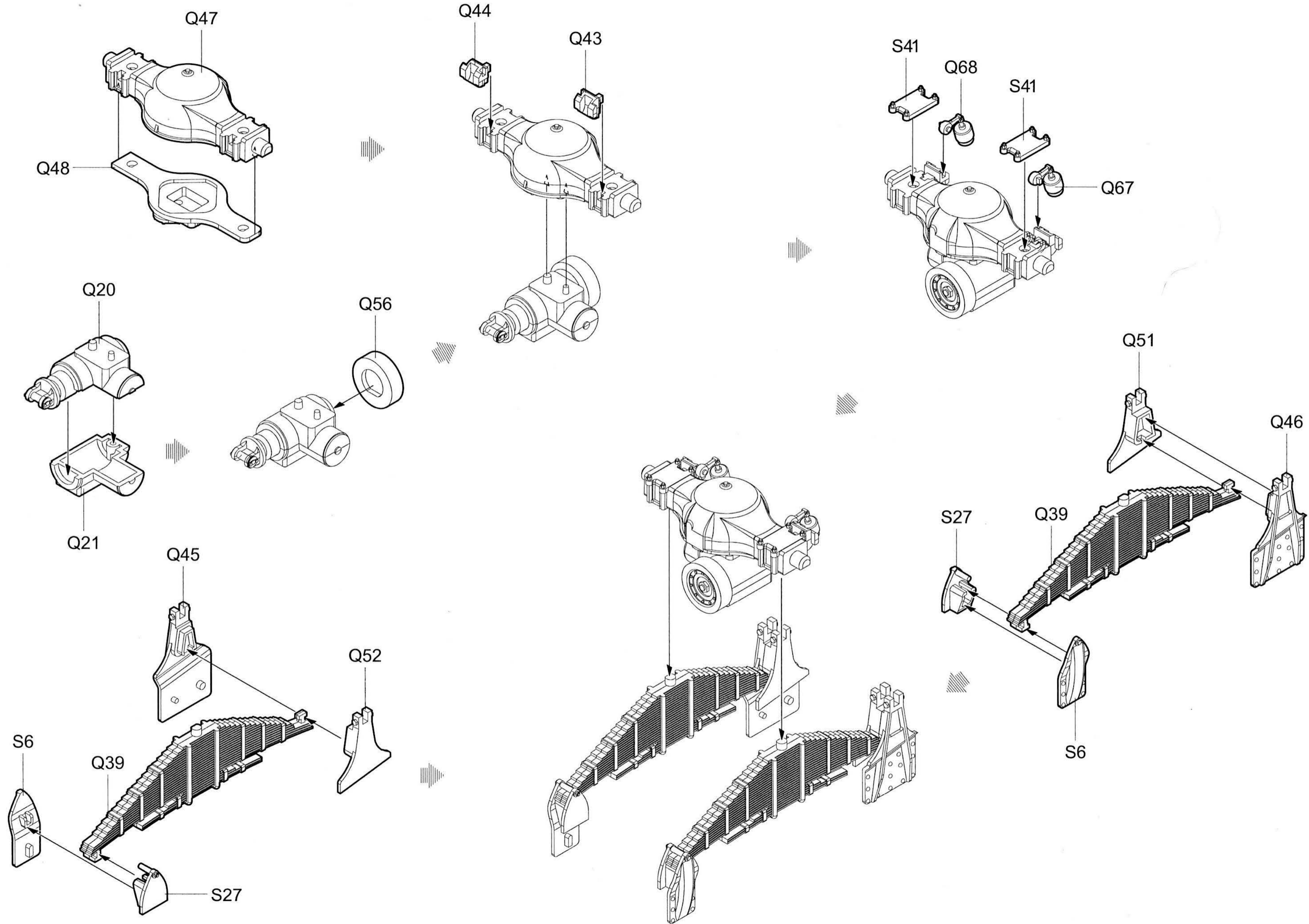
《水贴》  
Decal



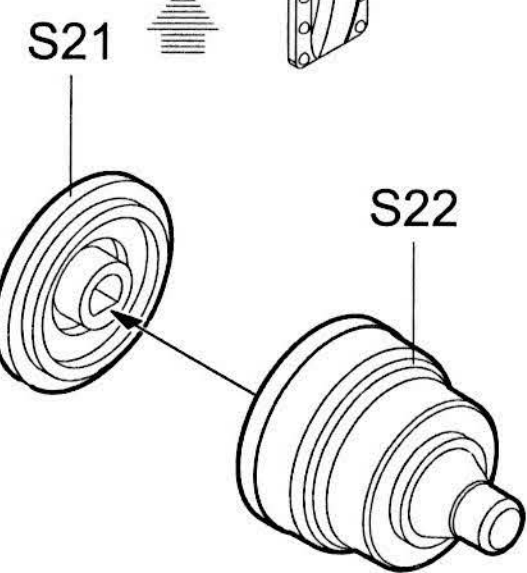
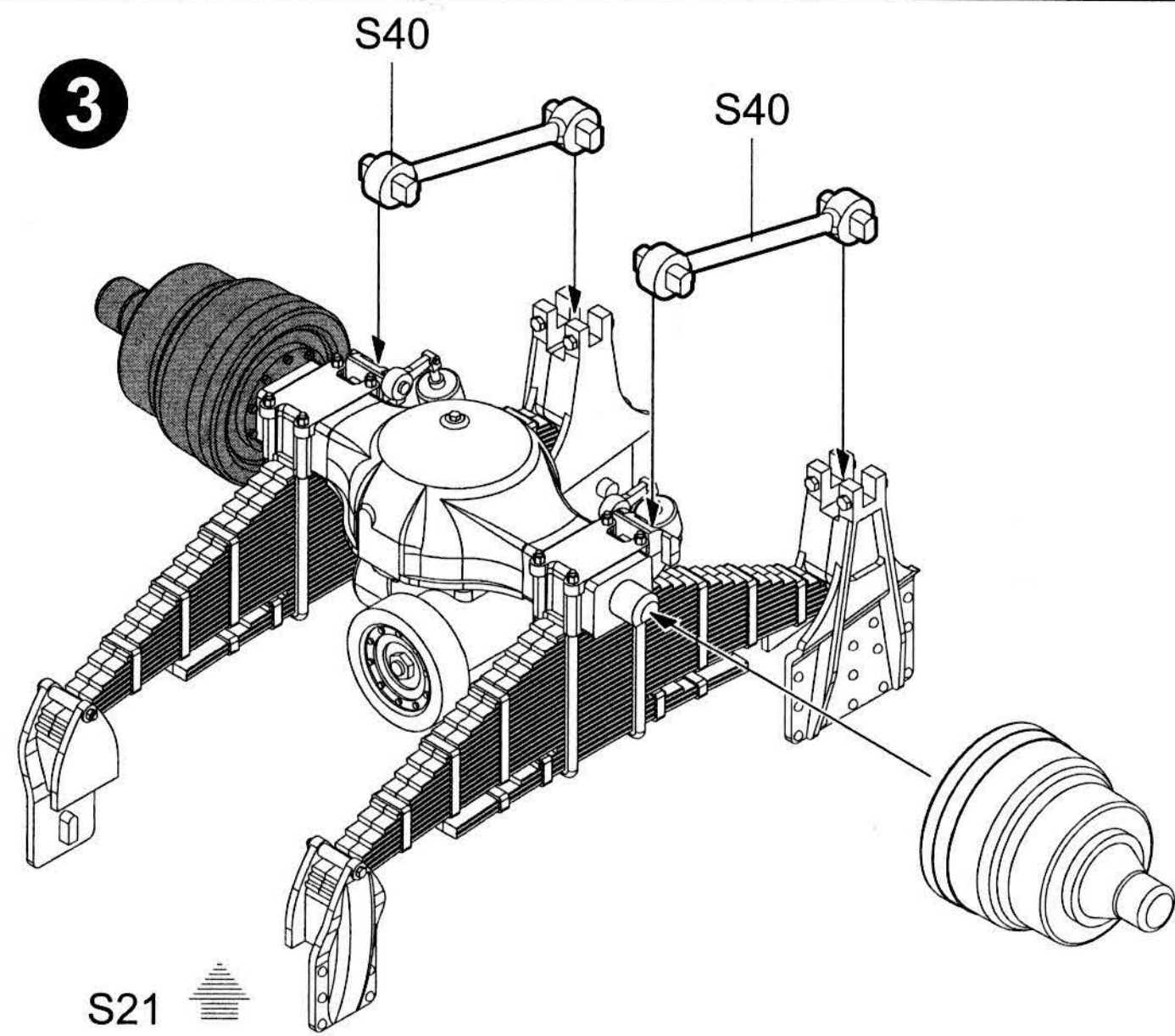
1



2

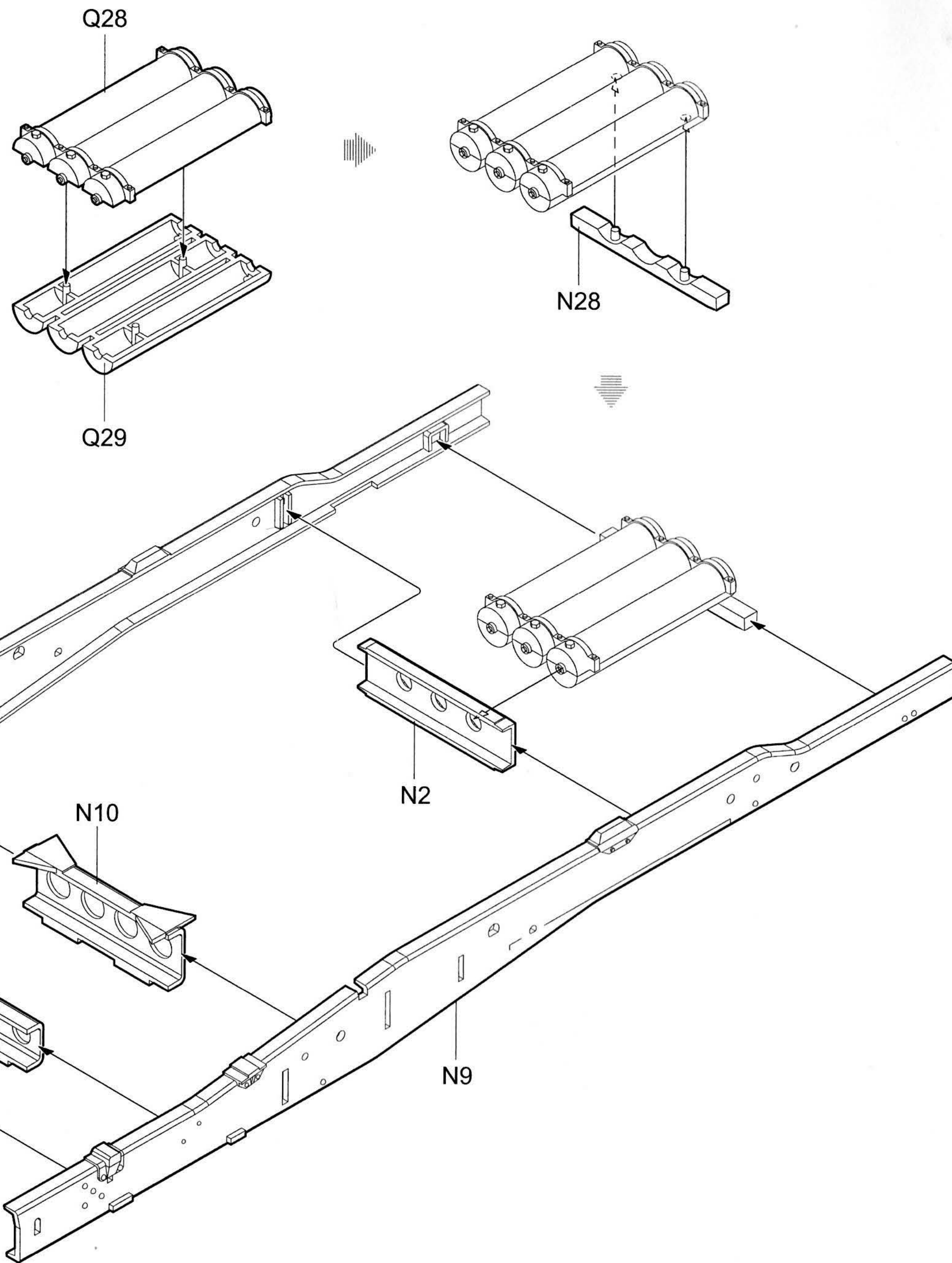


3

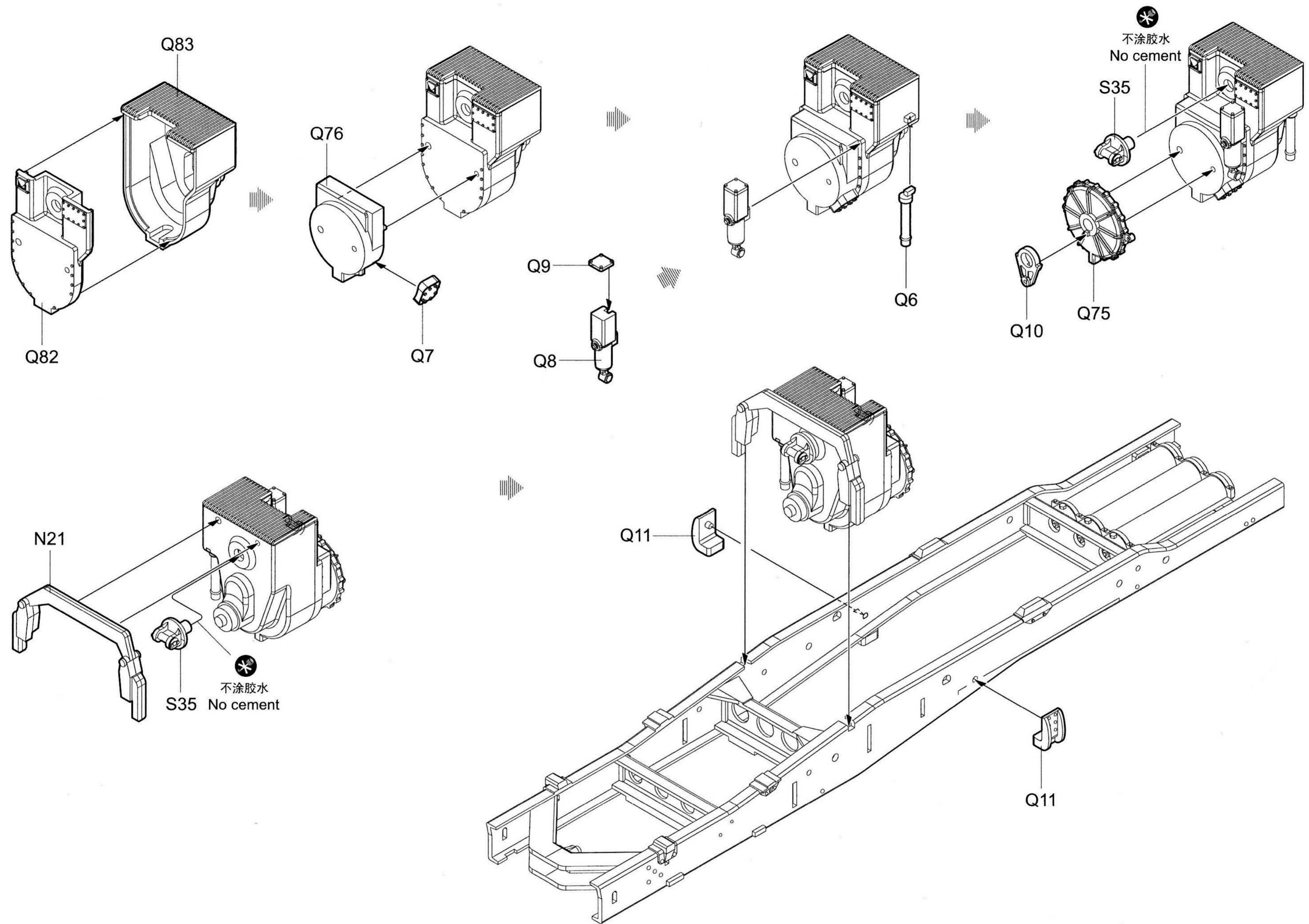


制作2组  
Make two

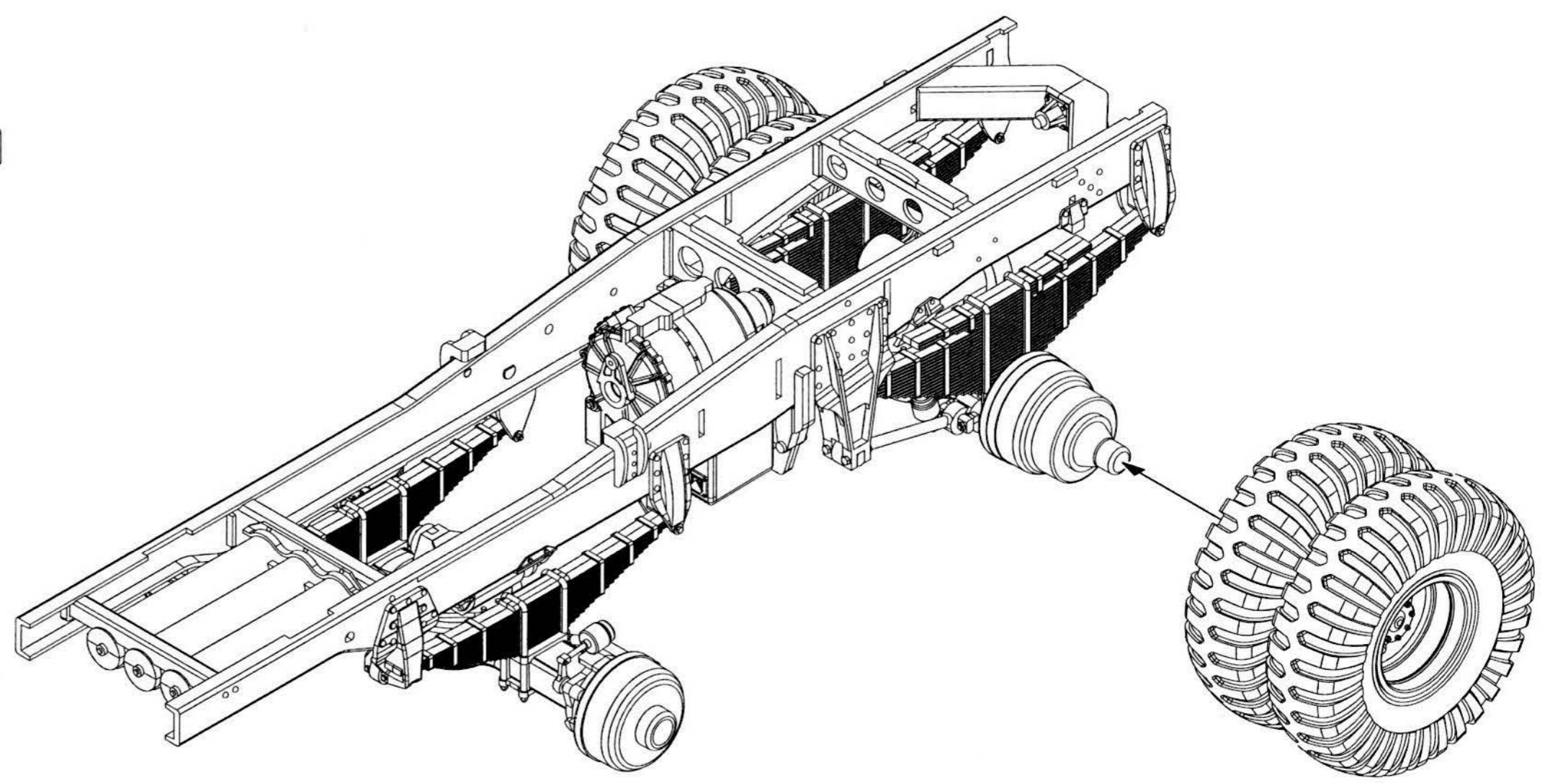
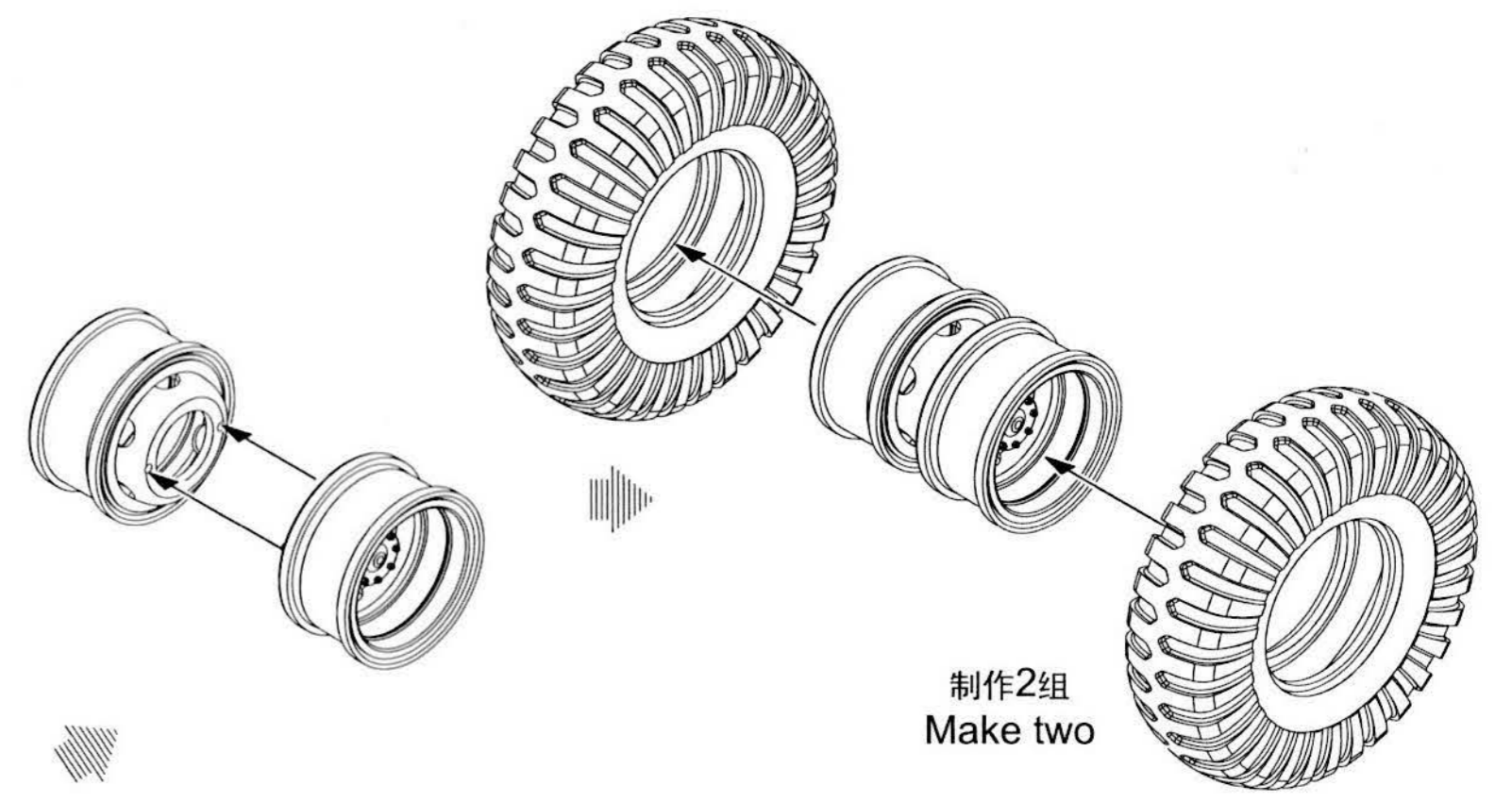
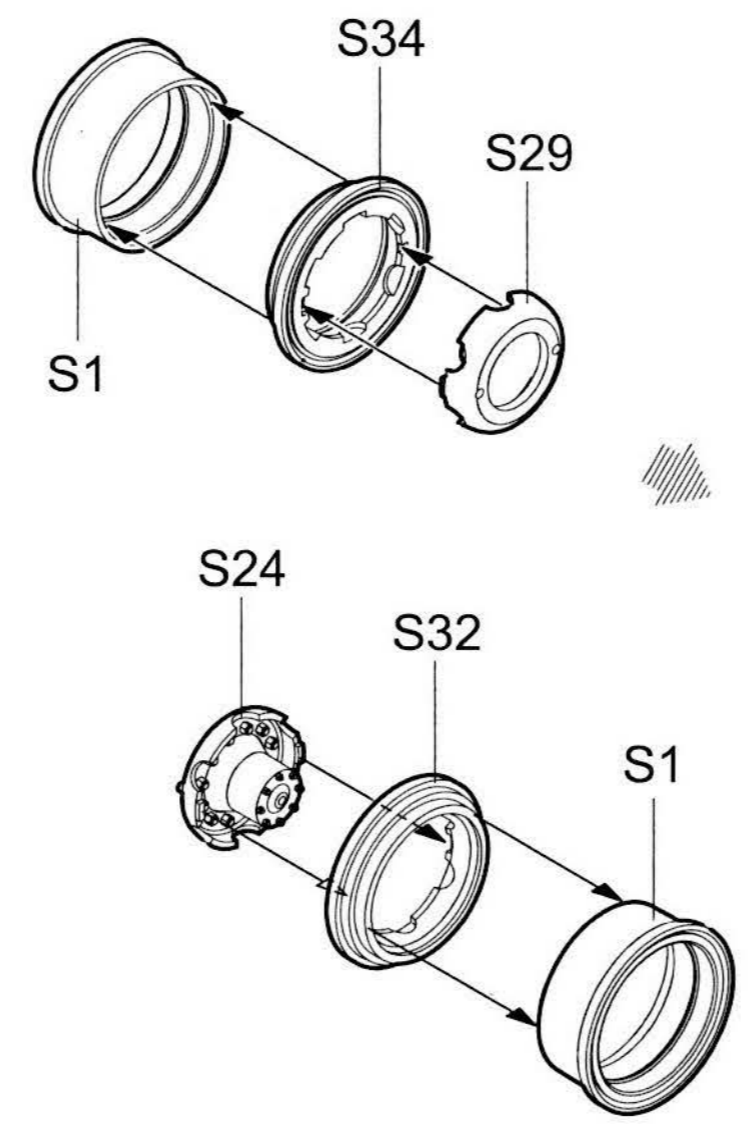
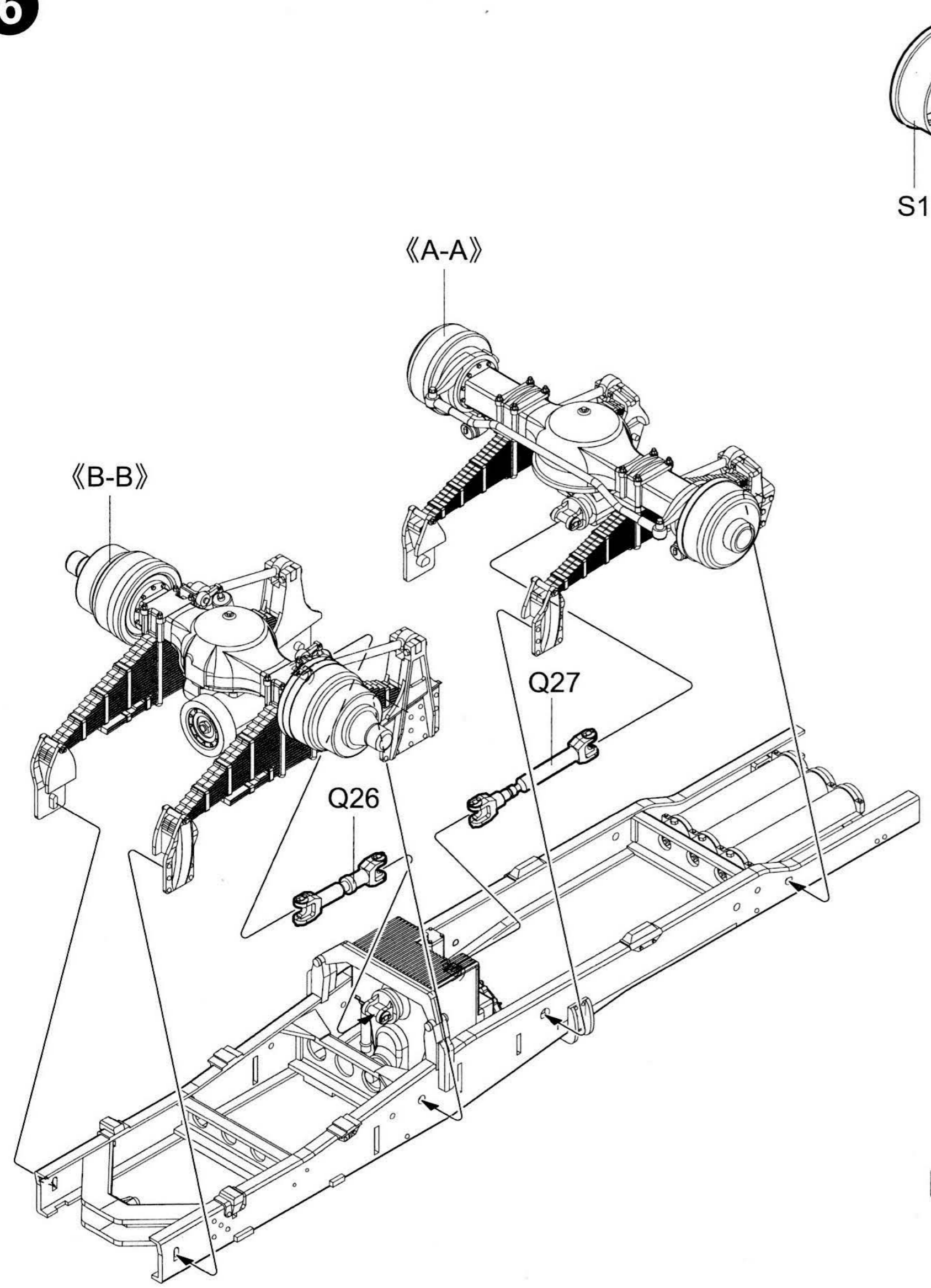
4



5

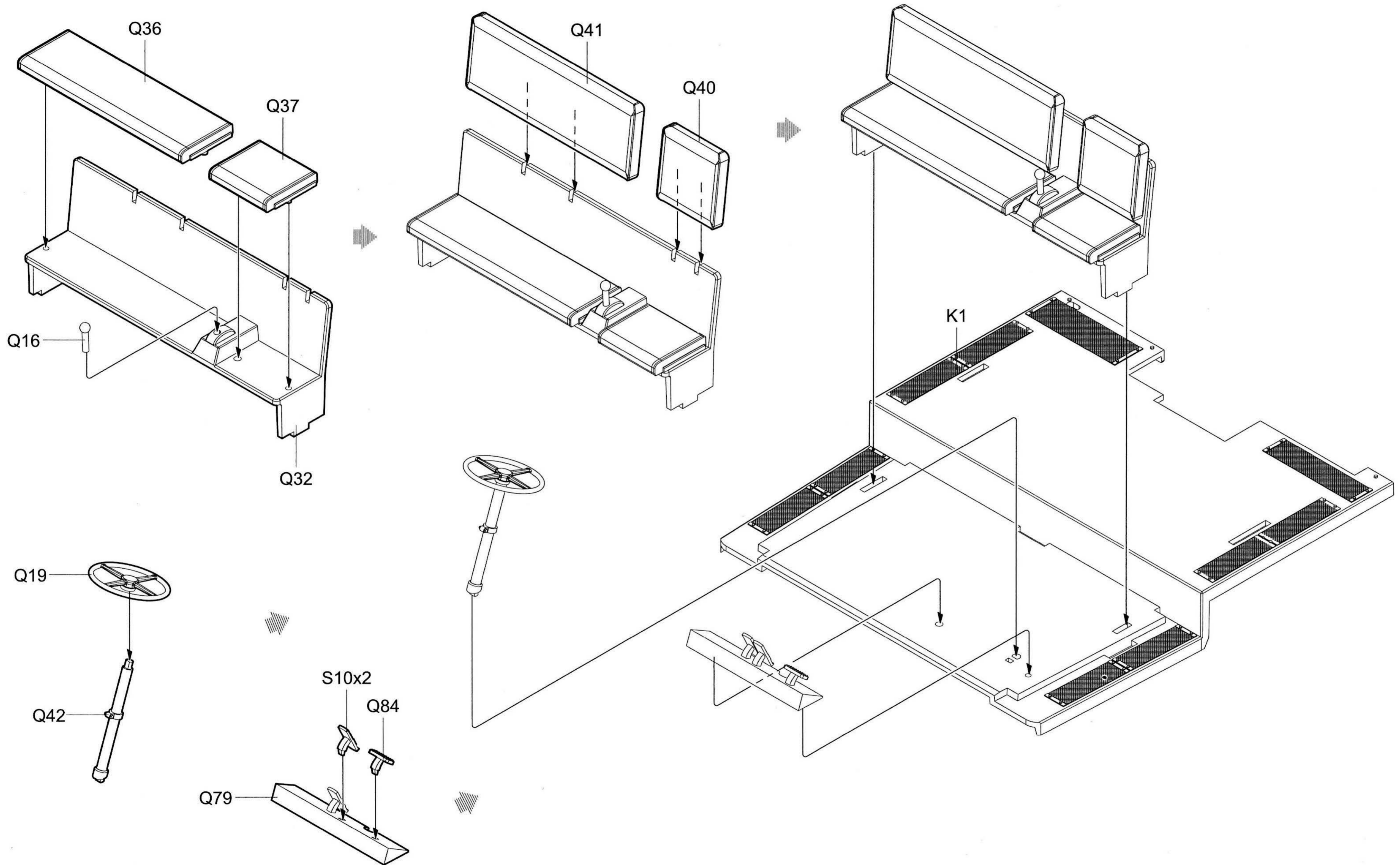


6

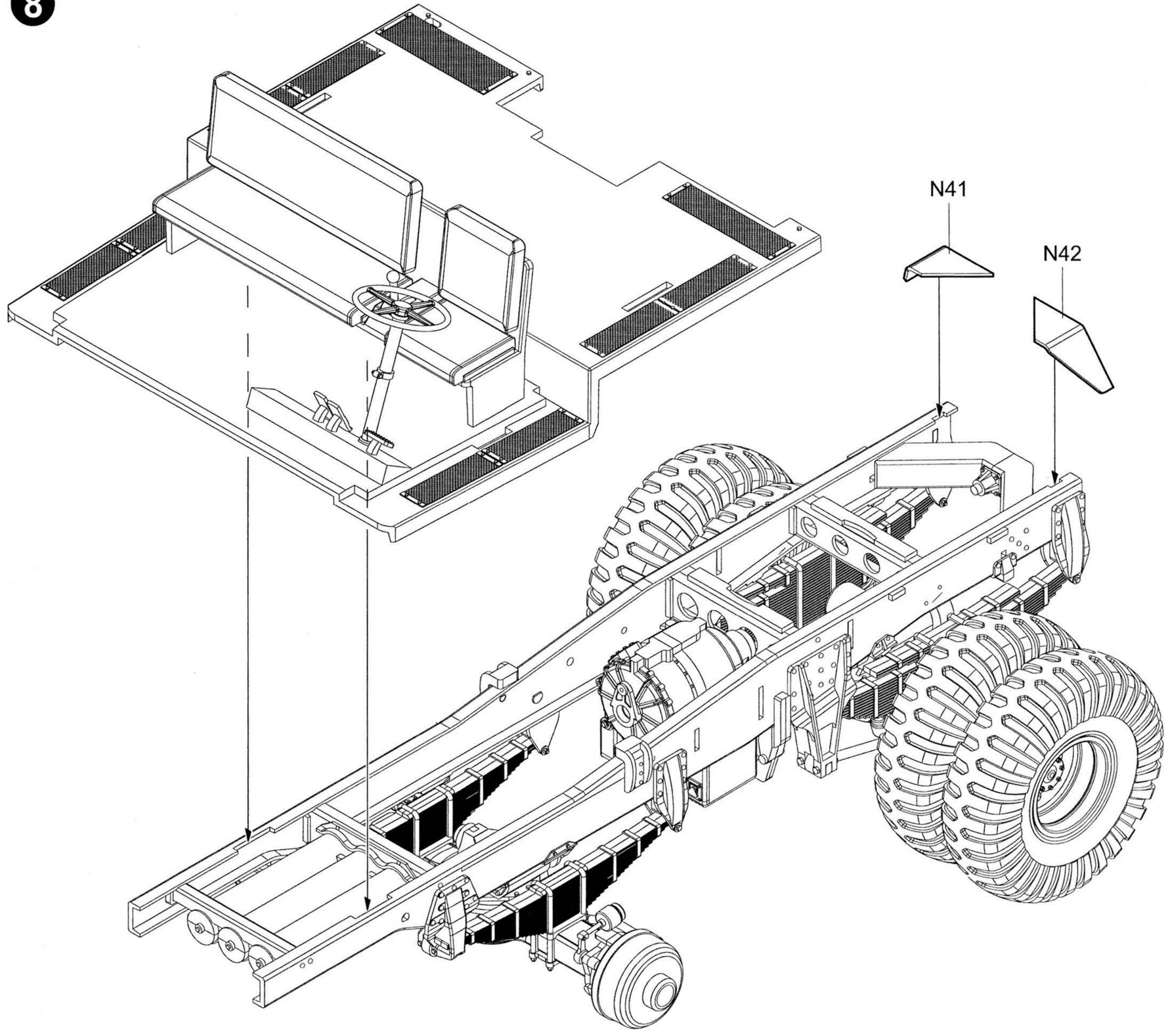




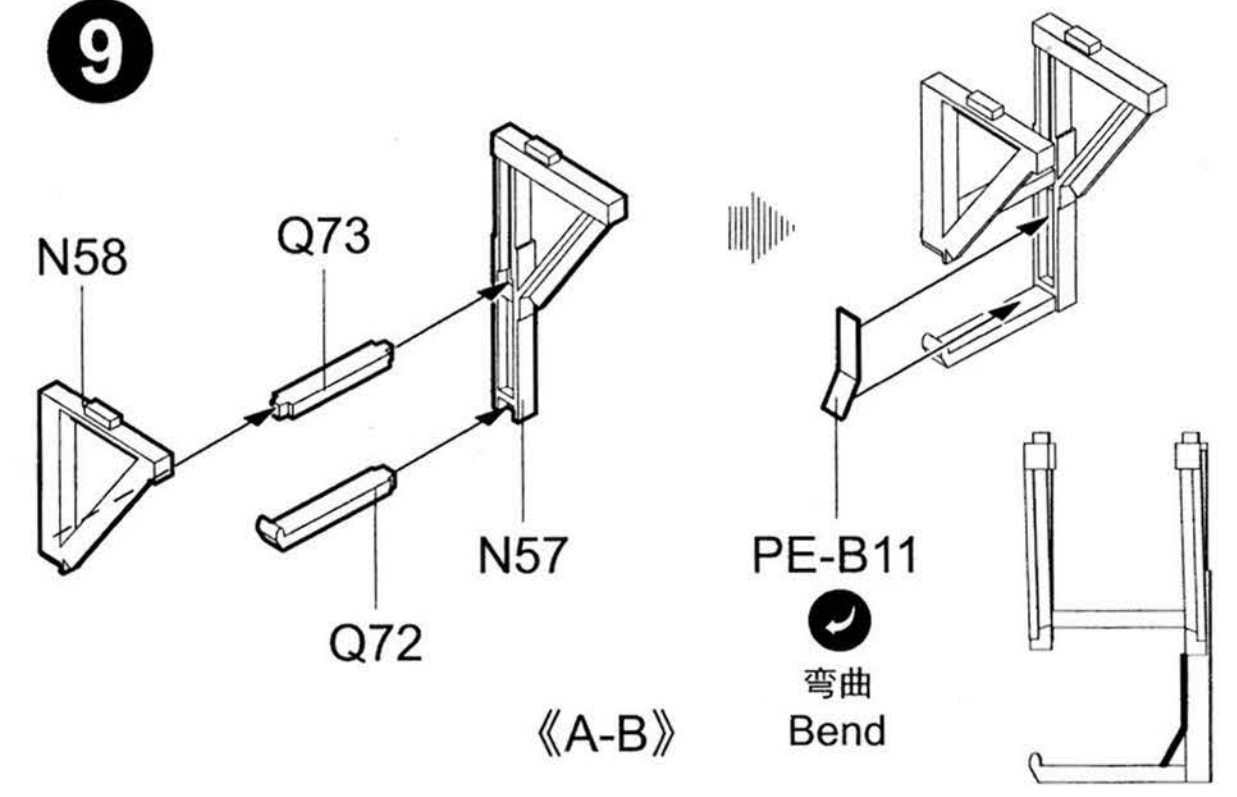
7



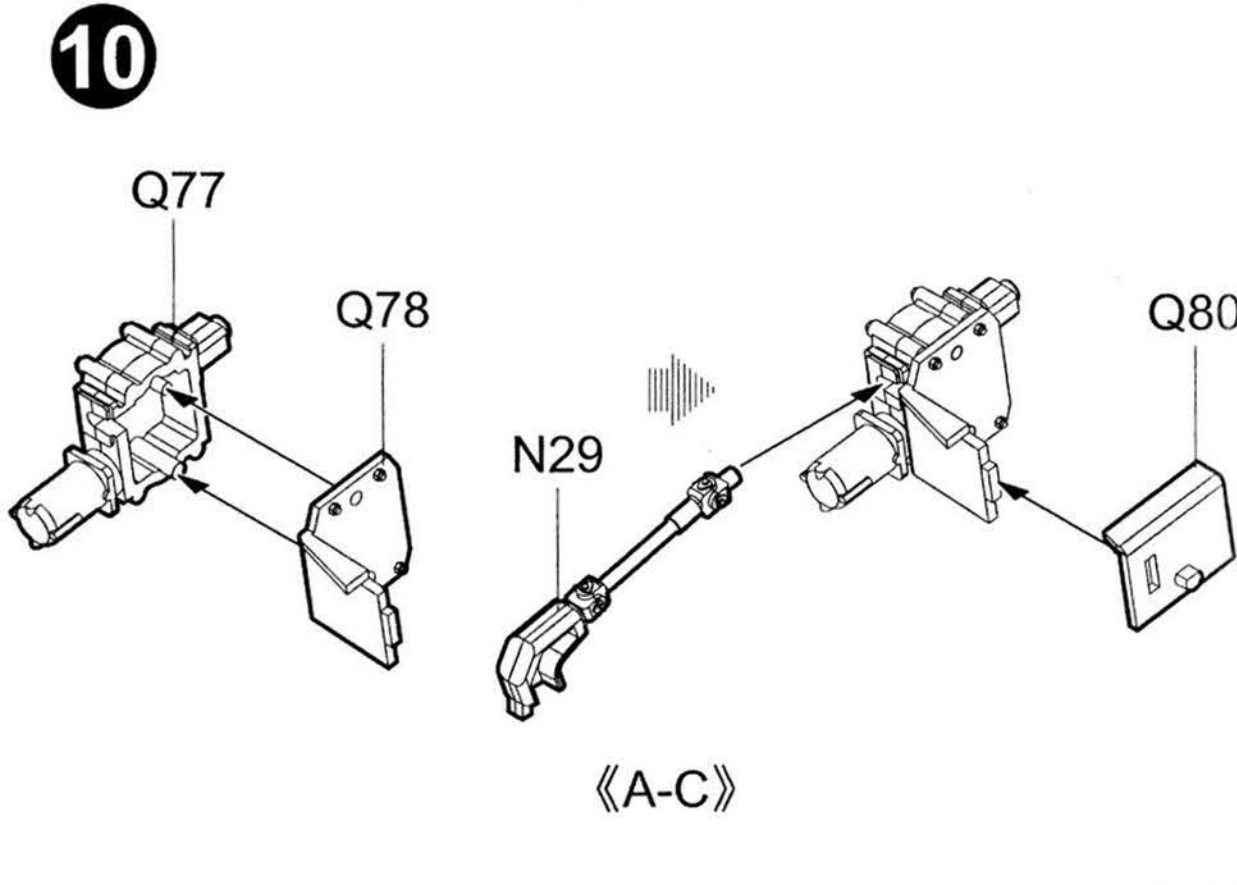
8



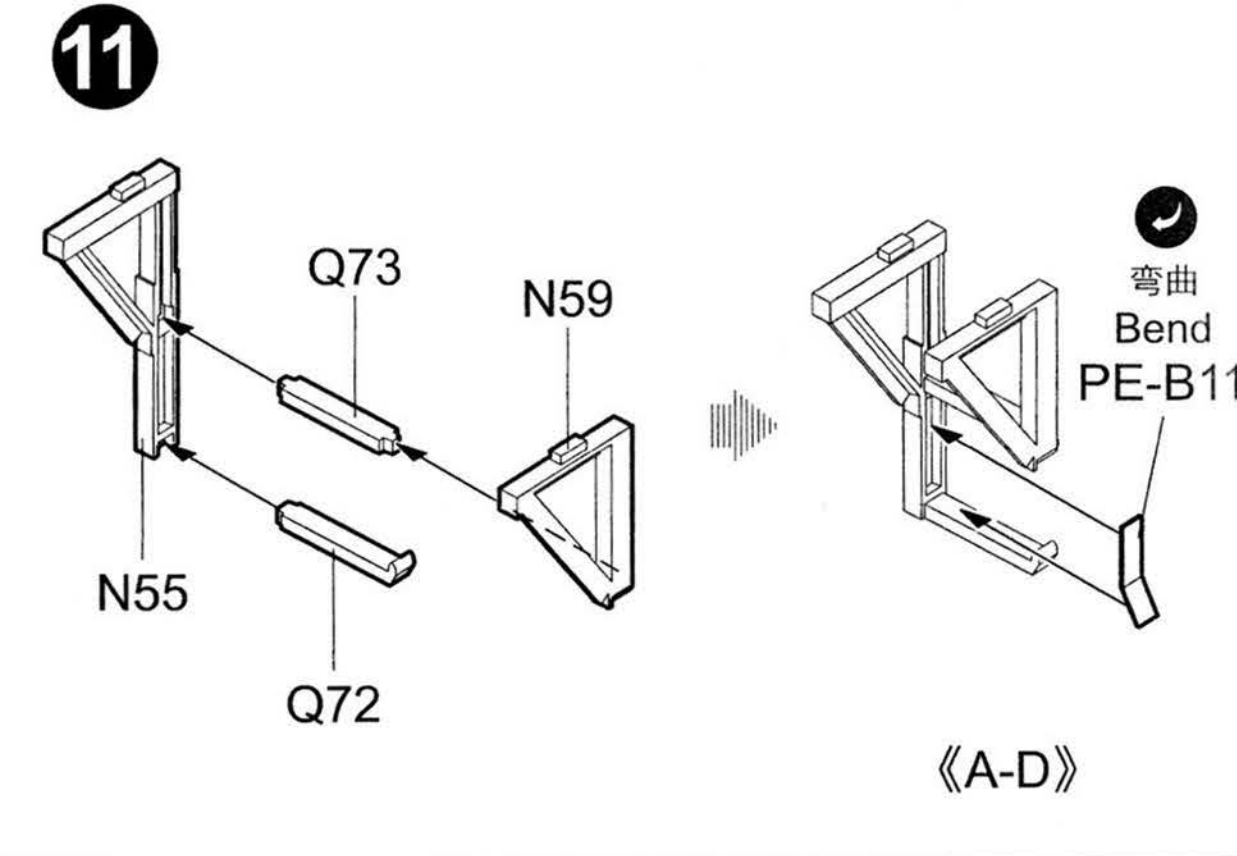
9



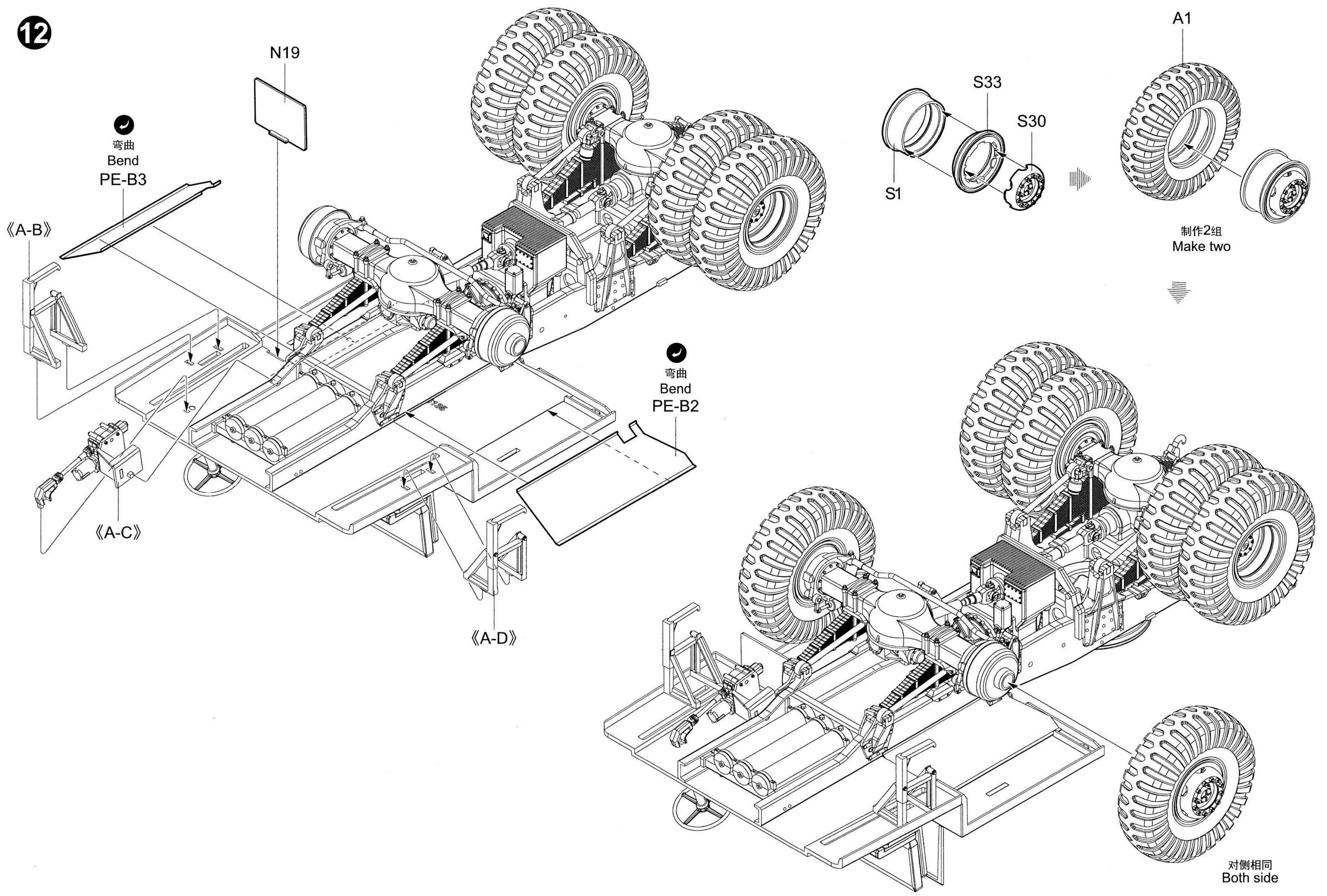
10

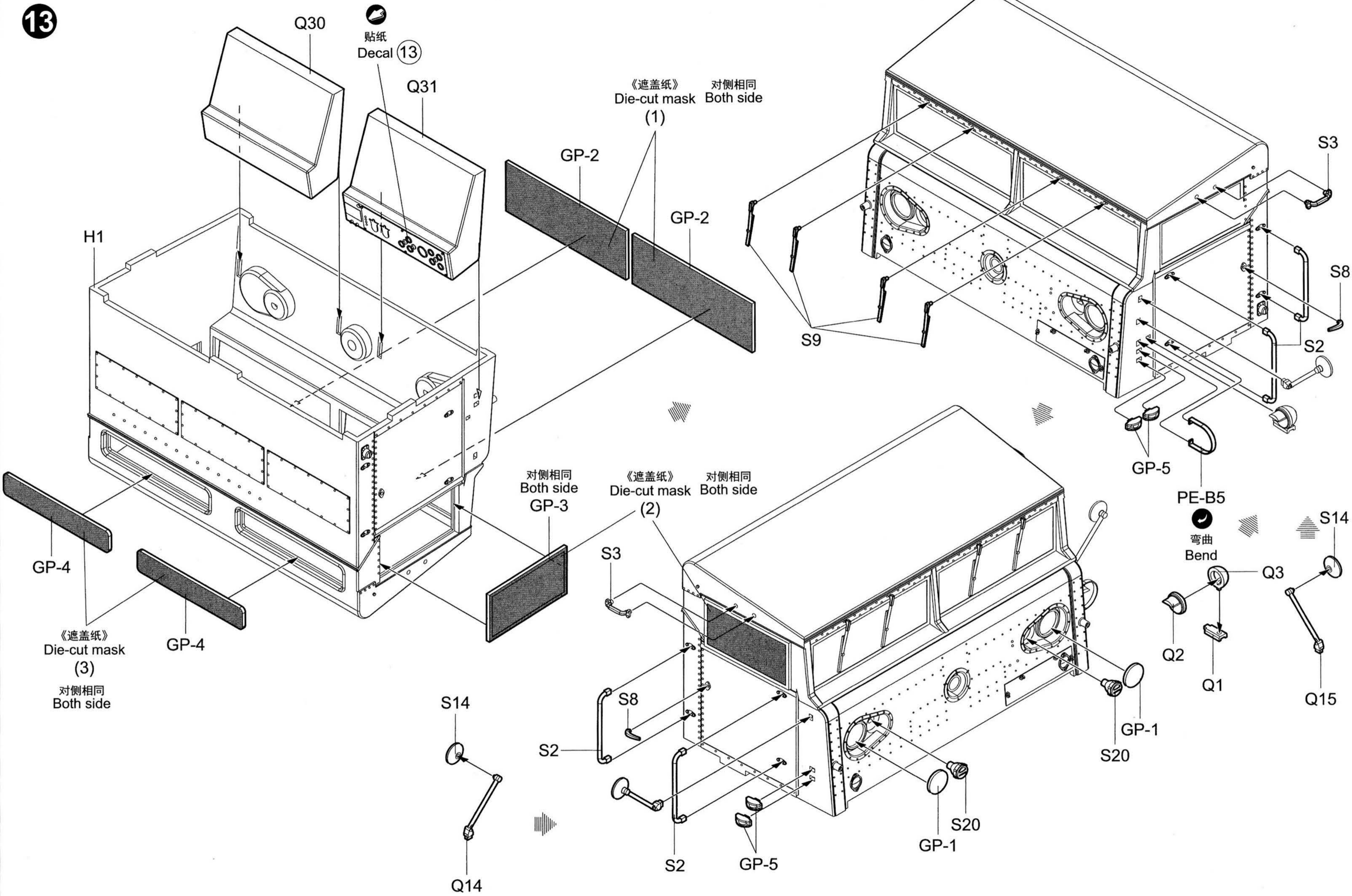


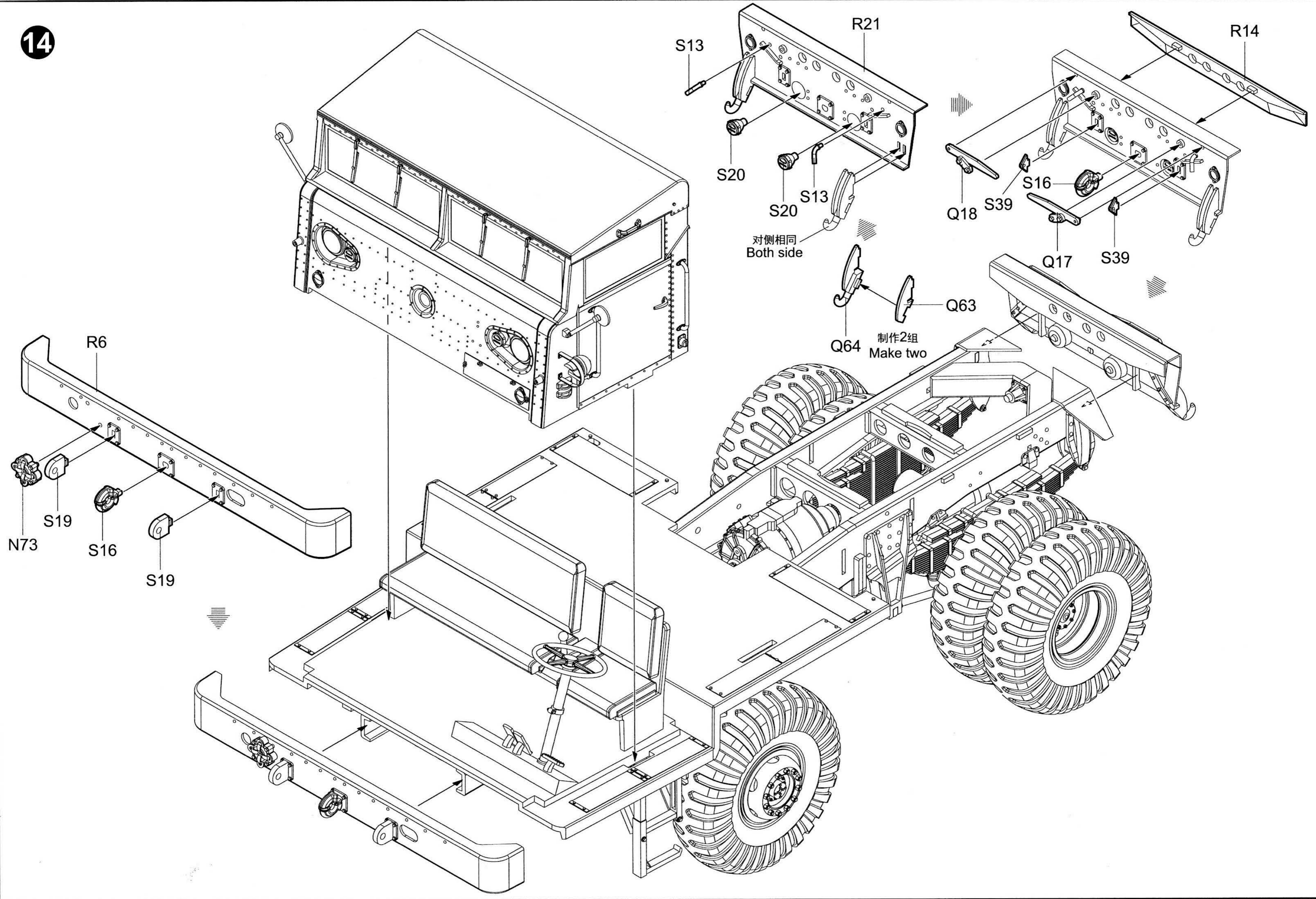
11

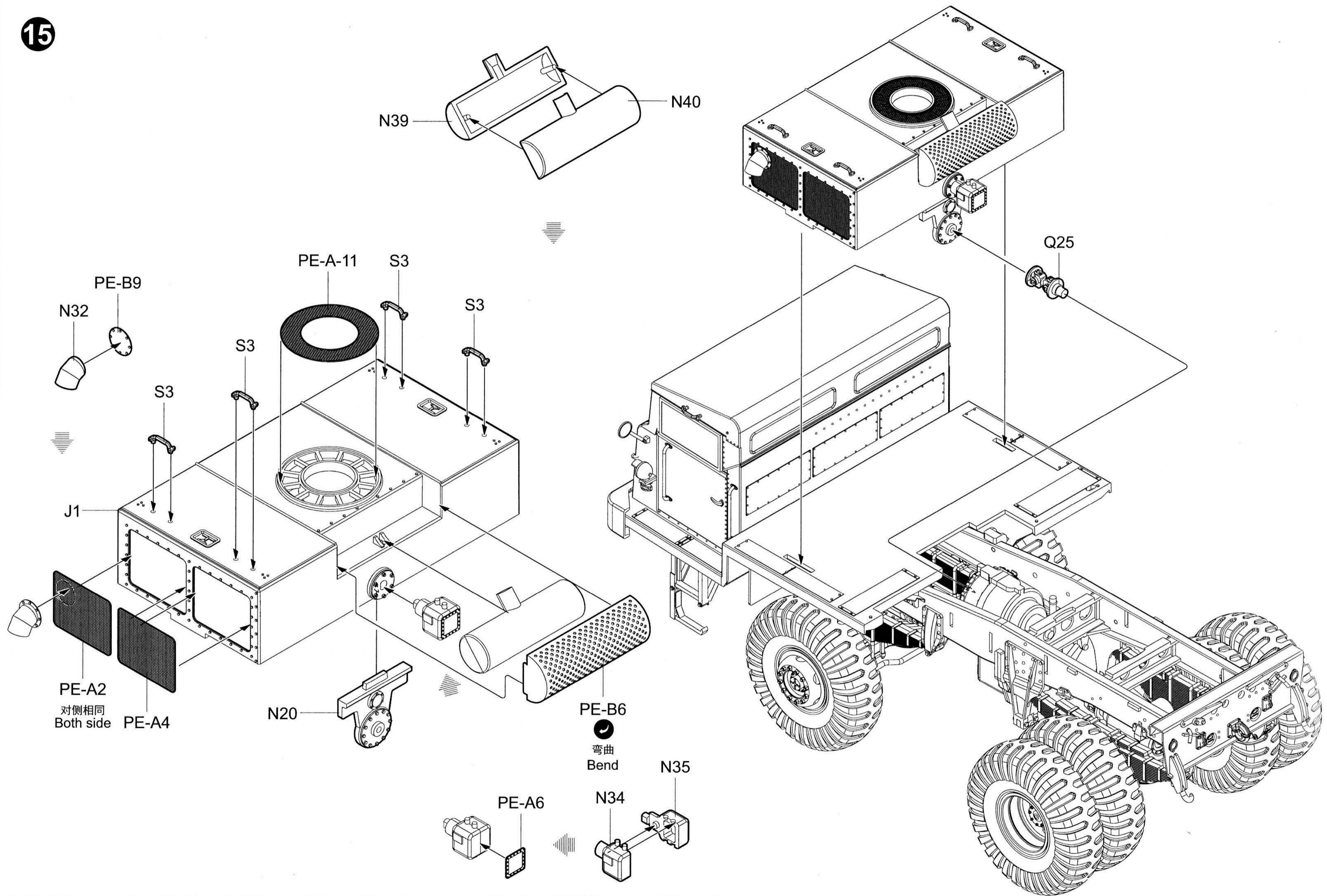


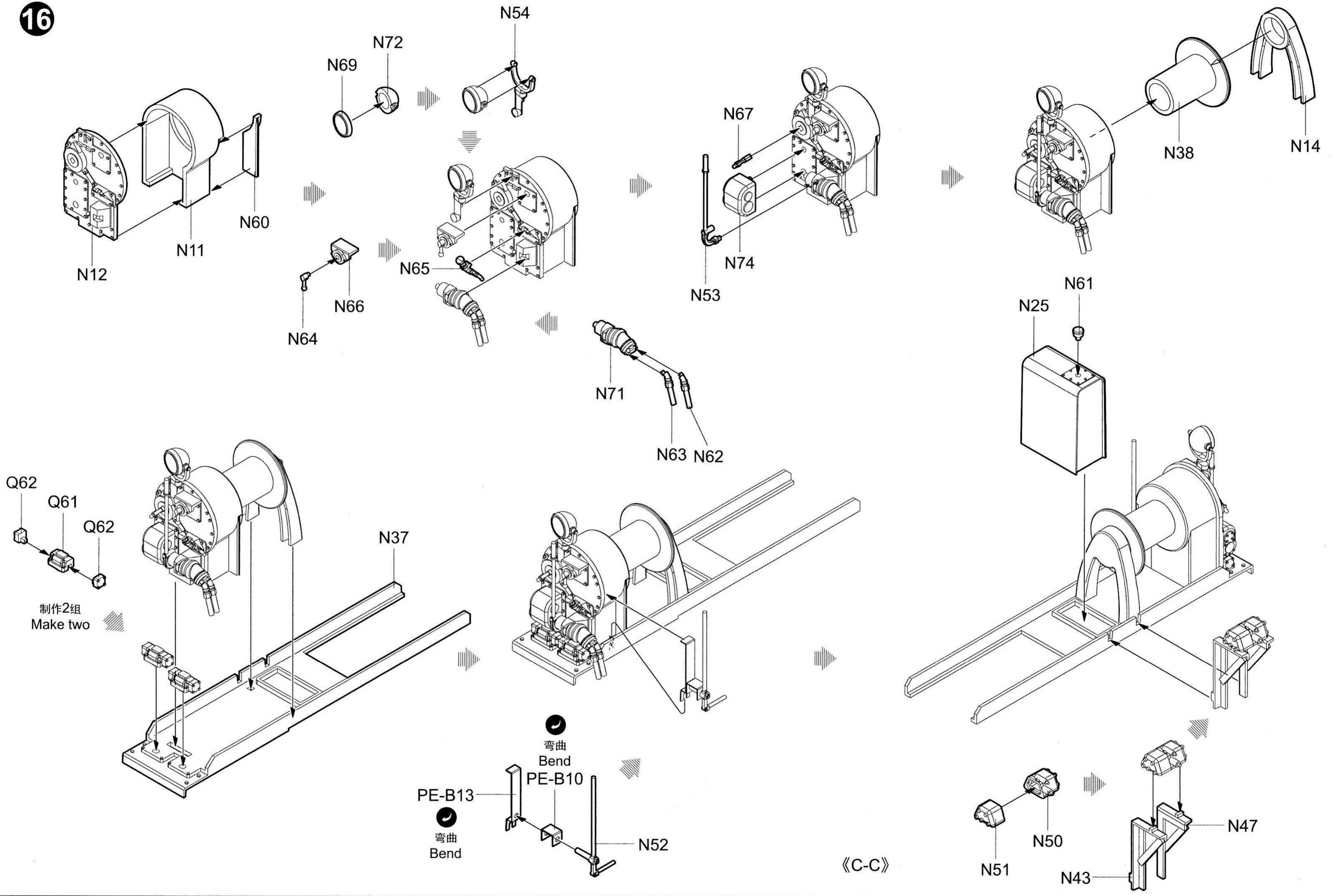
12



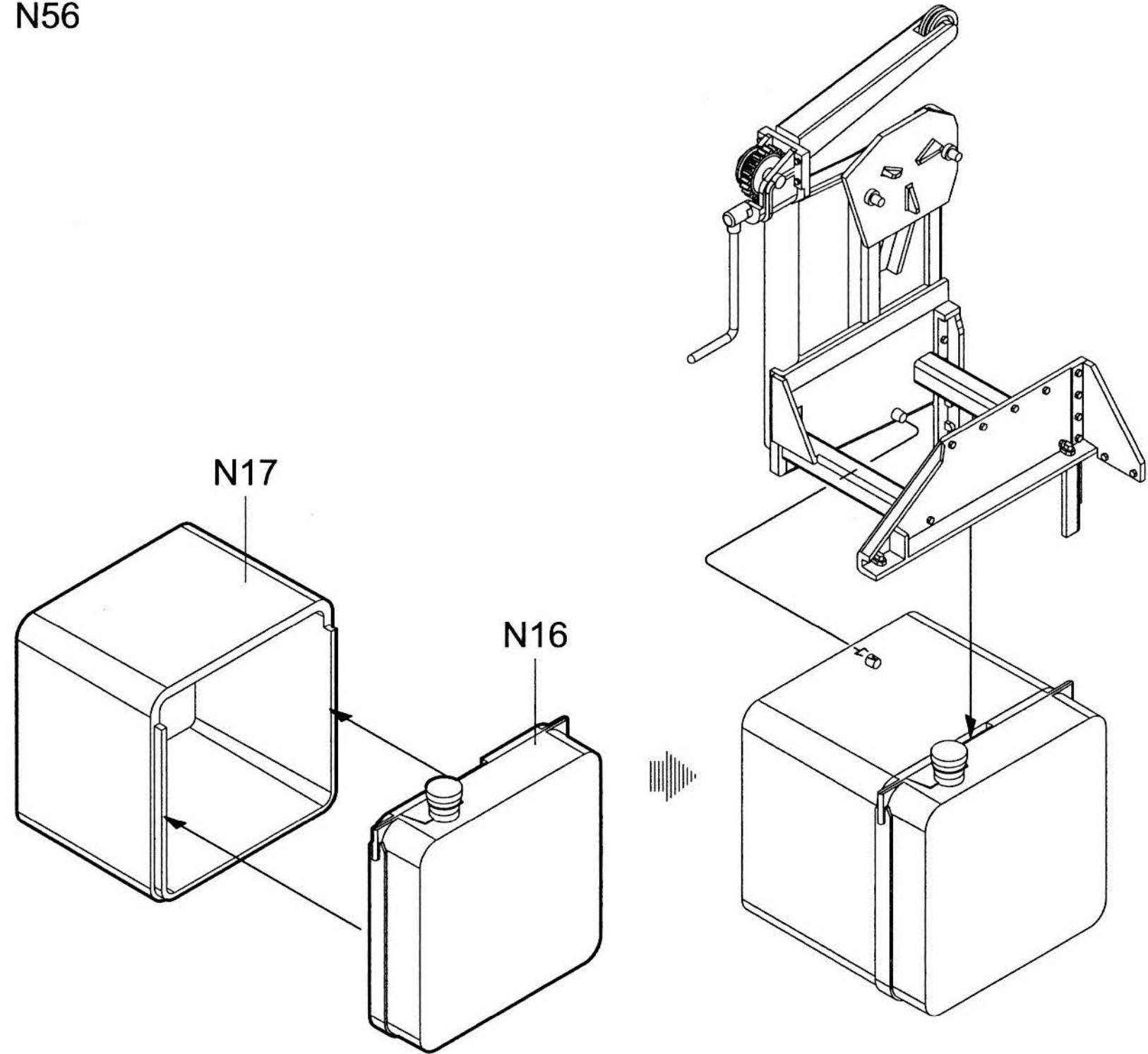
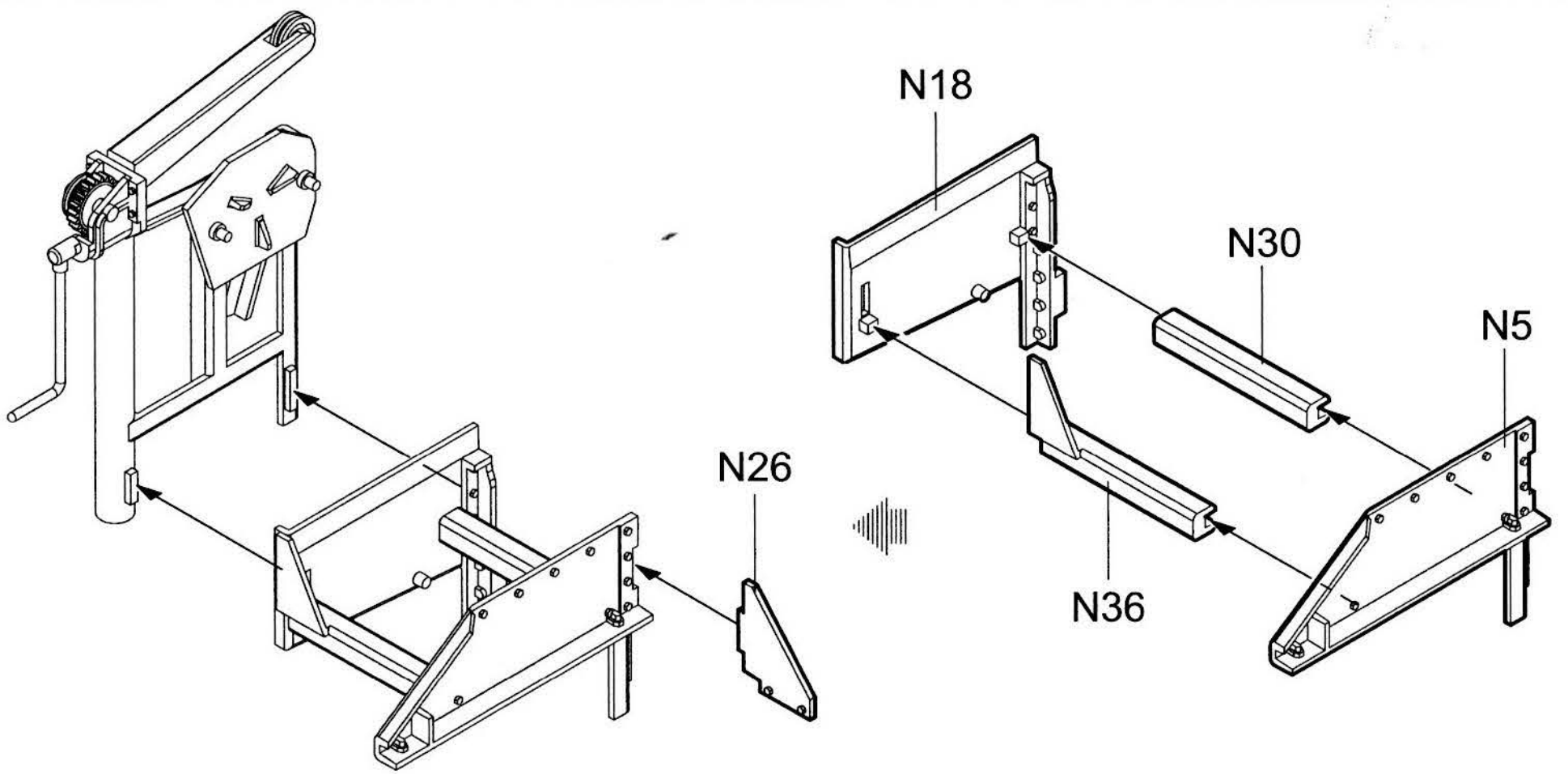
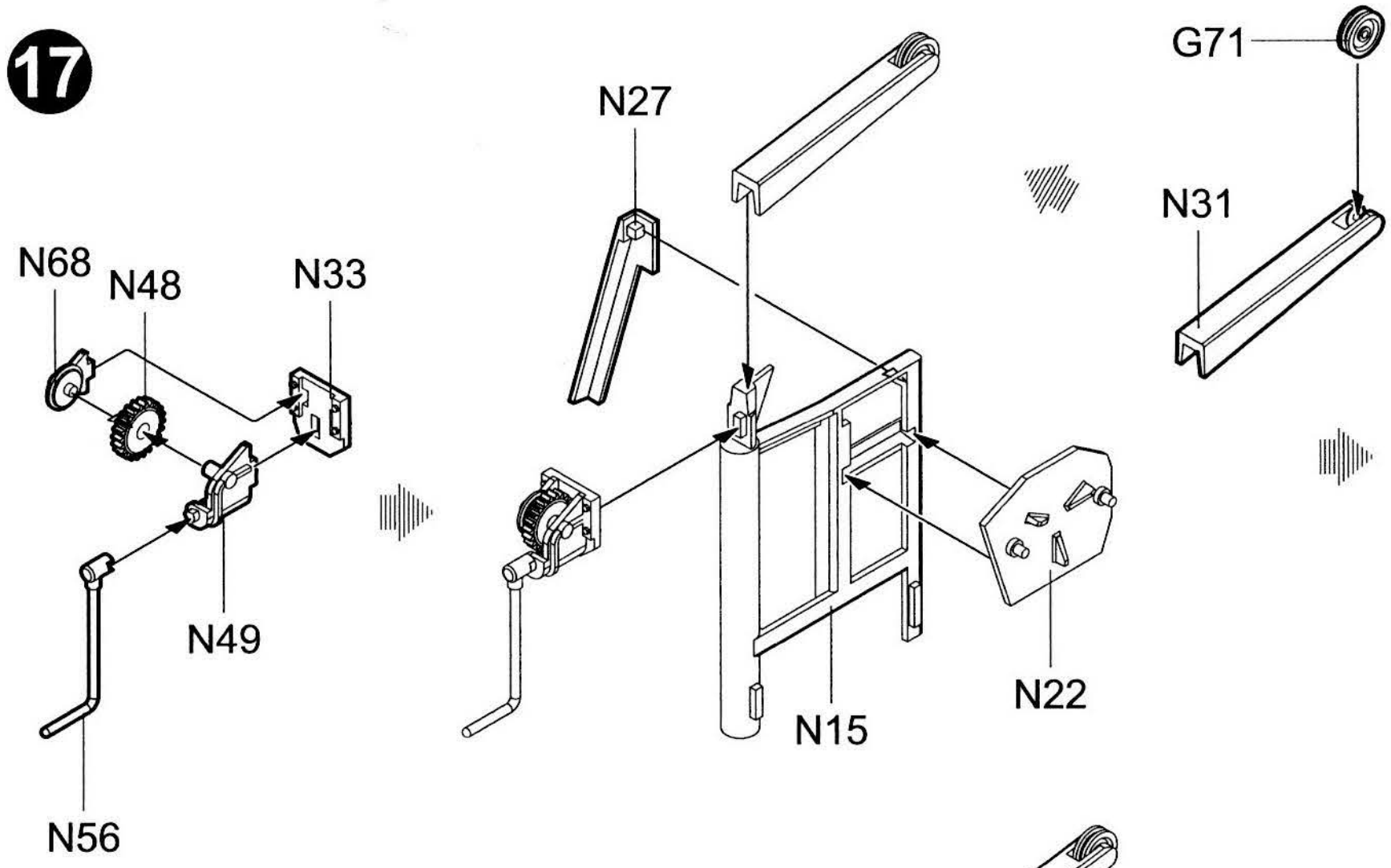






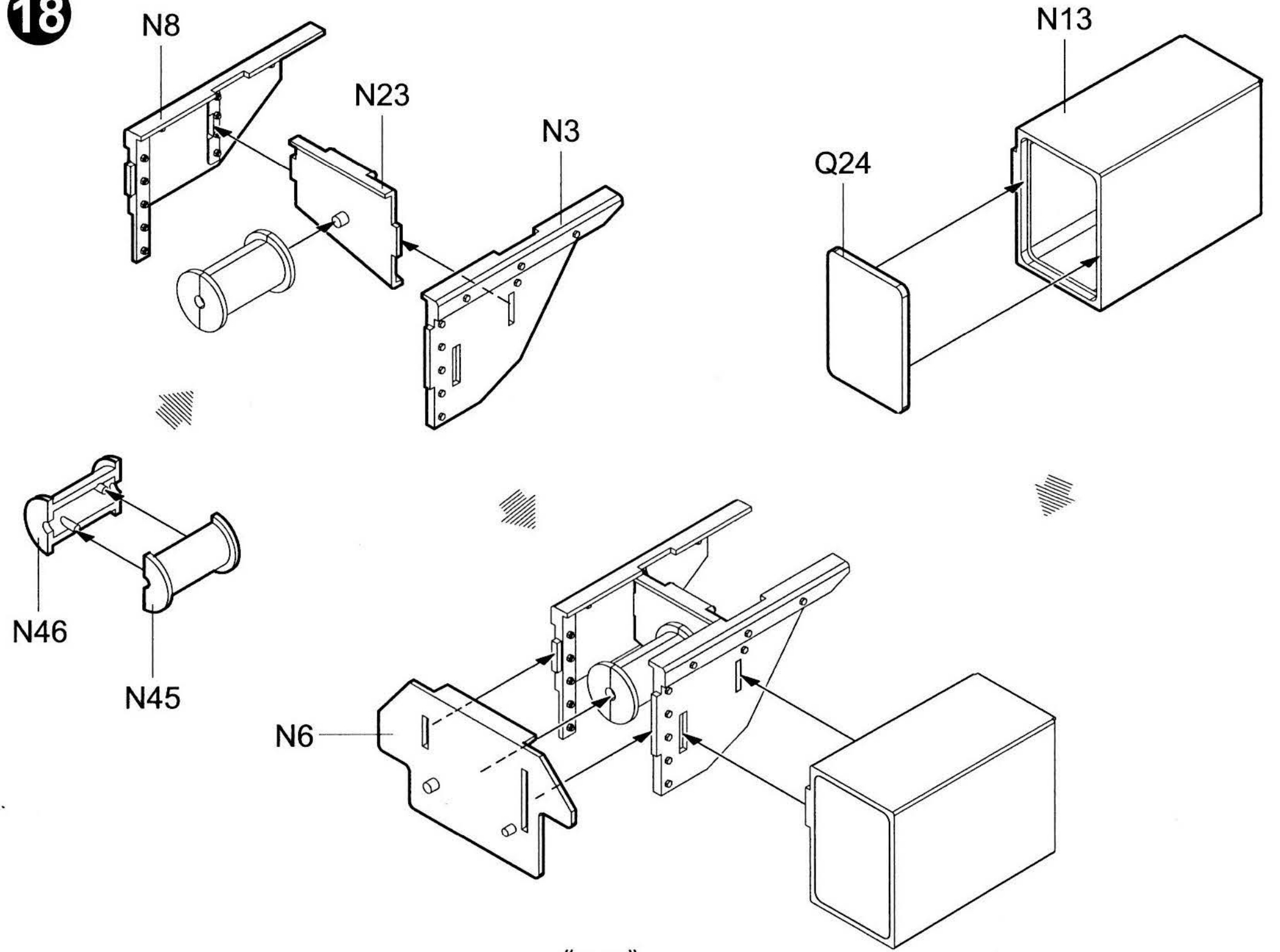


17



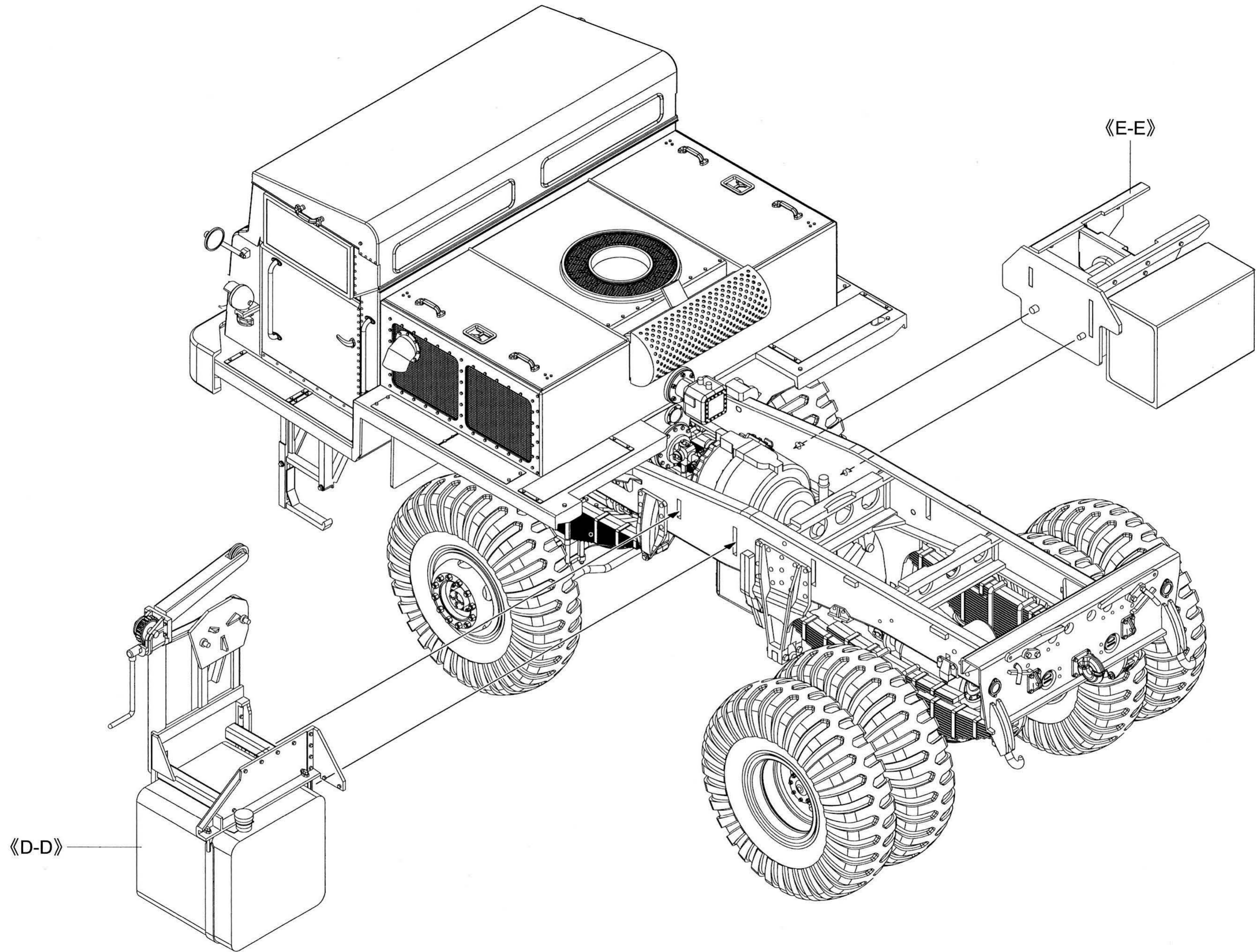
《D-D》

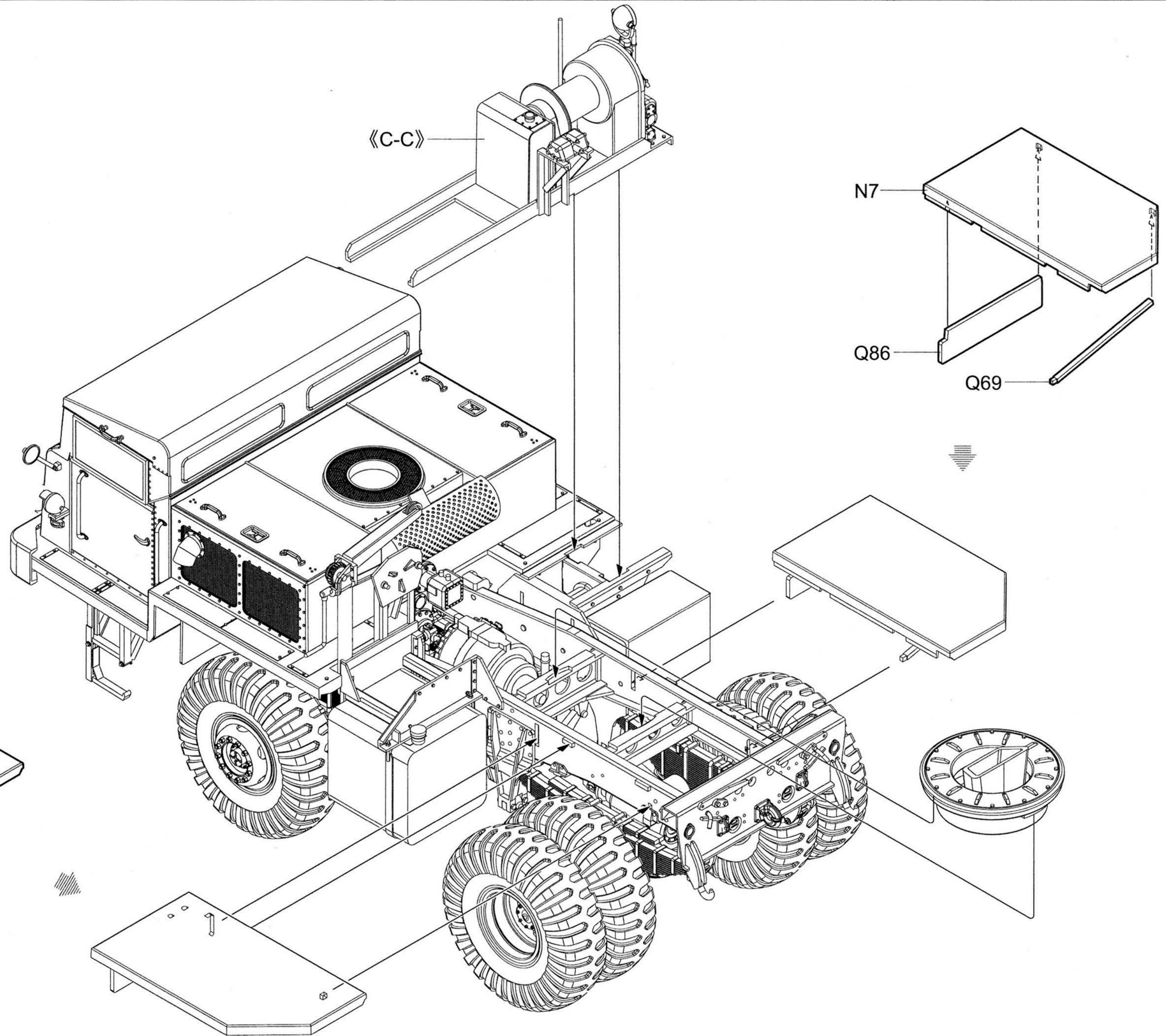
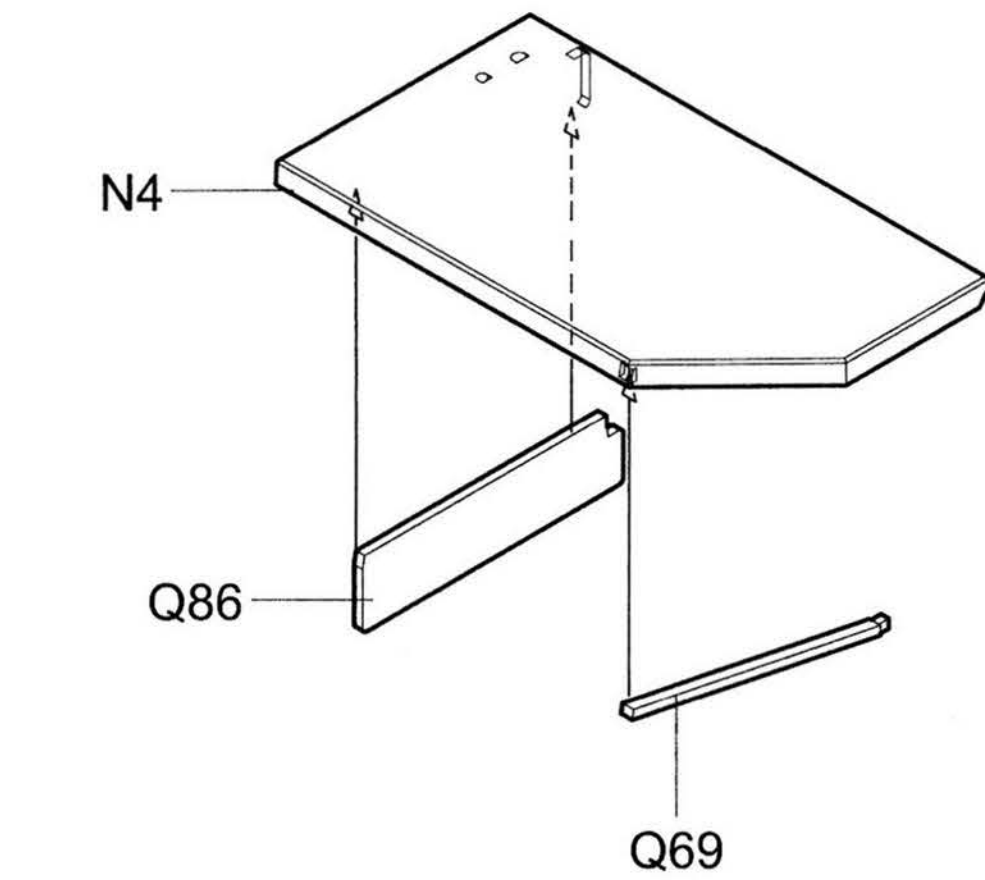
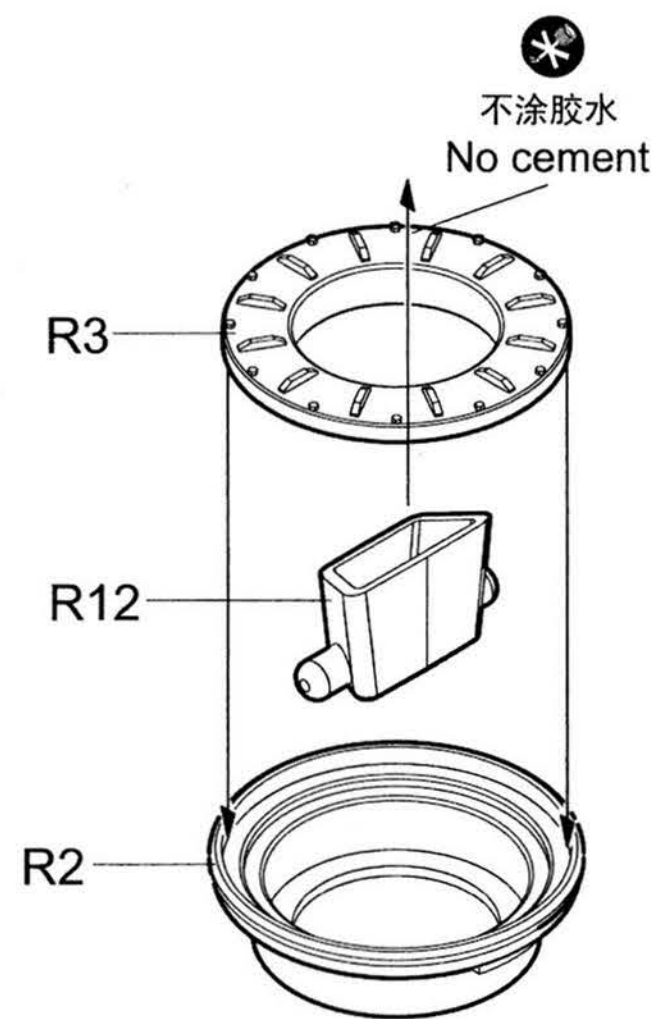
18



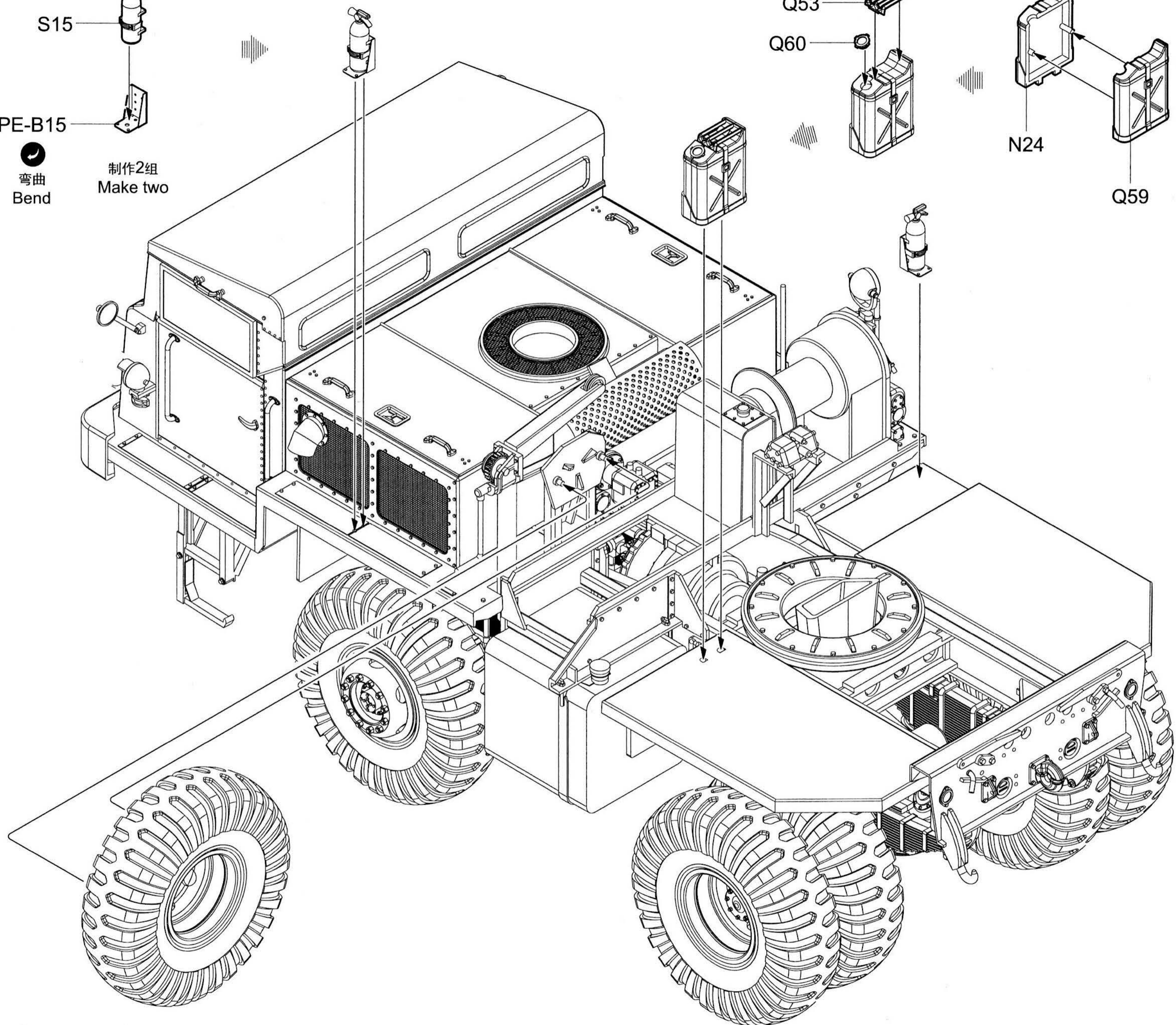
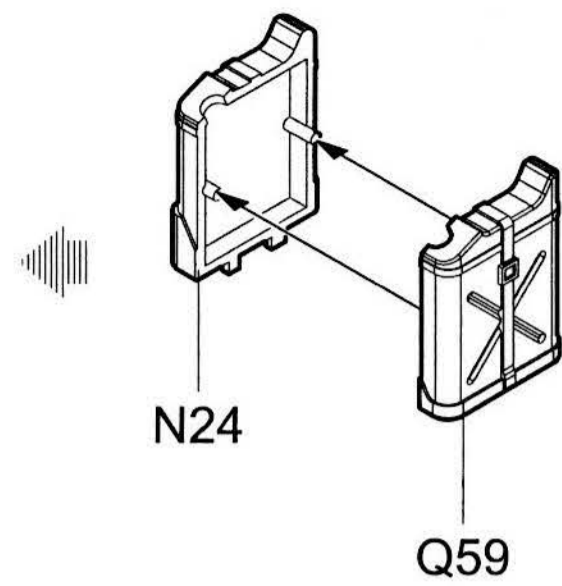
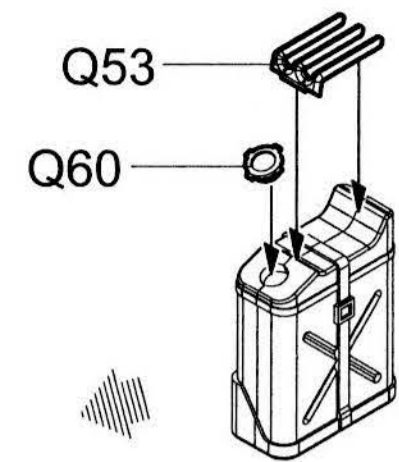
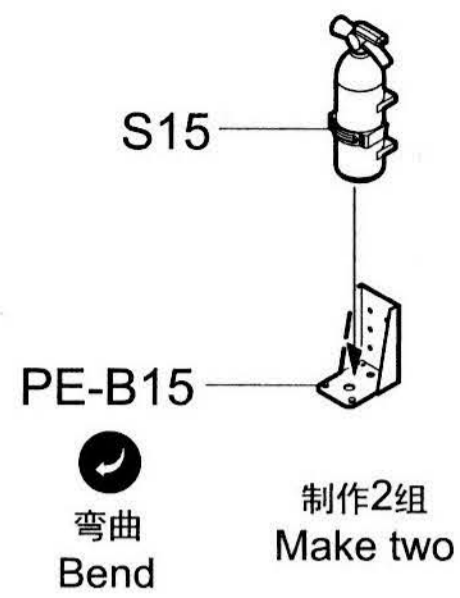
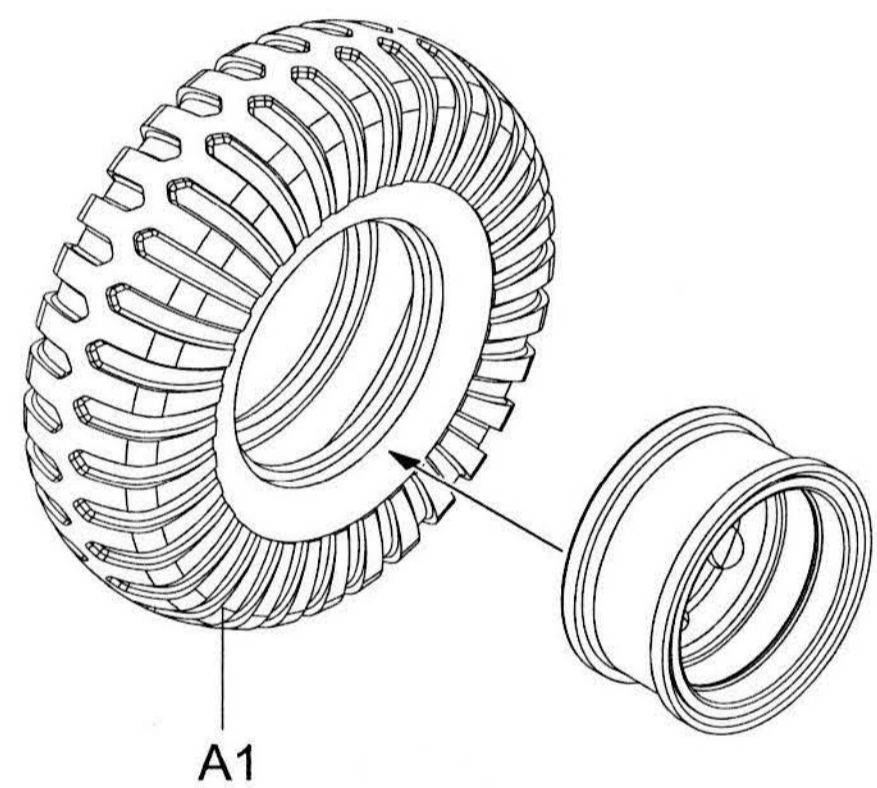
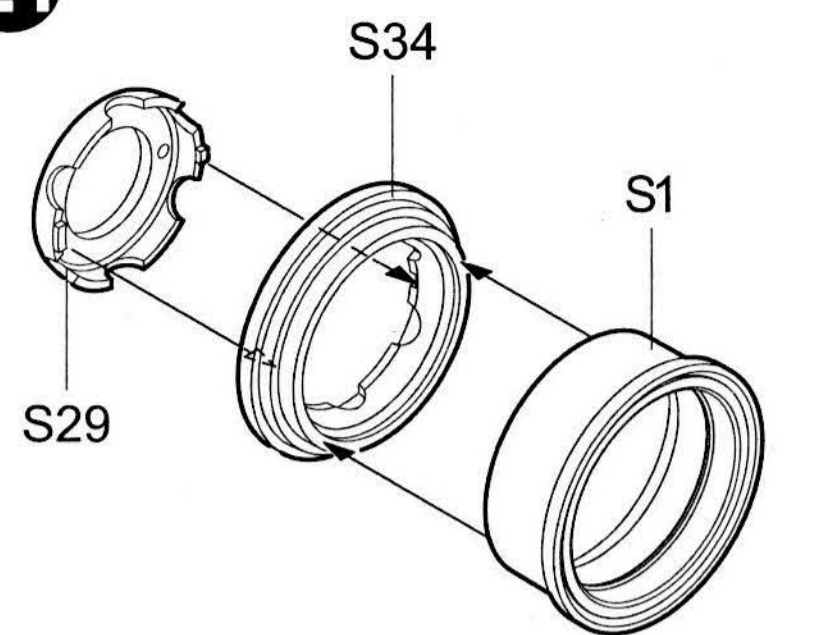
《E-E》

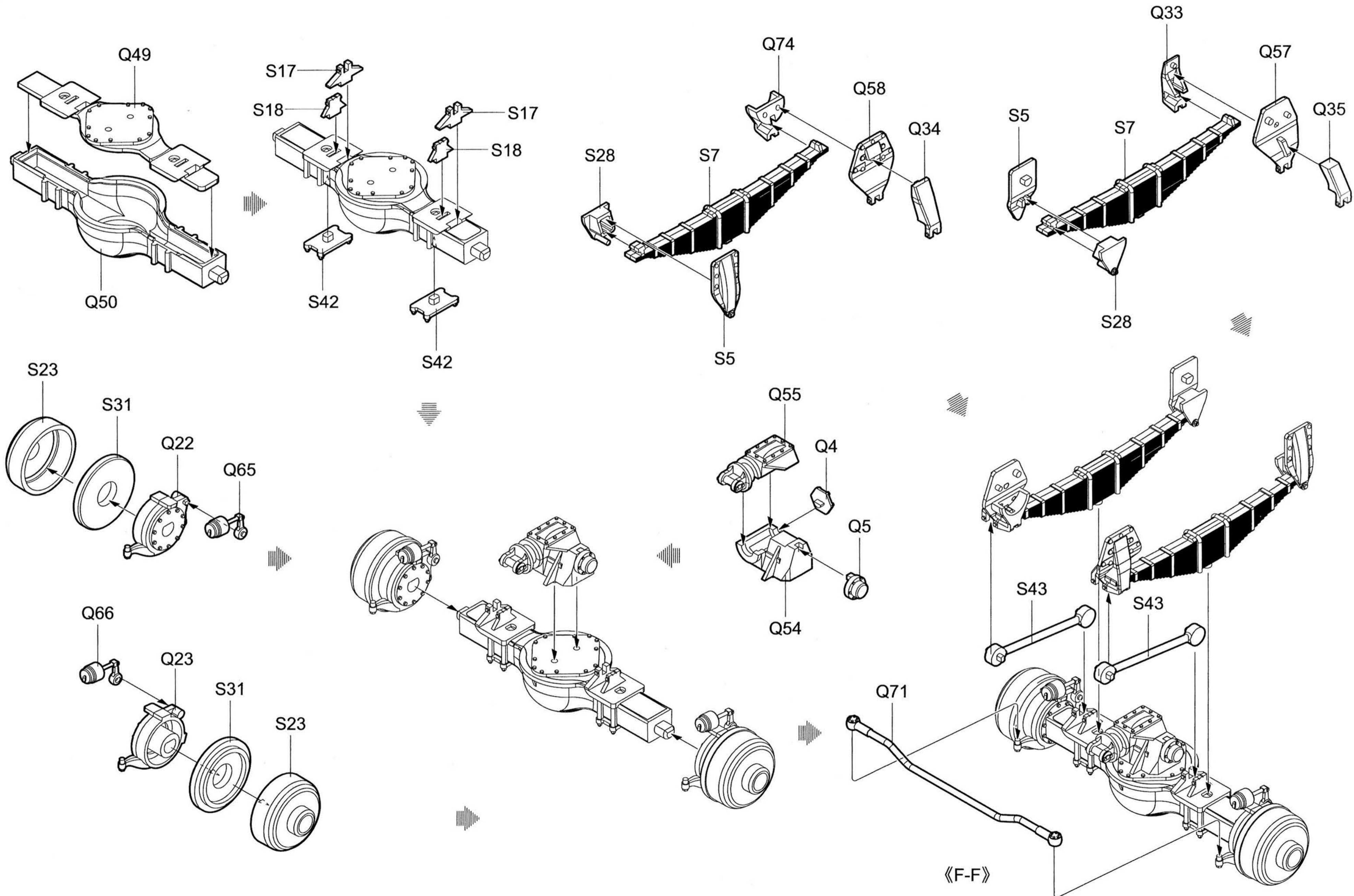


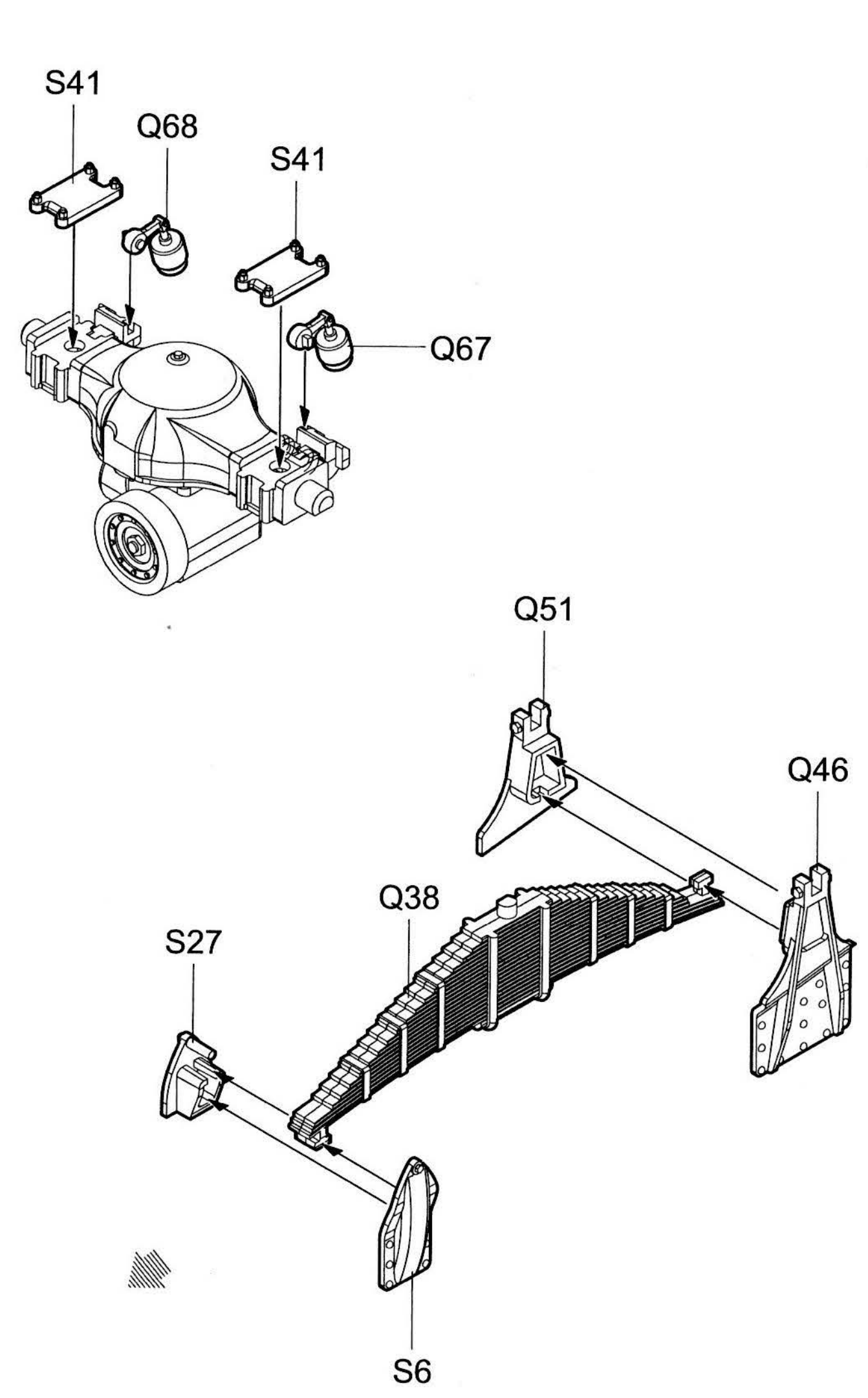
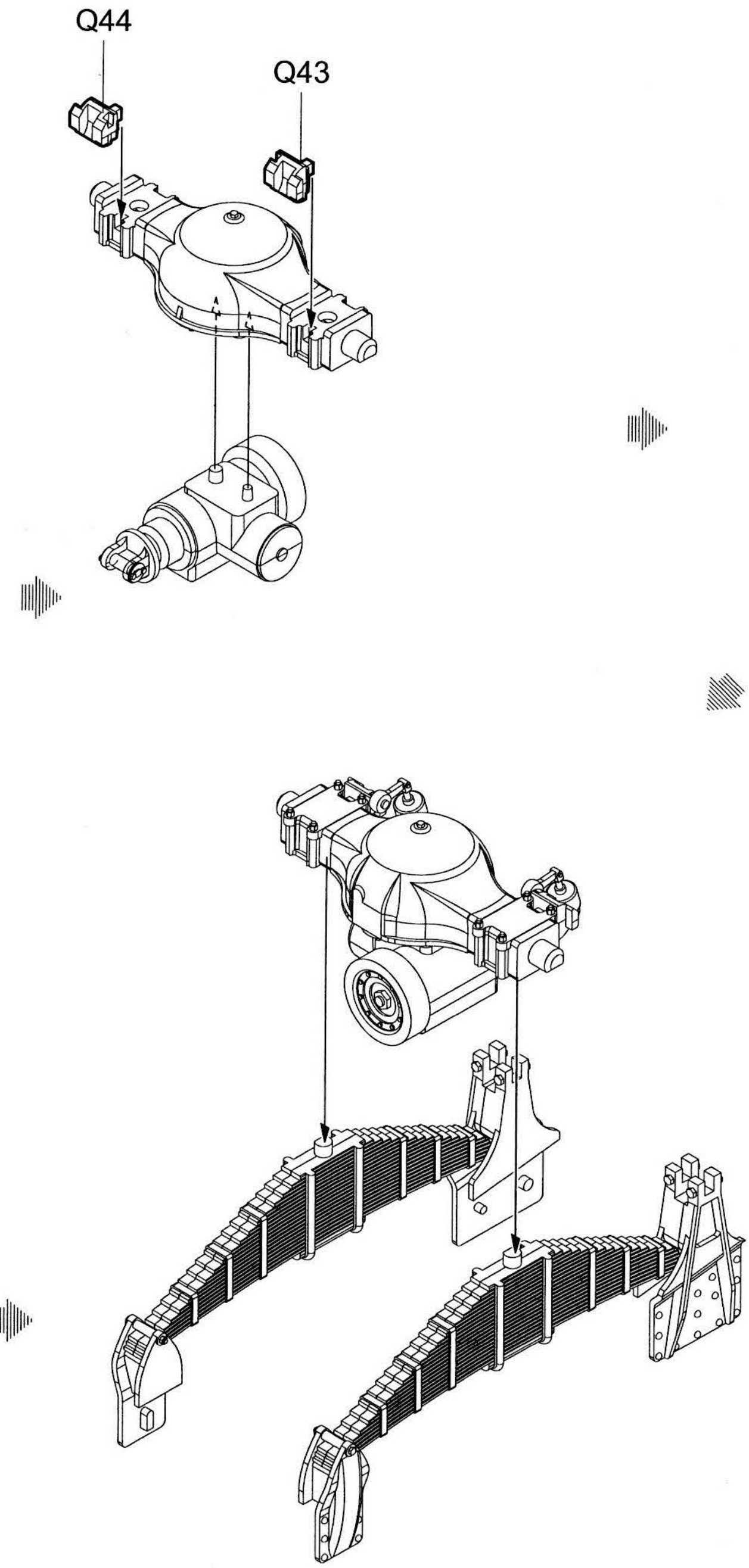
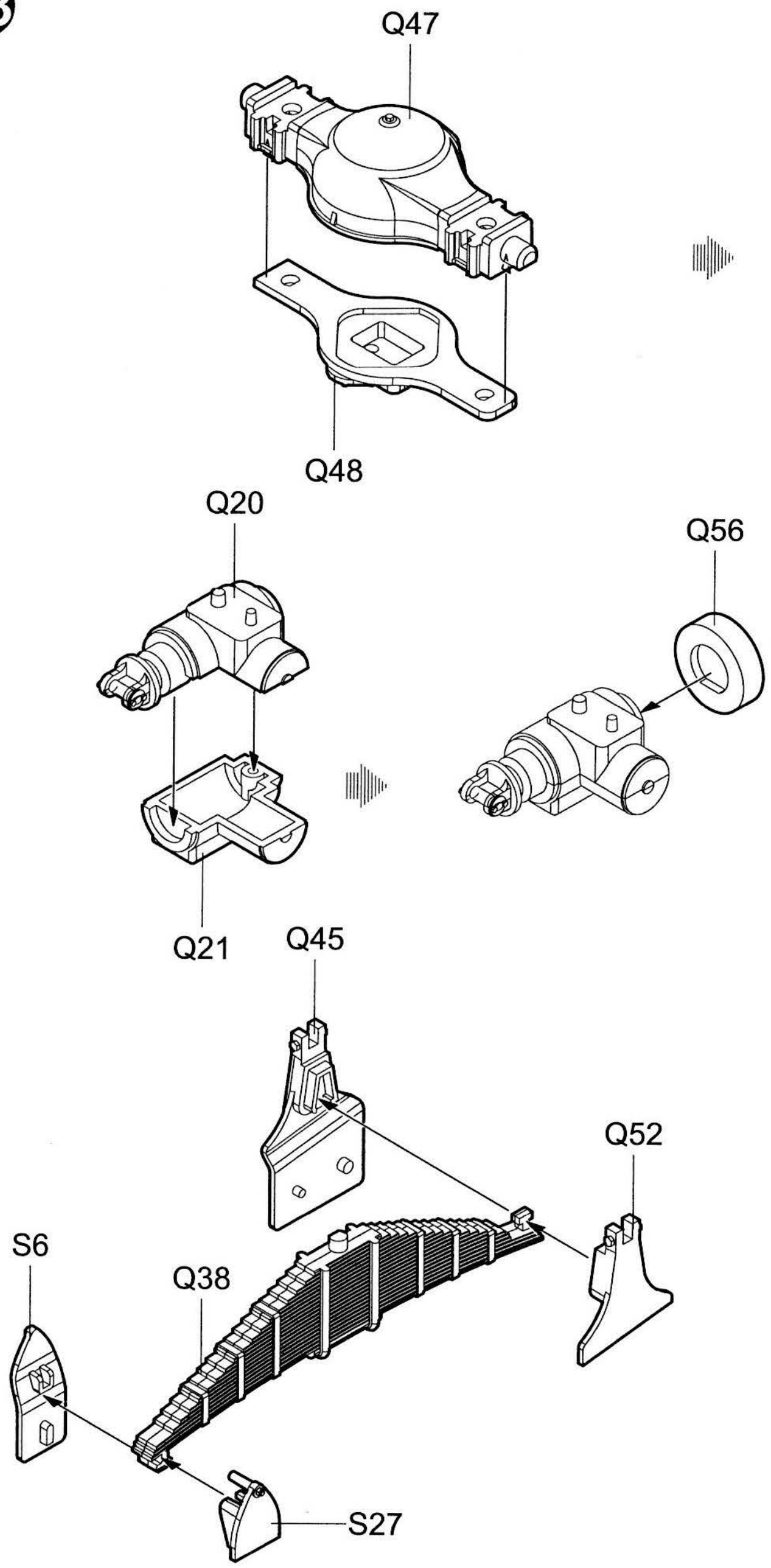




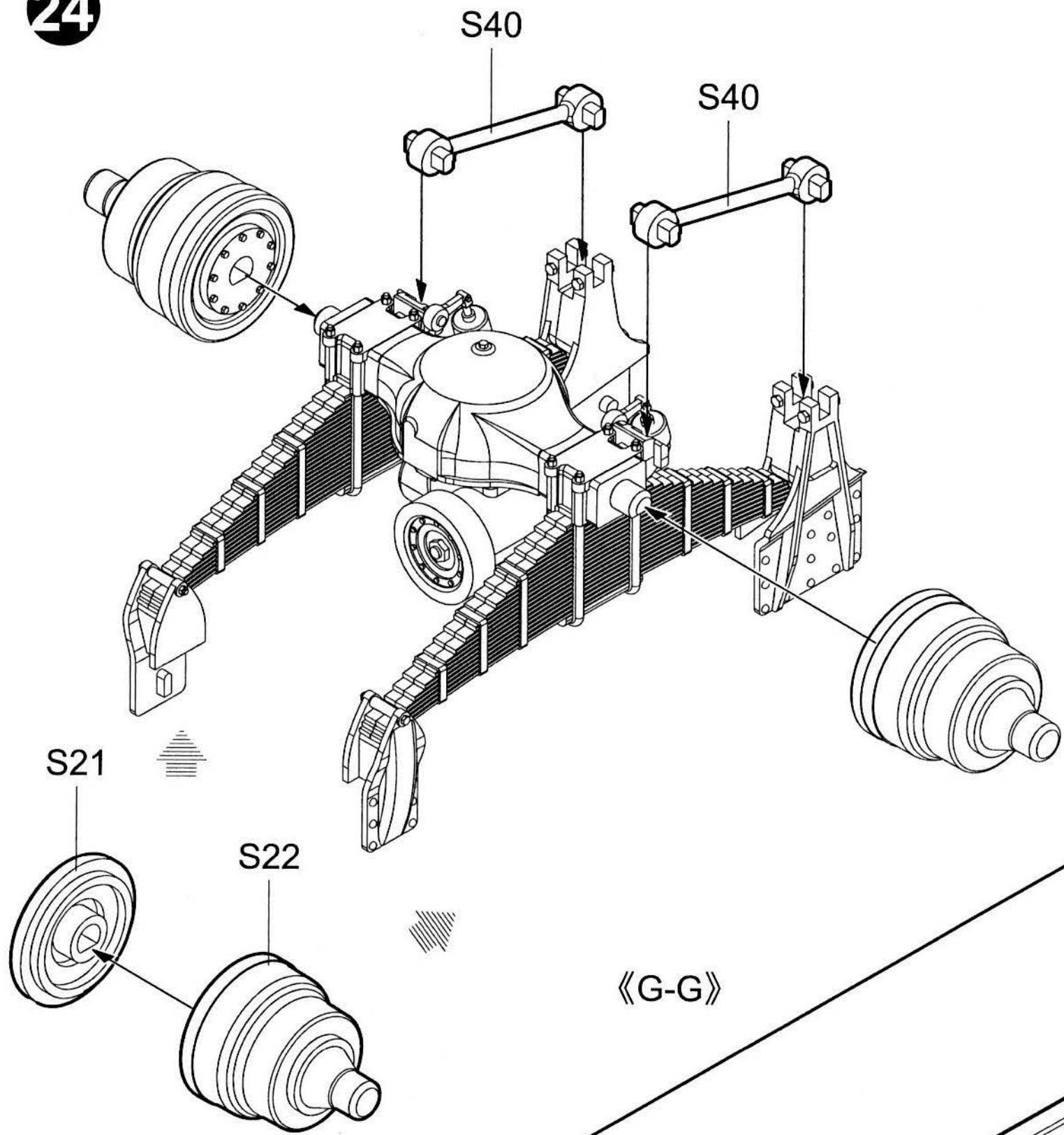
21





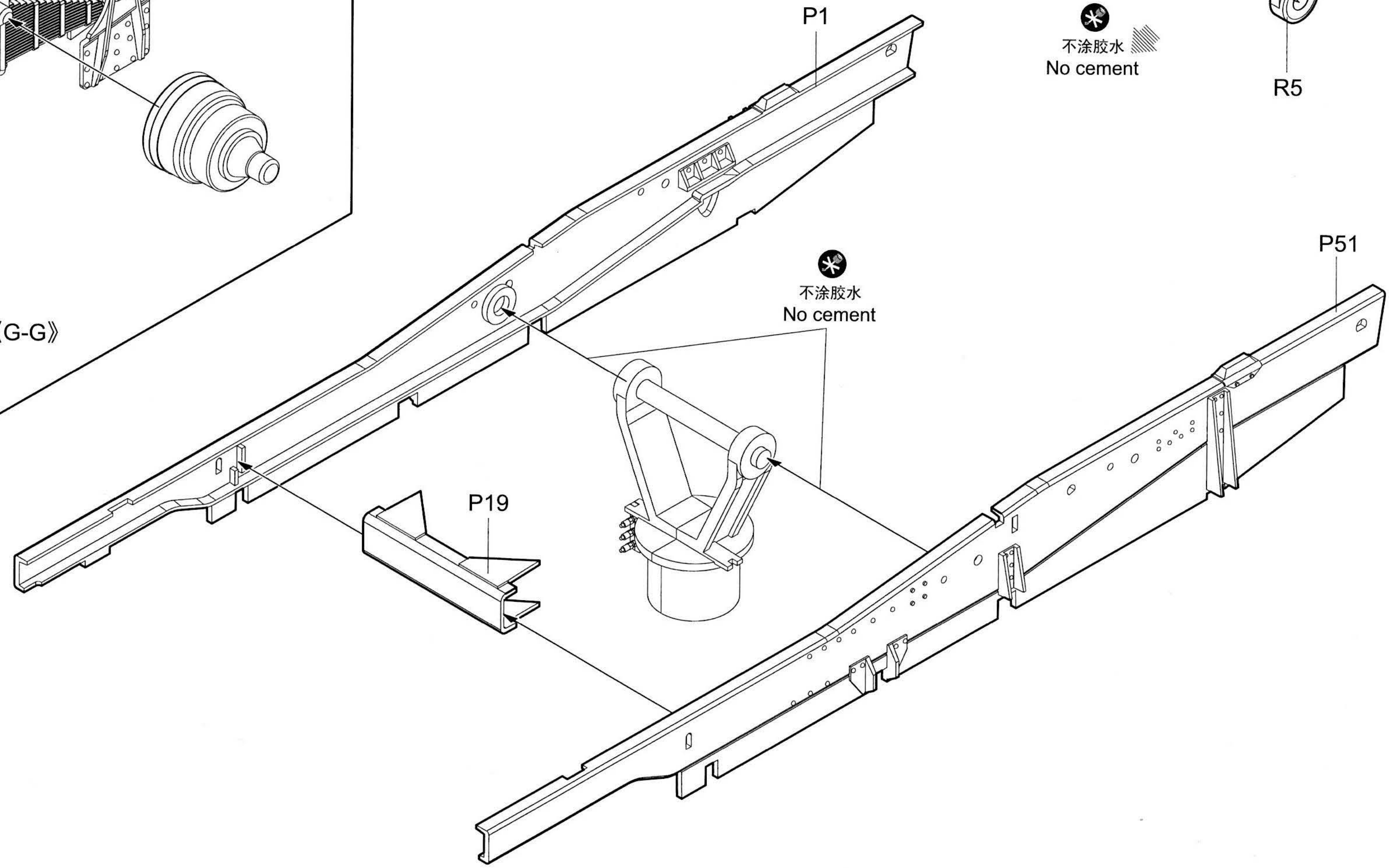


24

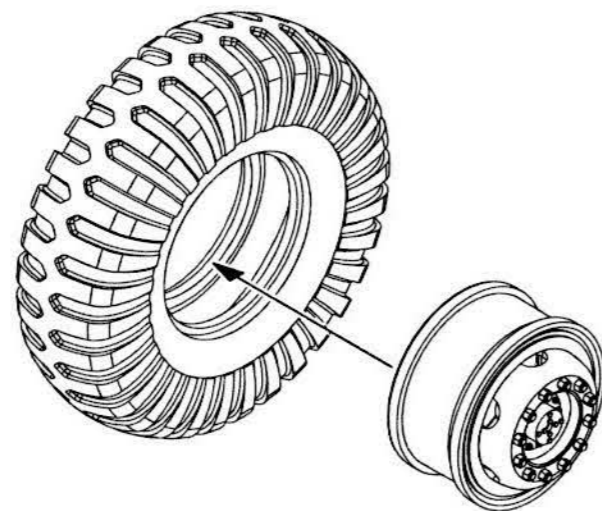
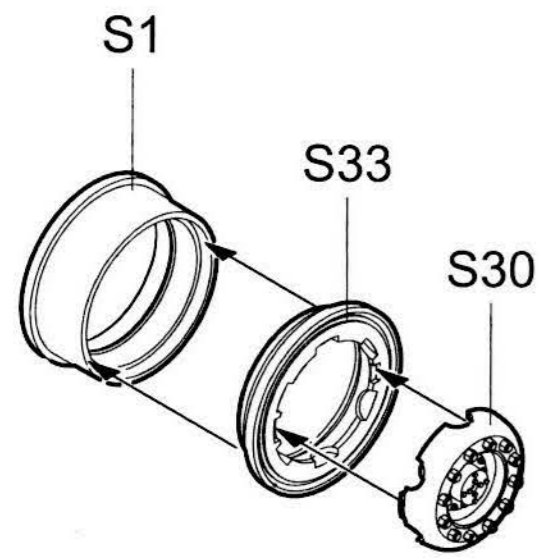


制作2组  
Make two

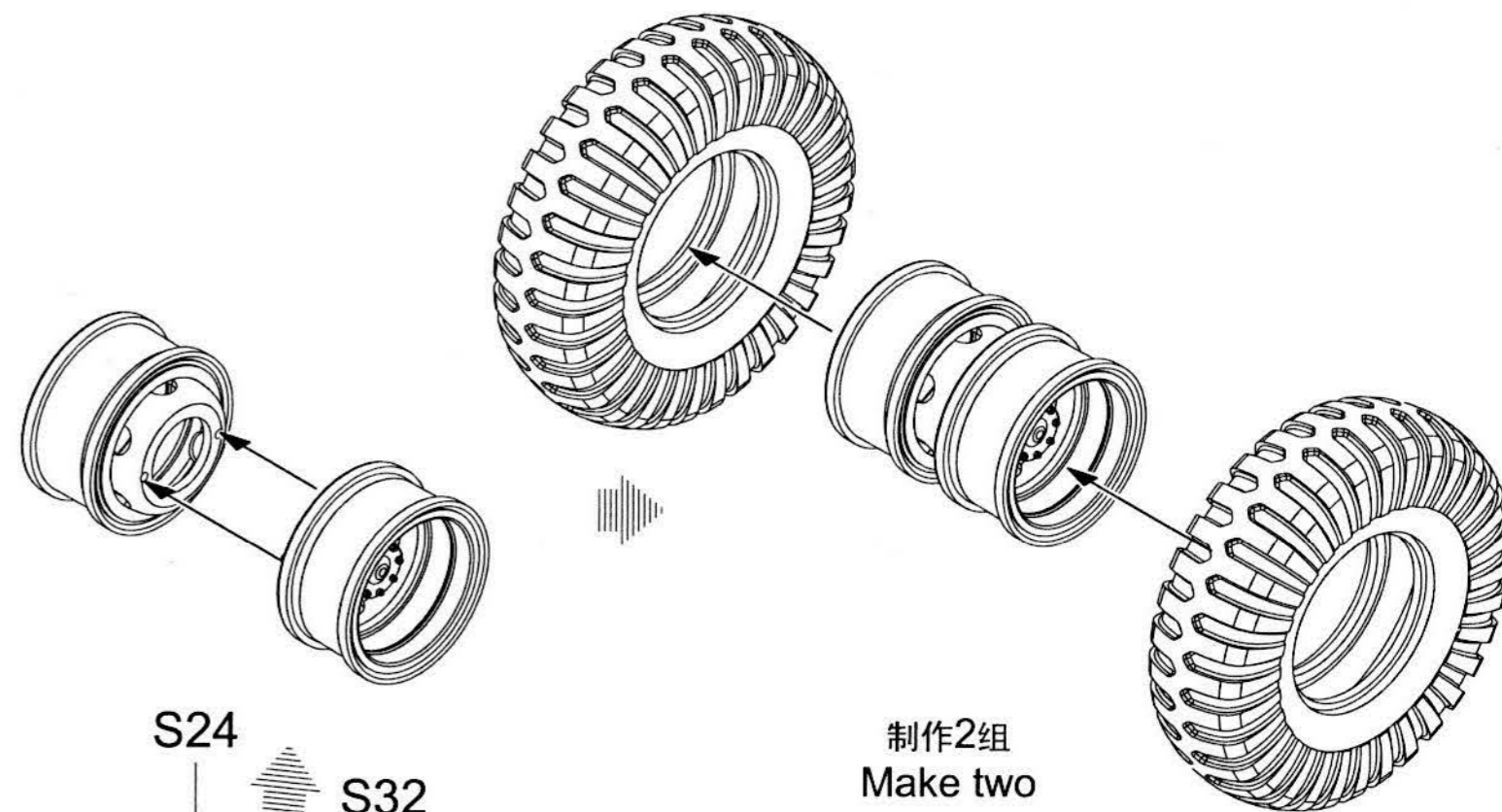
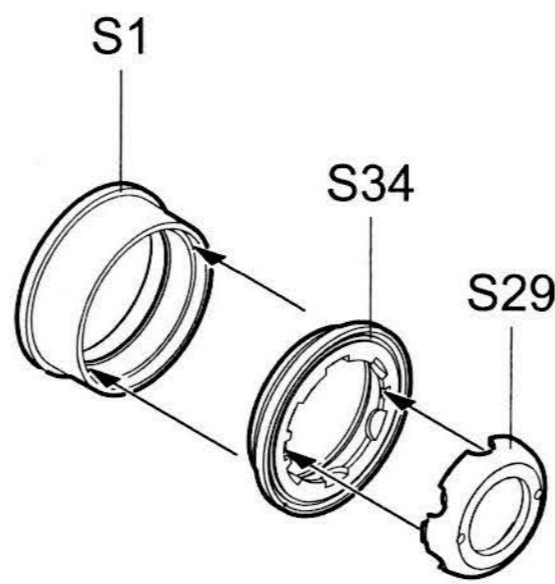
25



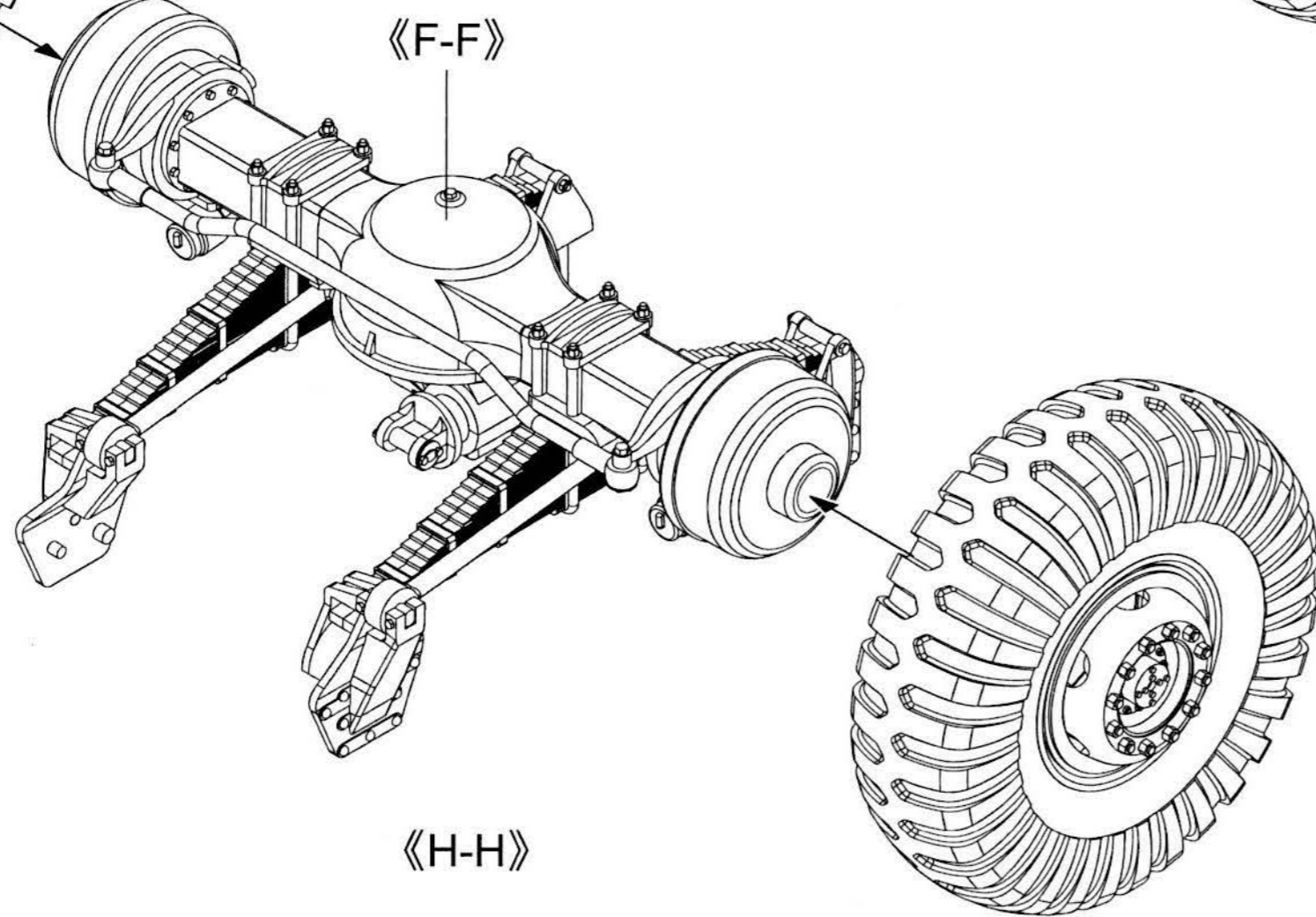
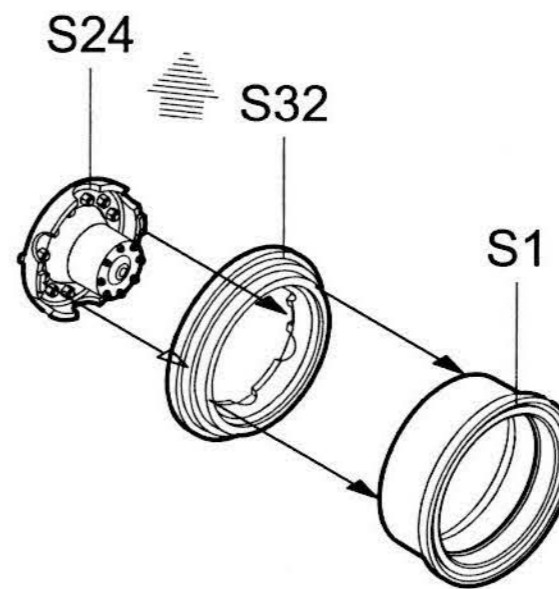
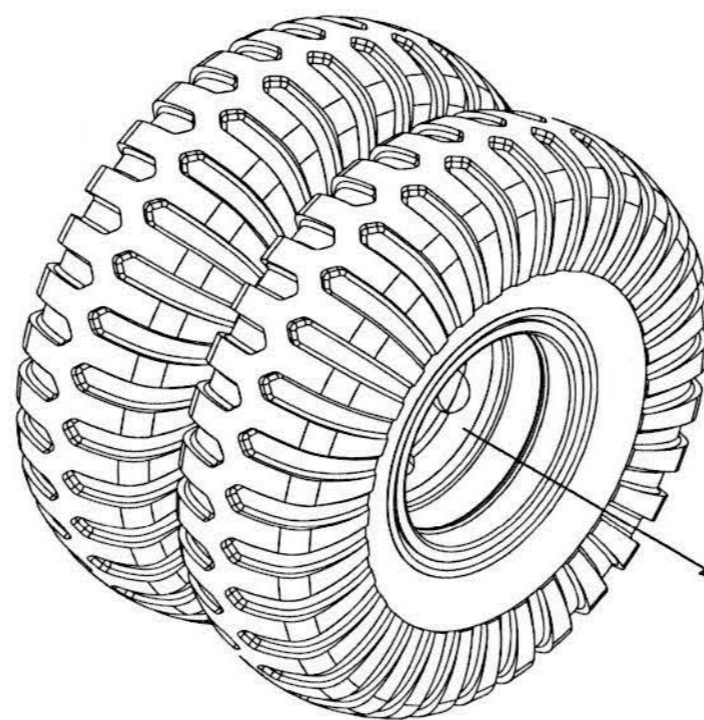
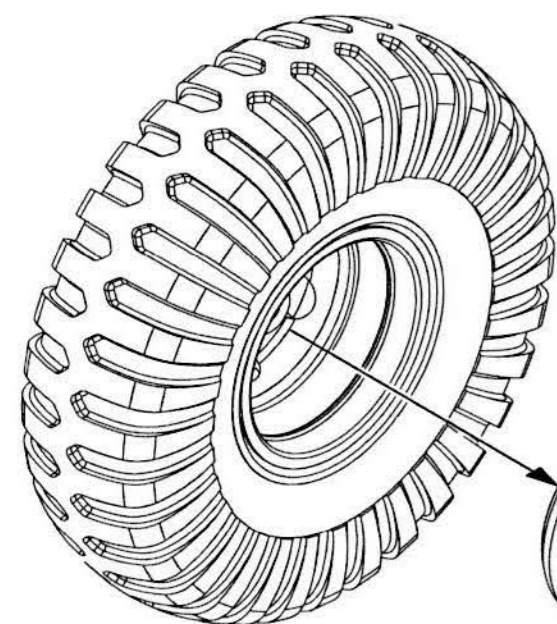
26



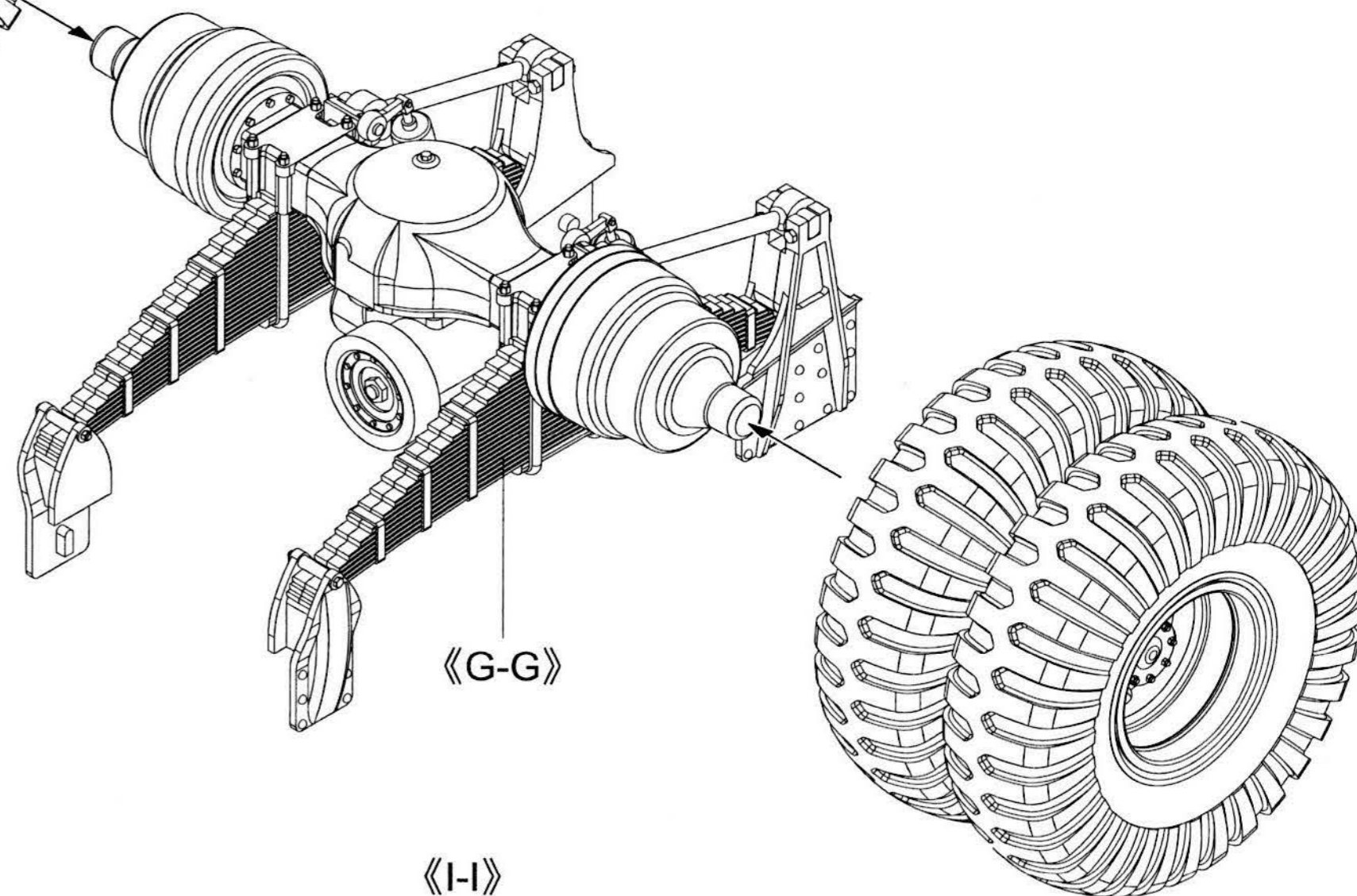
制作2组  
Make two



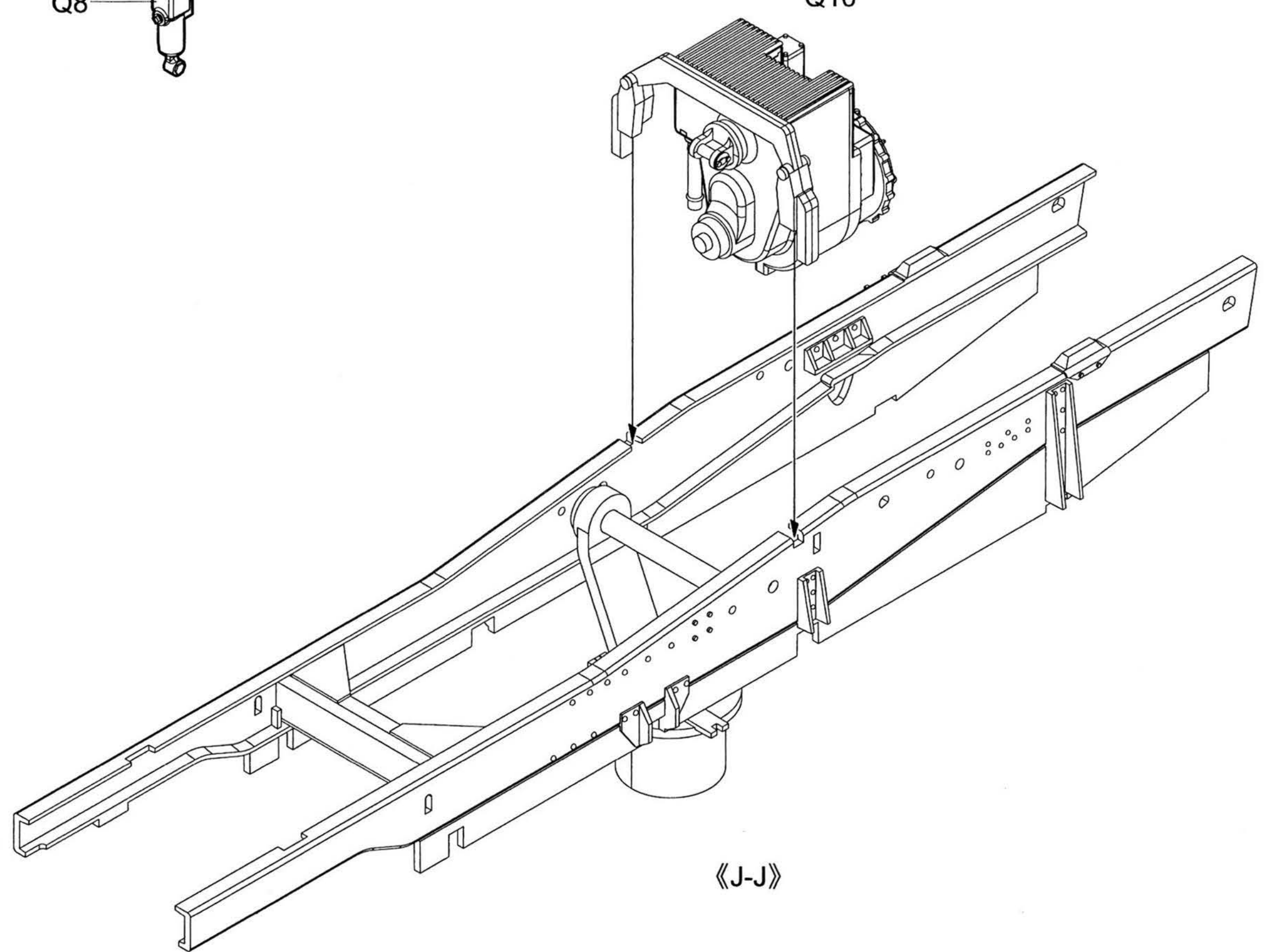
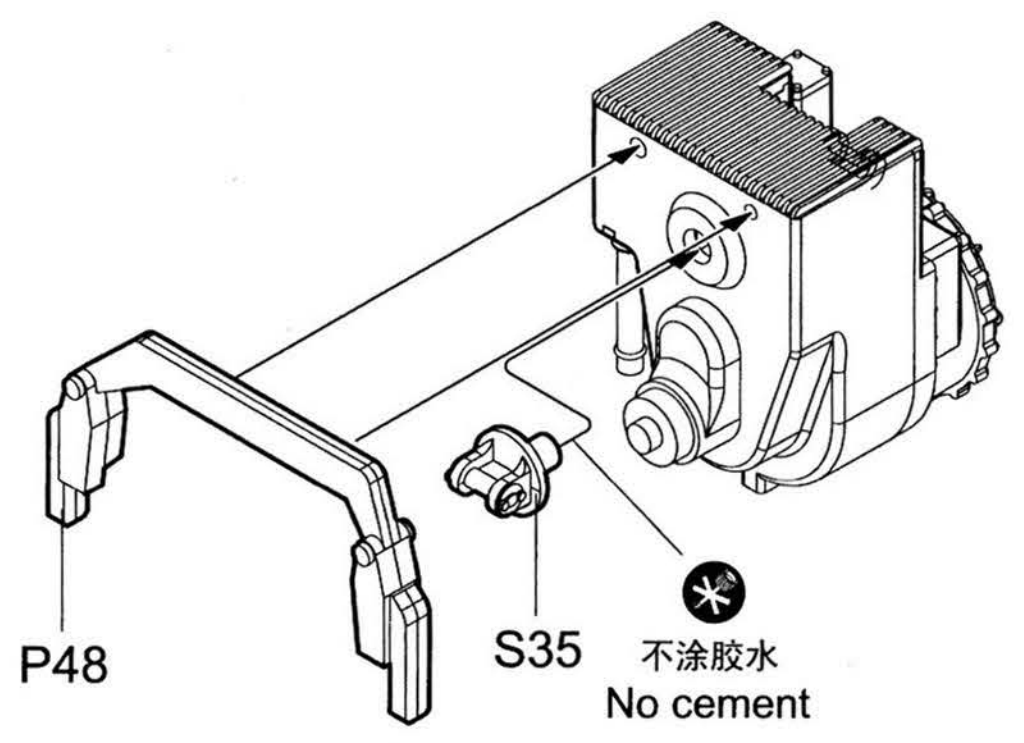
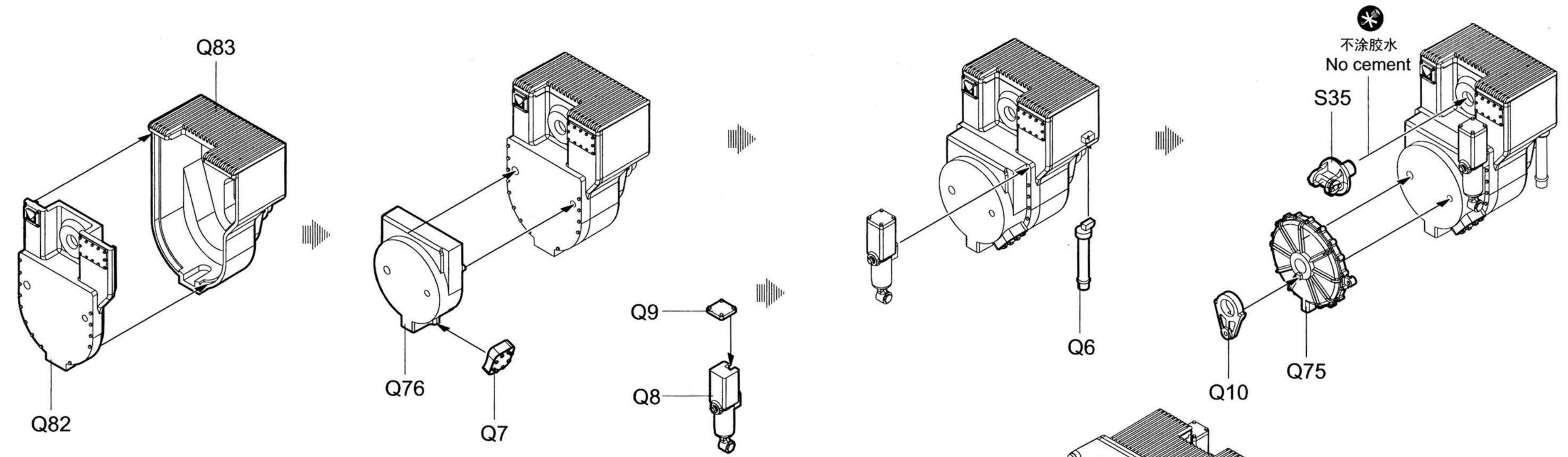
制作2组  
Make two



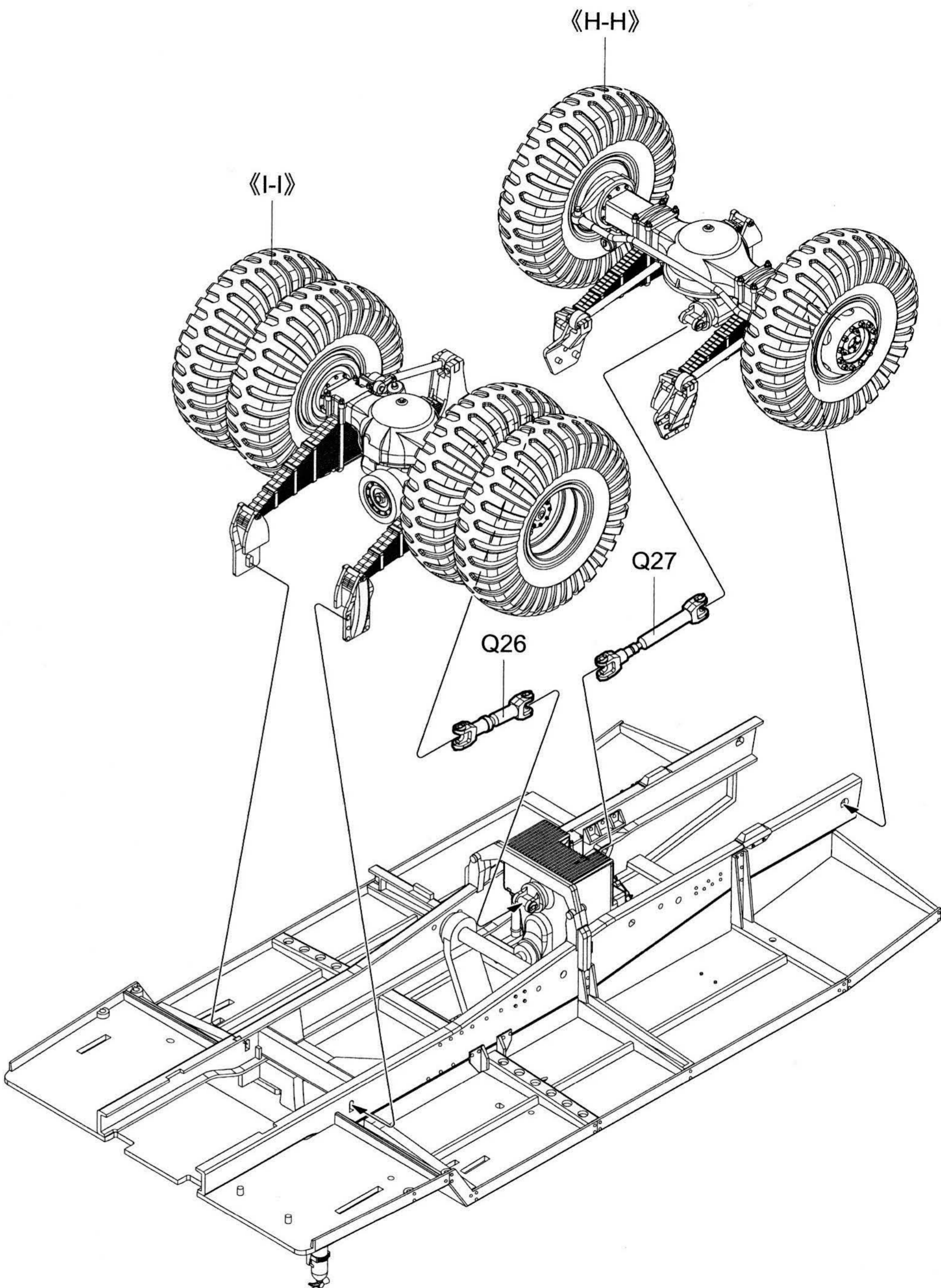
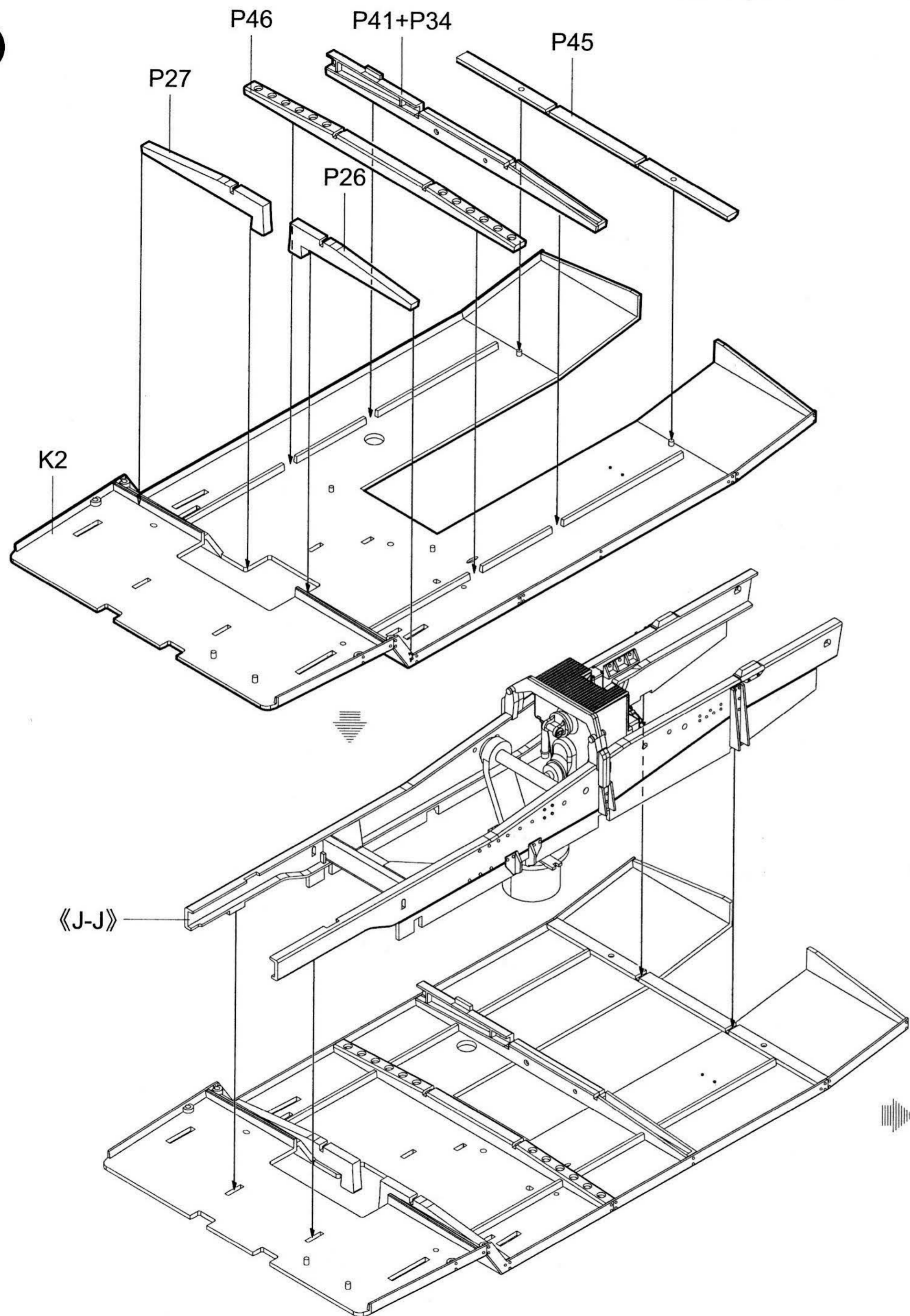
«H-H»



«I-I»







29

弯曲  
Bend  
PE-B14

Q80

Q77

Q78

P11

P4

Q85

Q70

Q28

Q29

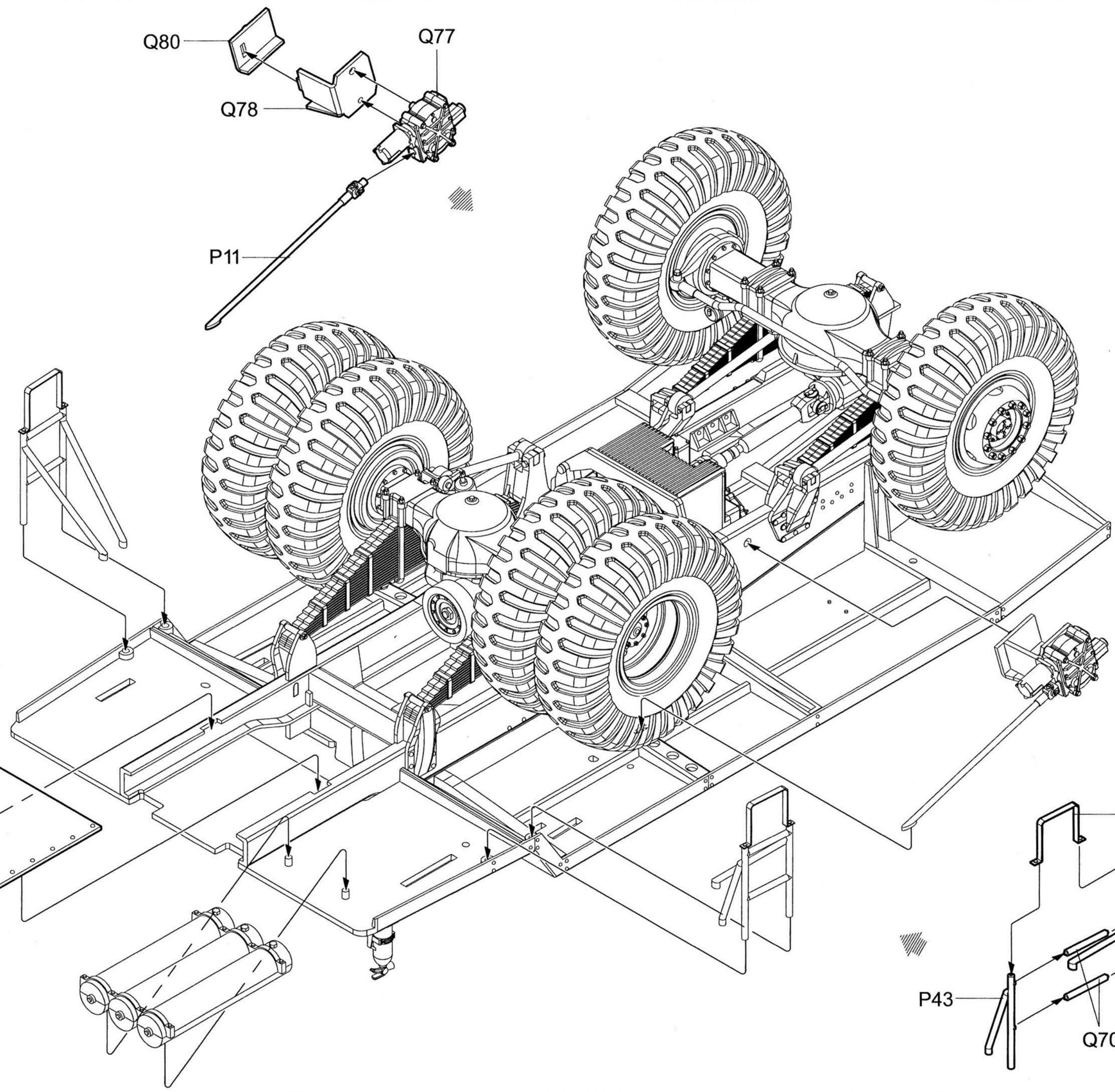
P49

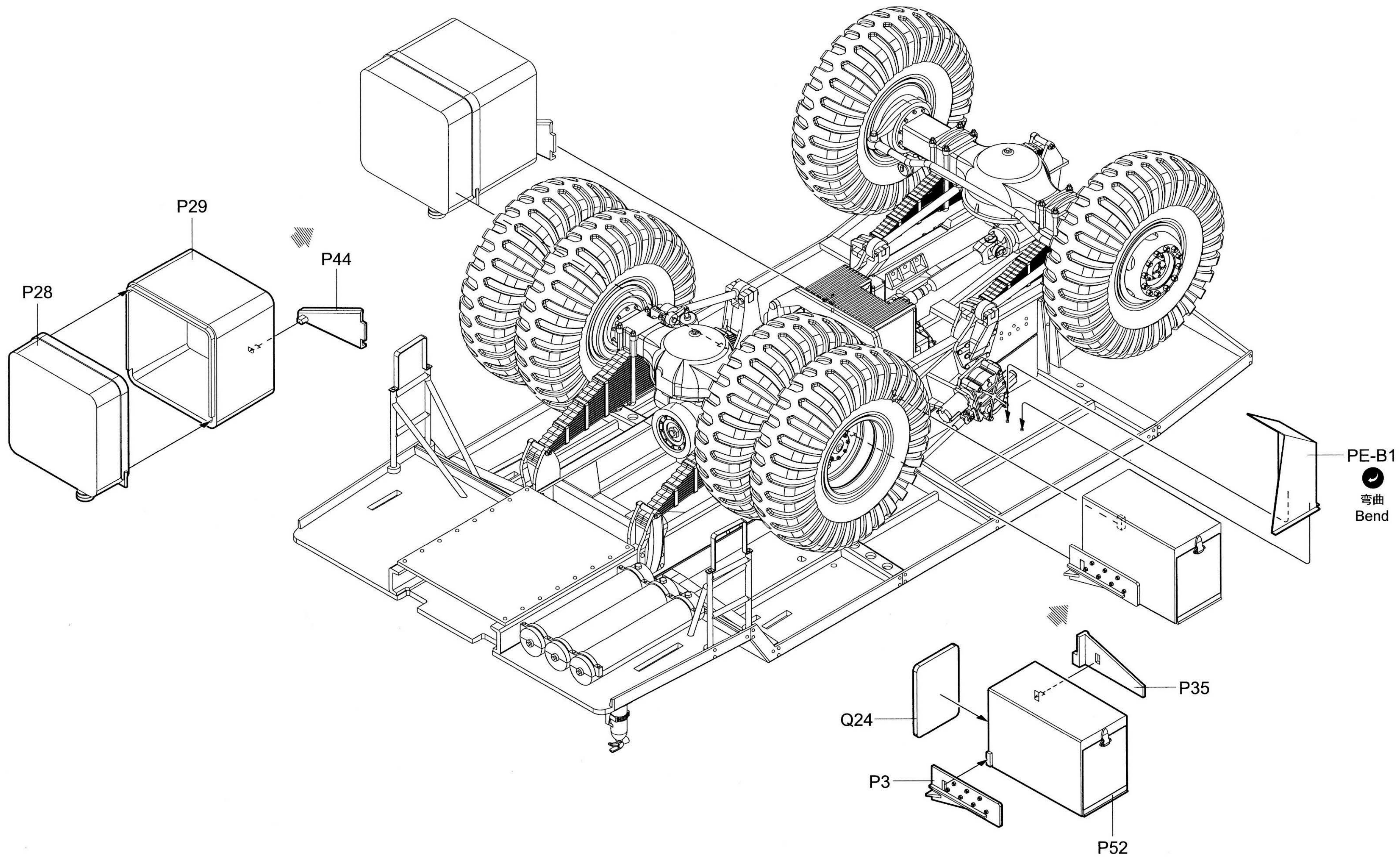
弯曲  
Bend  
PE-B14

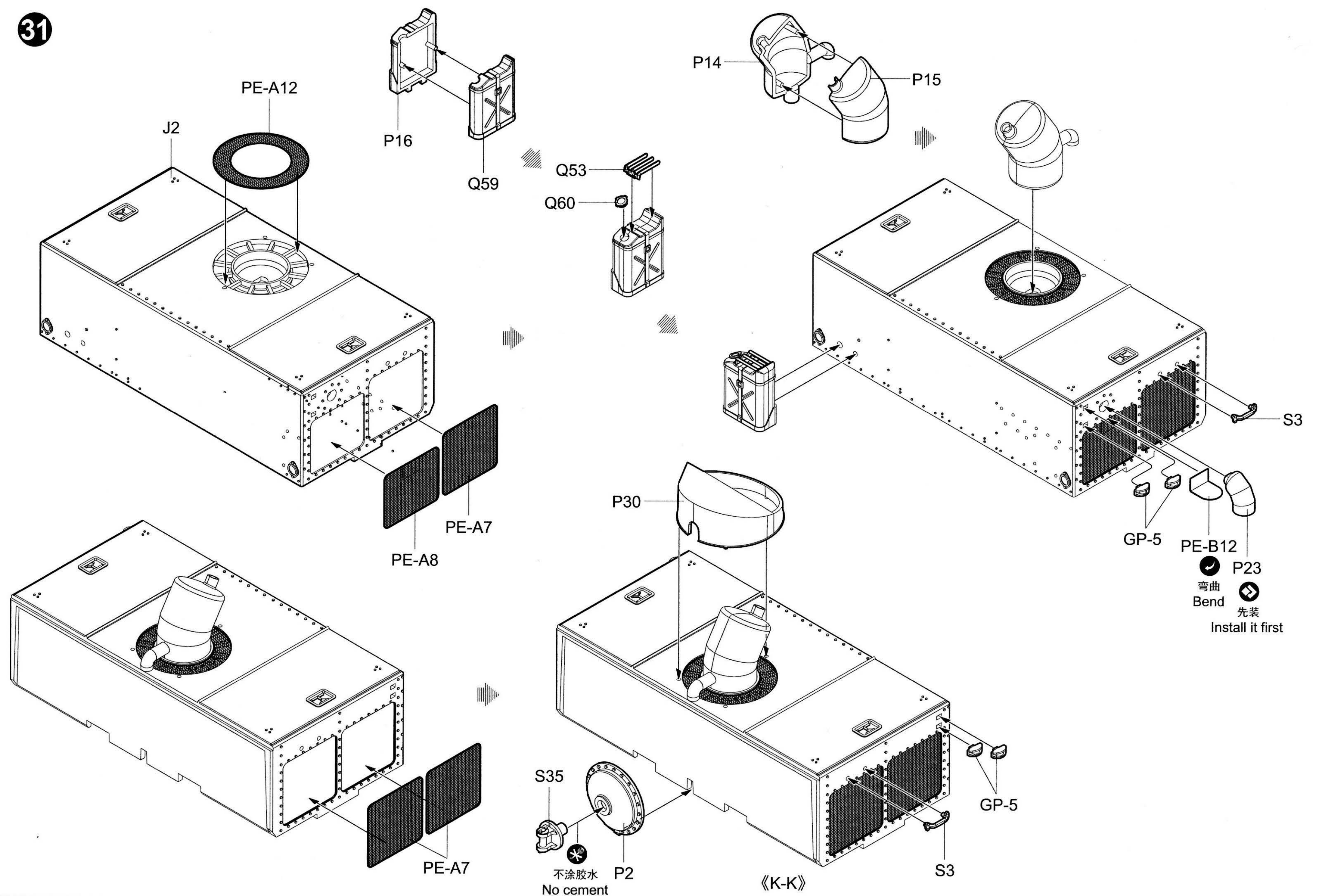
Q85

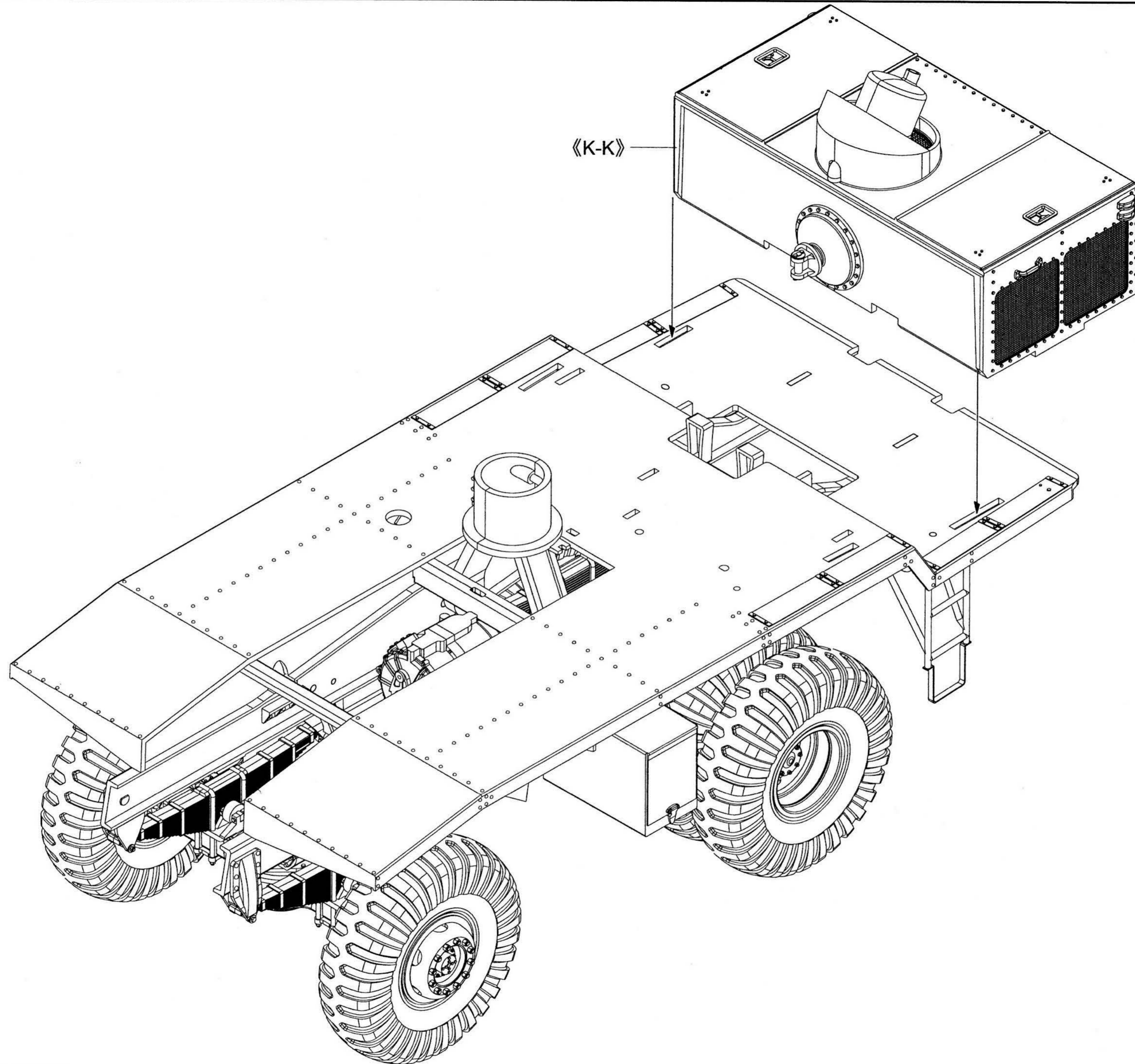
P43

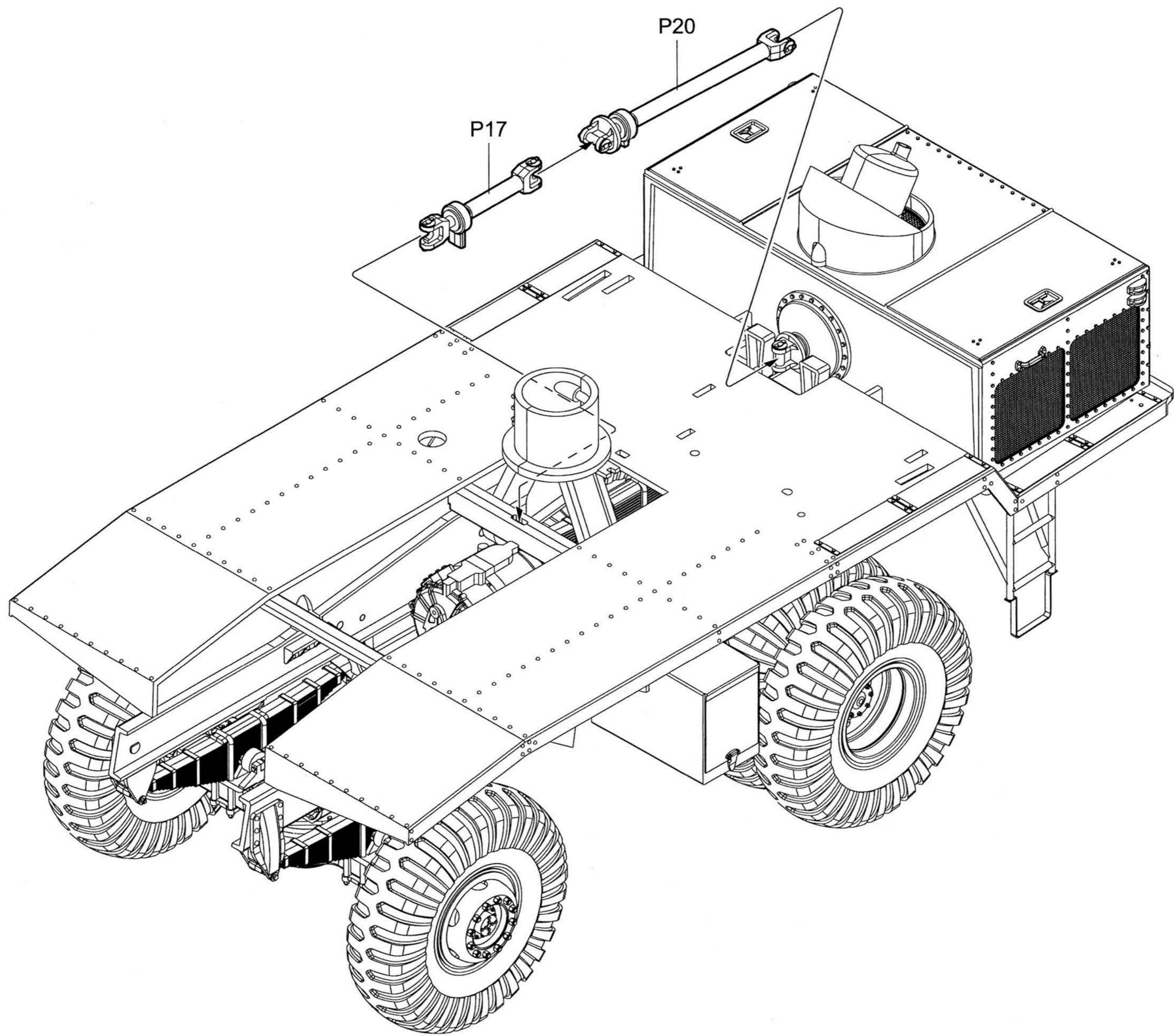
Q70



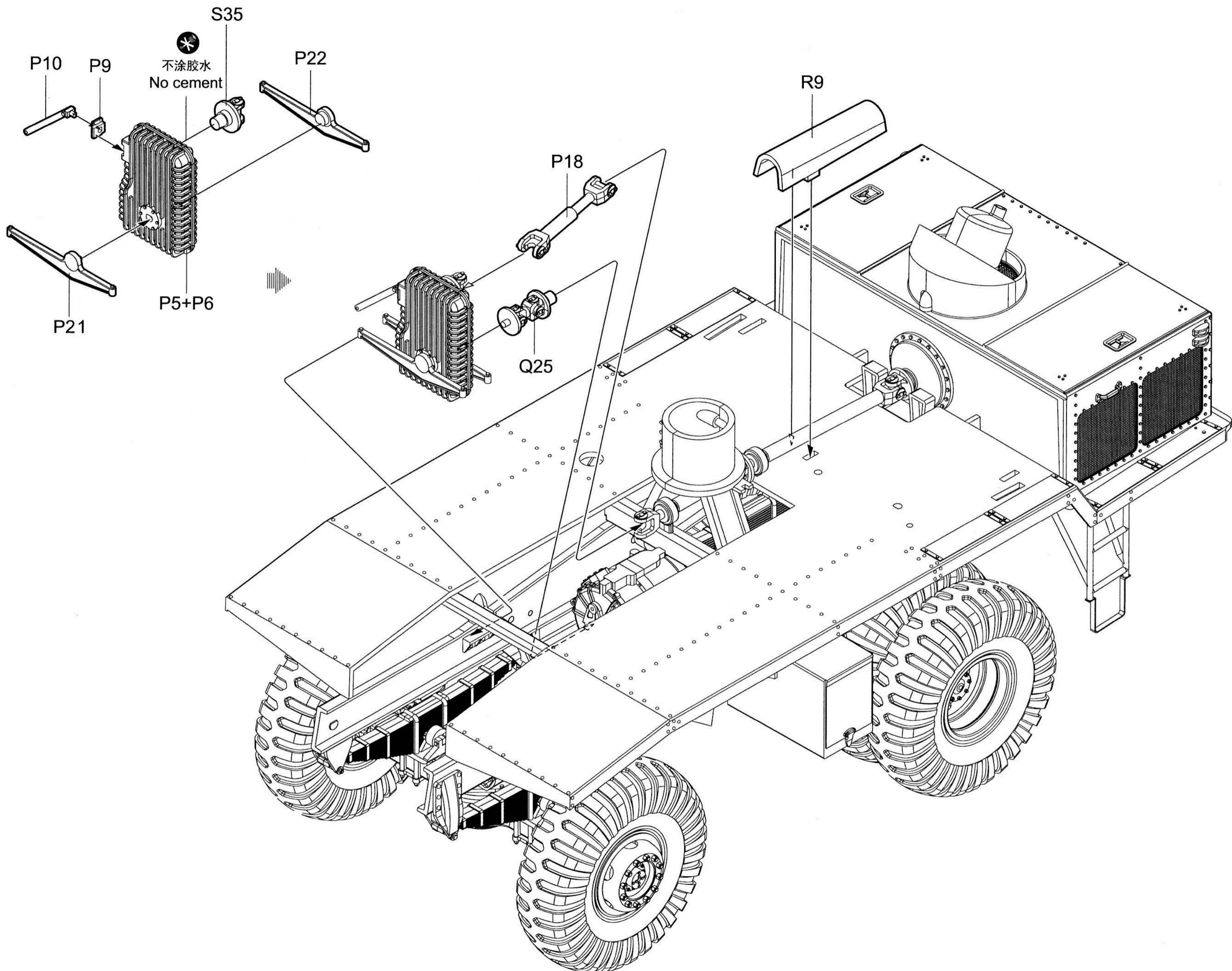




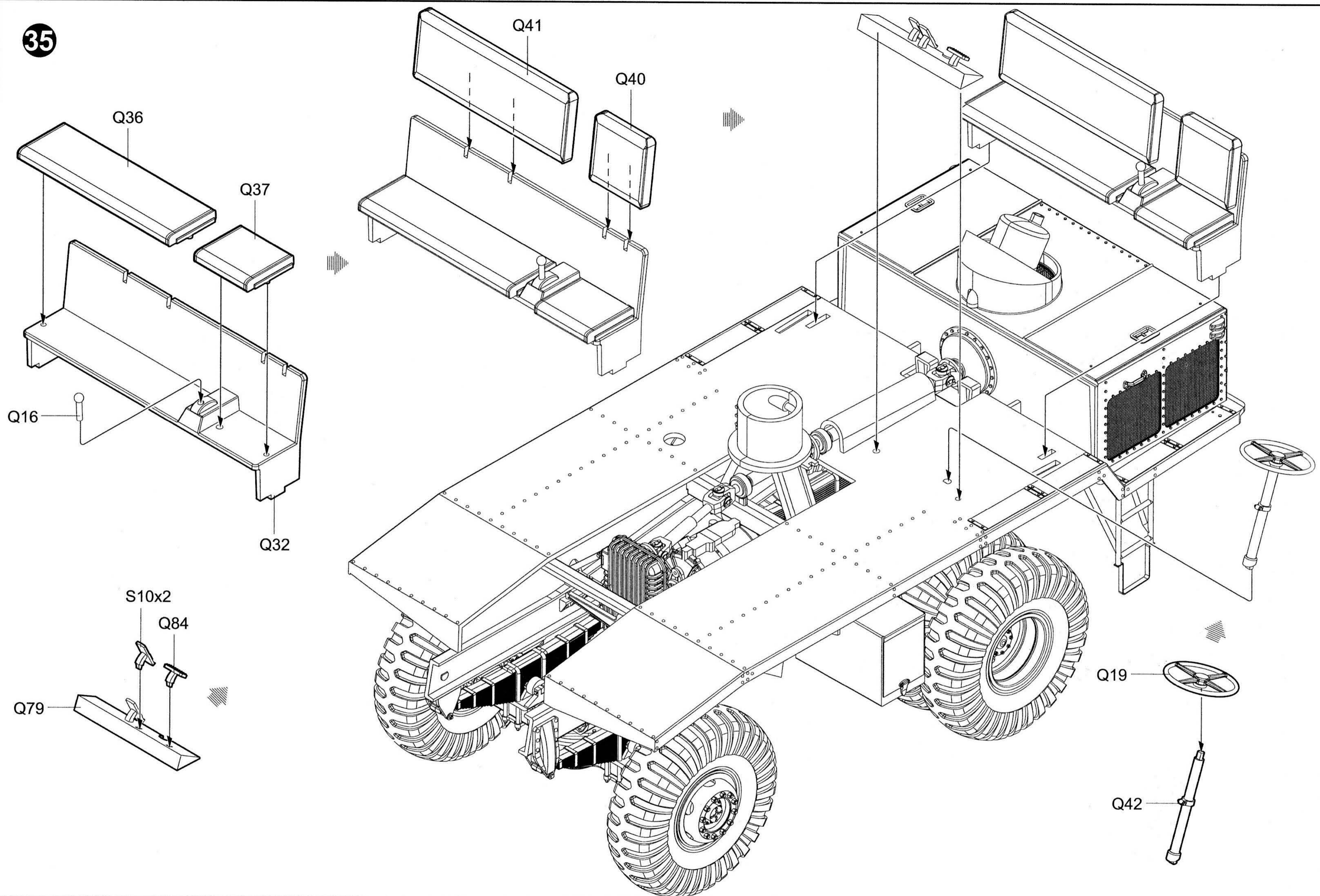




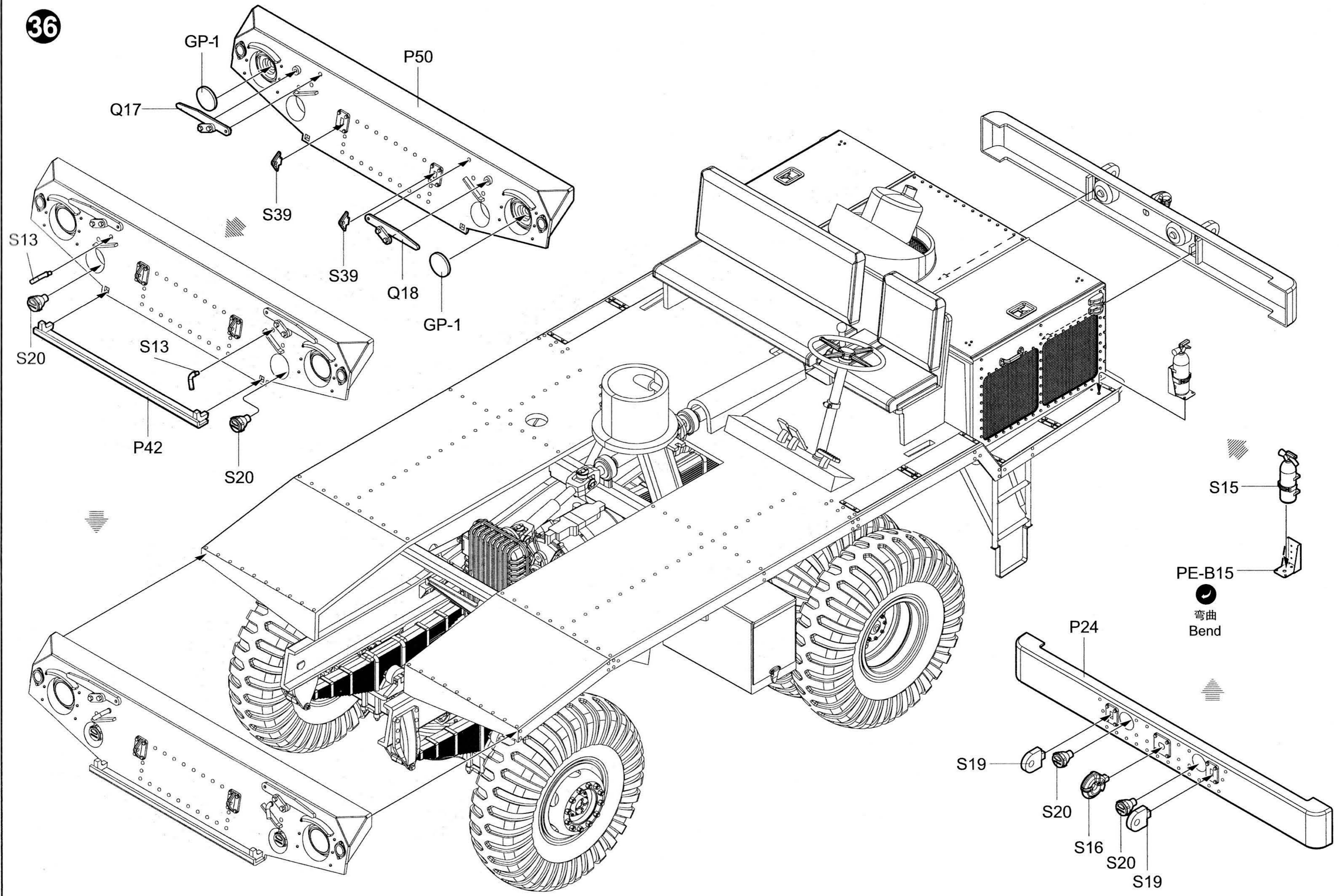
34

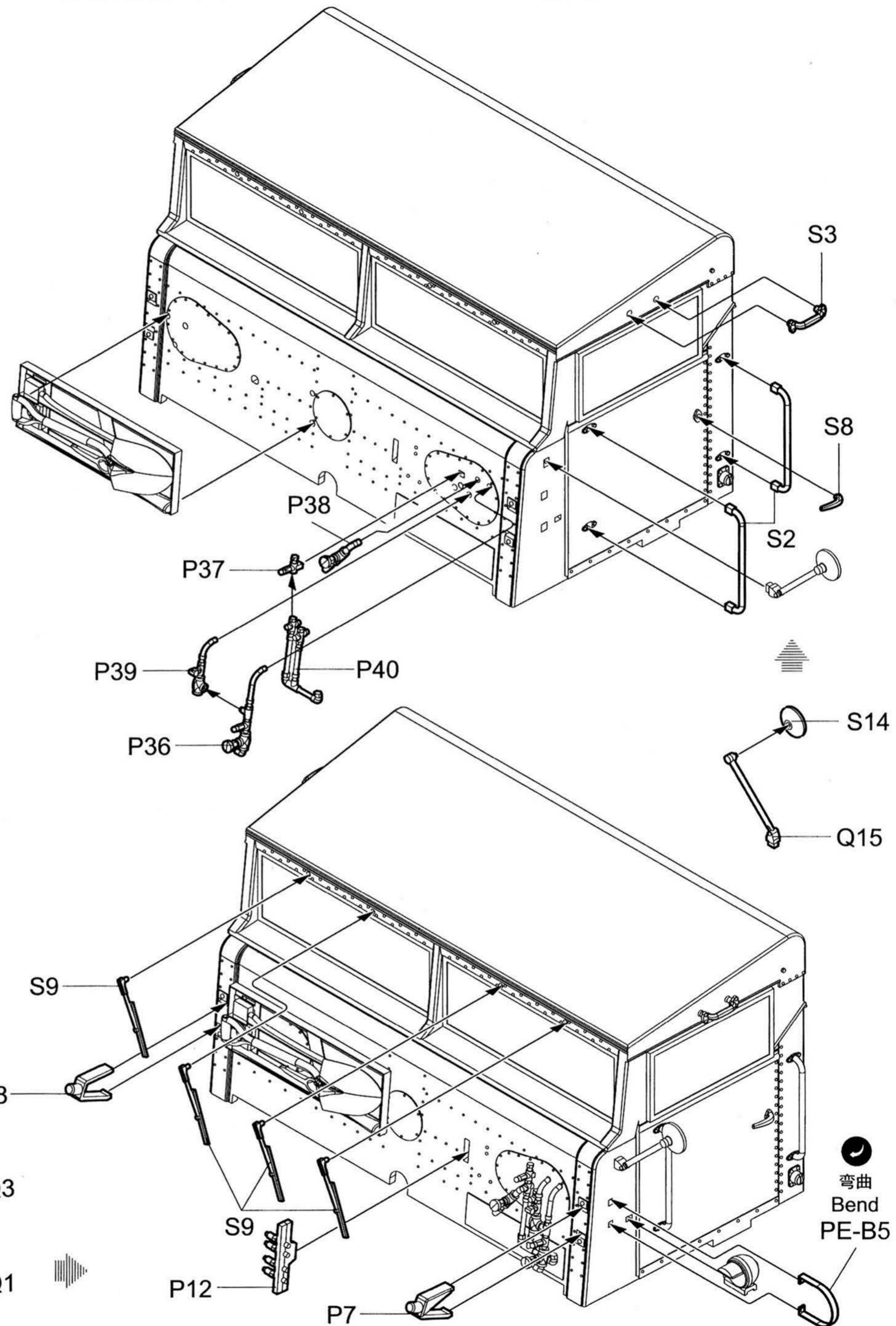
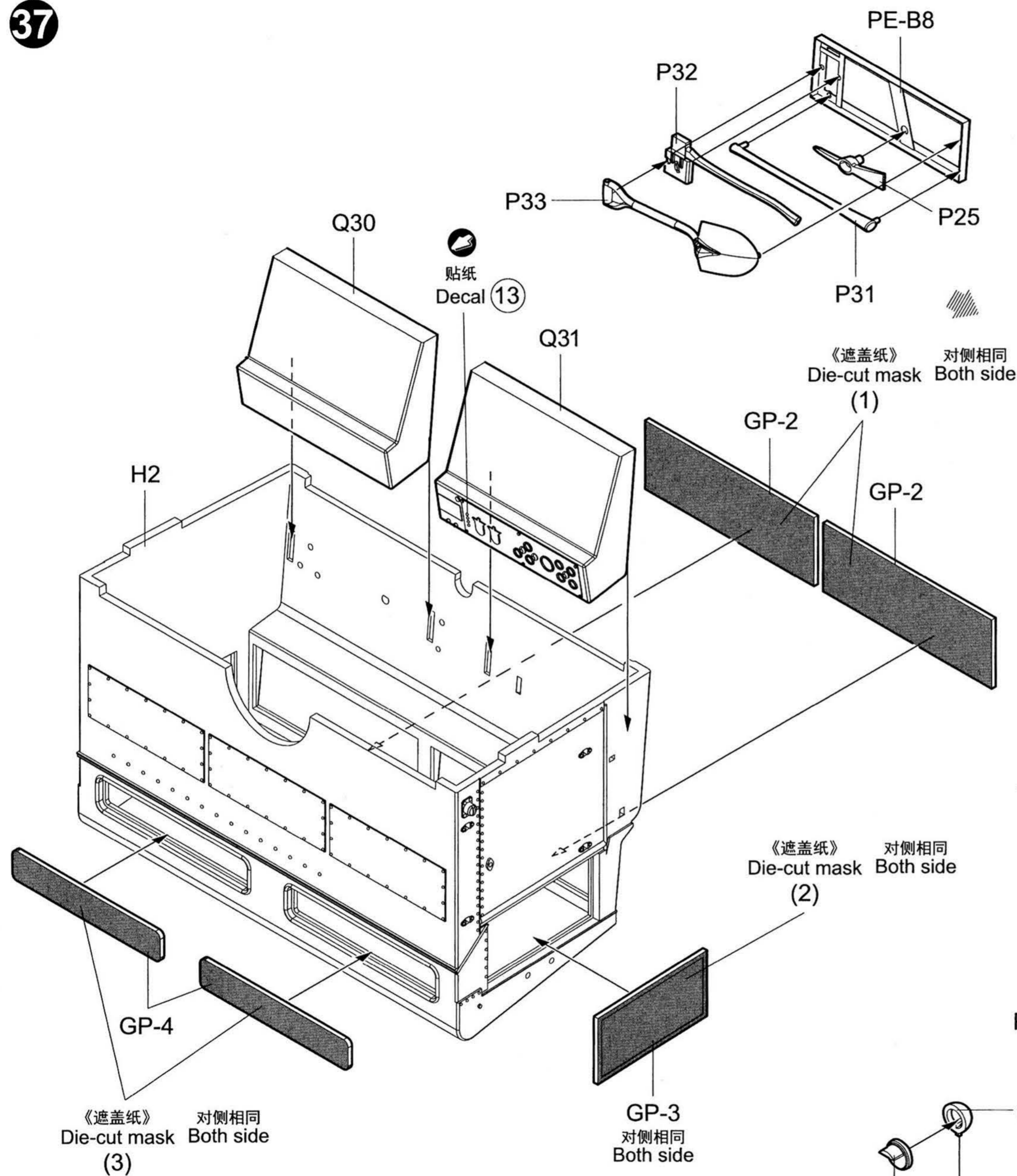


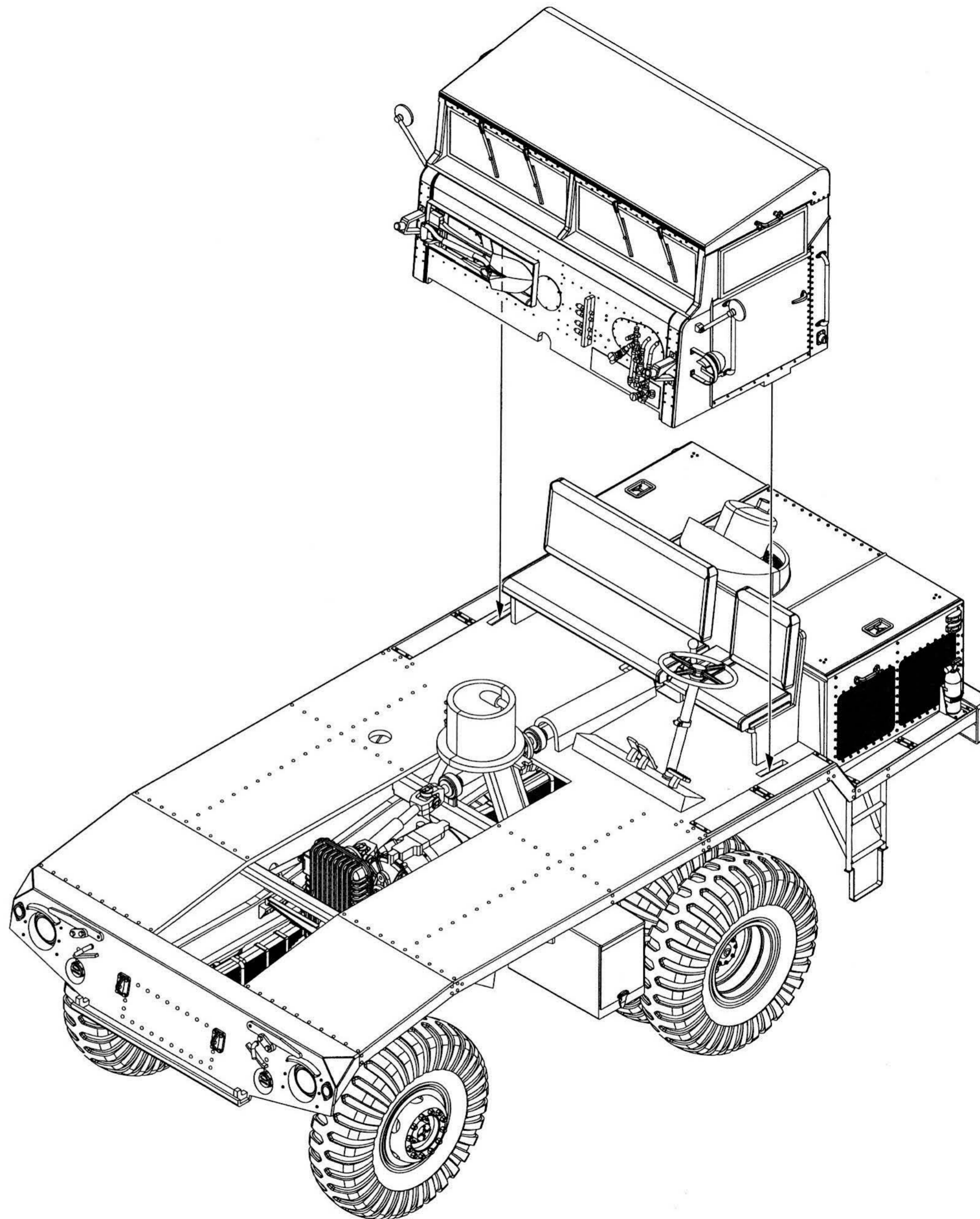
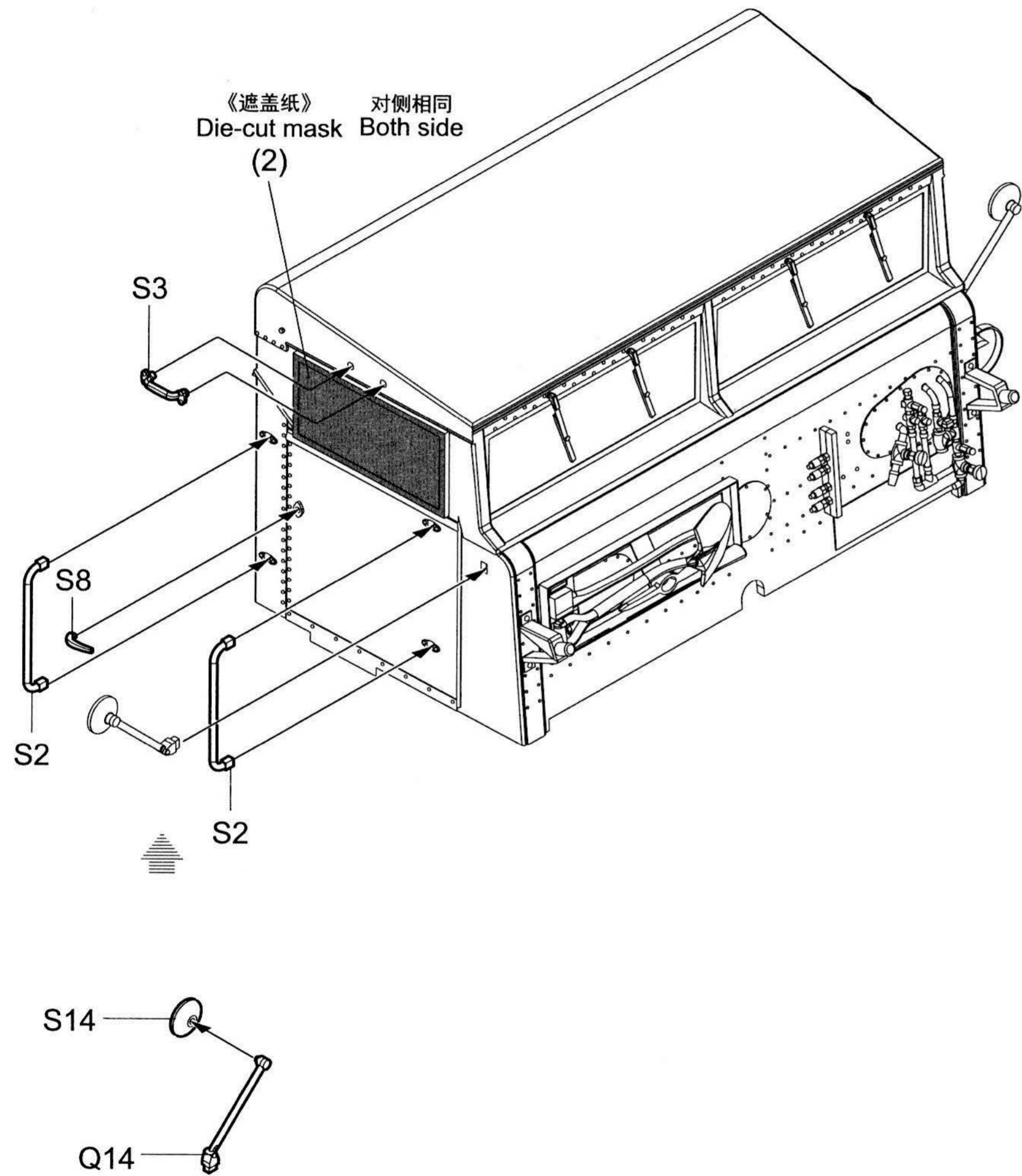
35

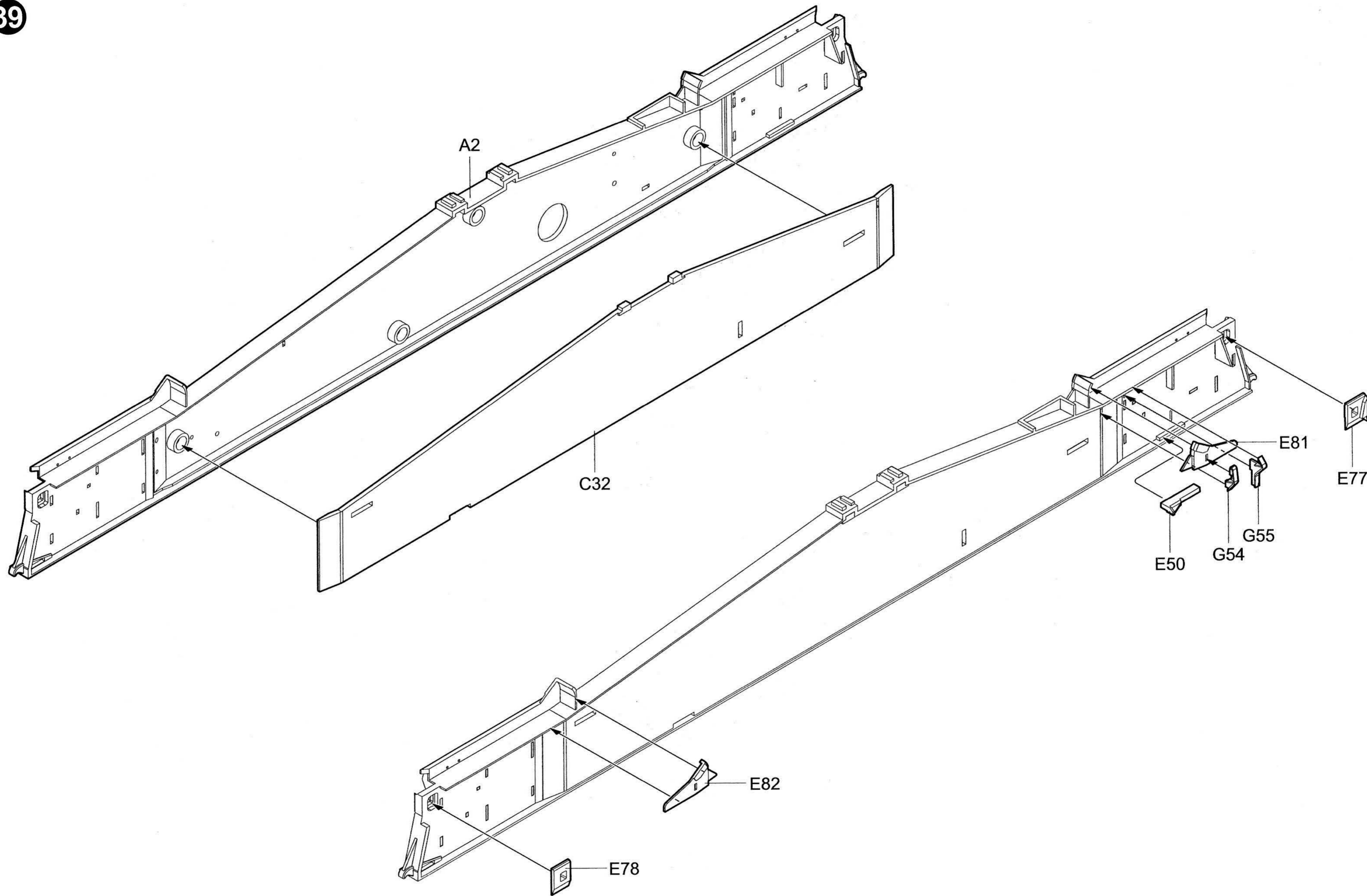


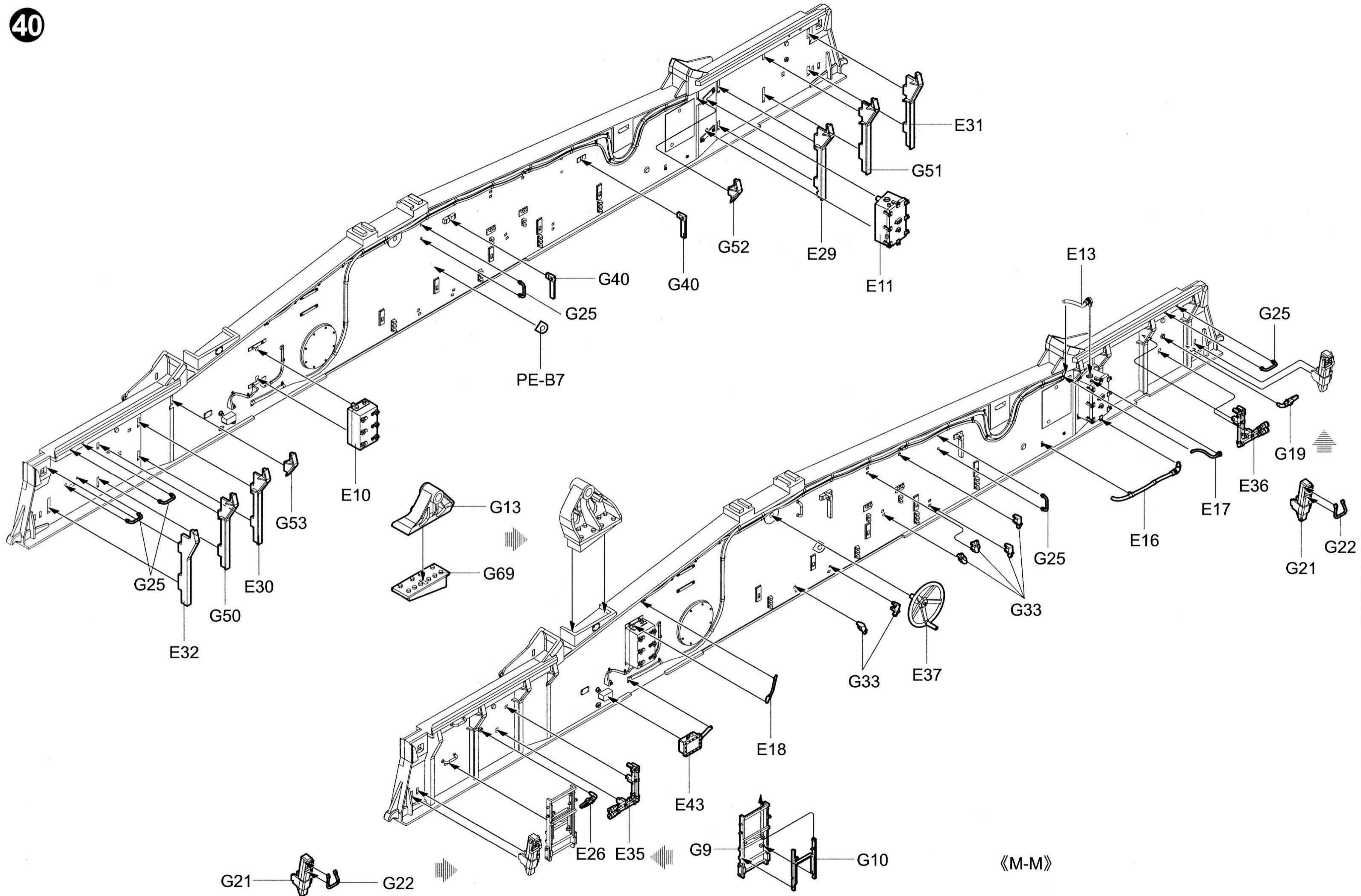


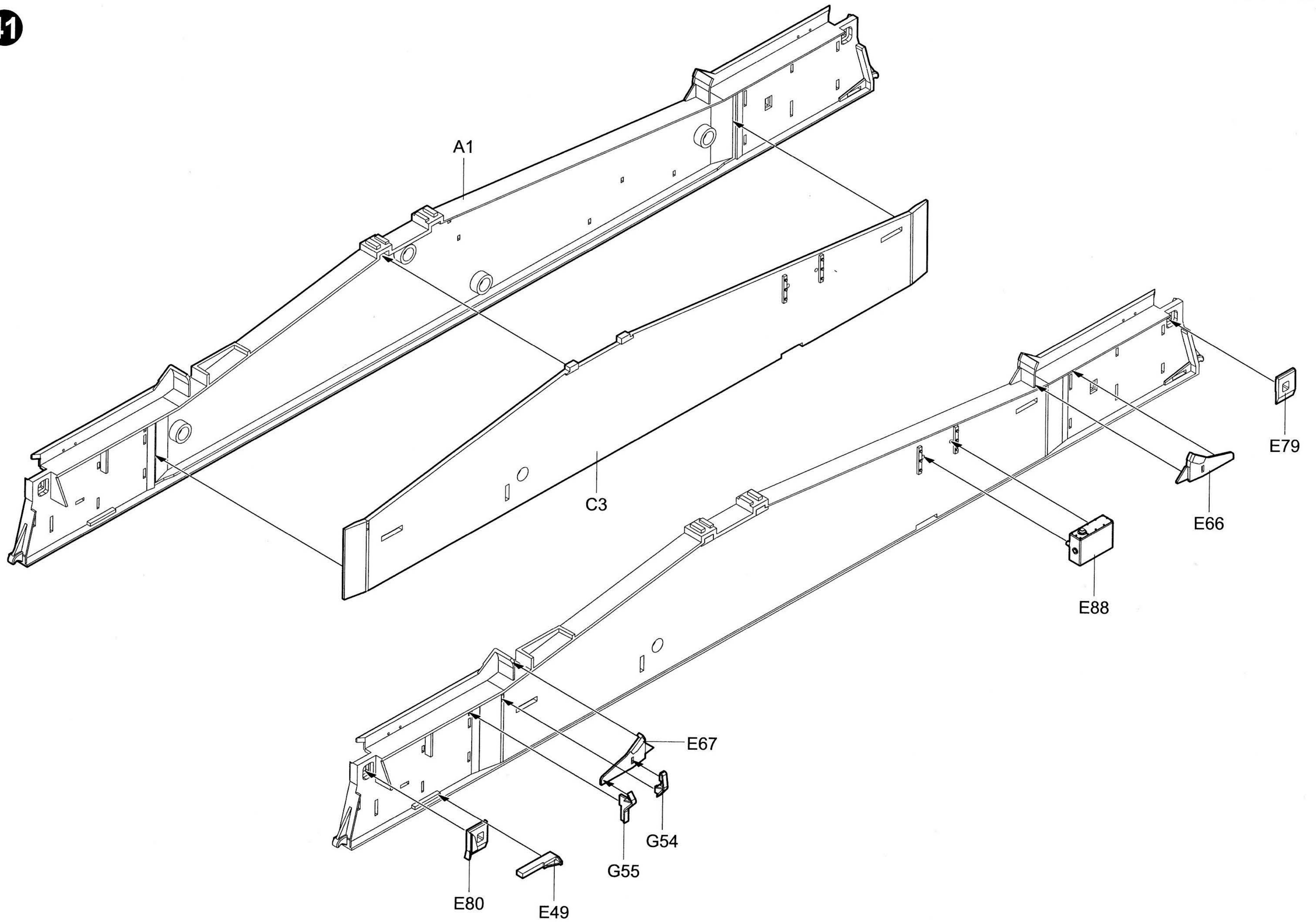


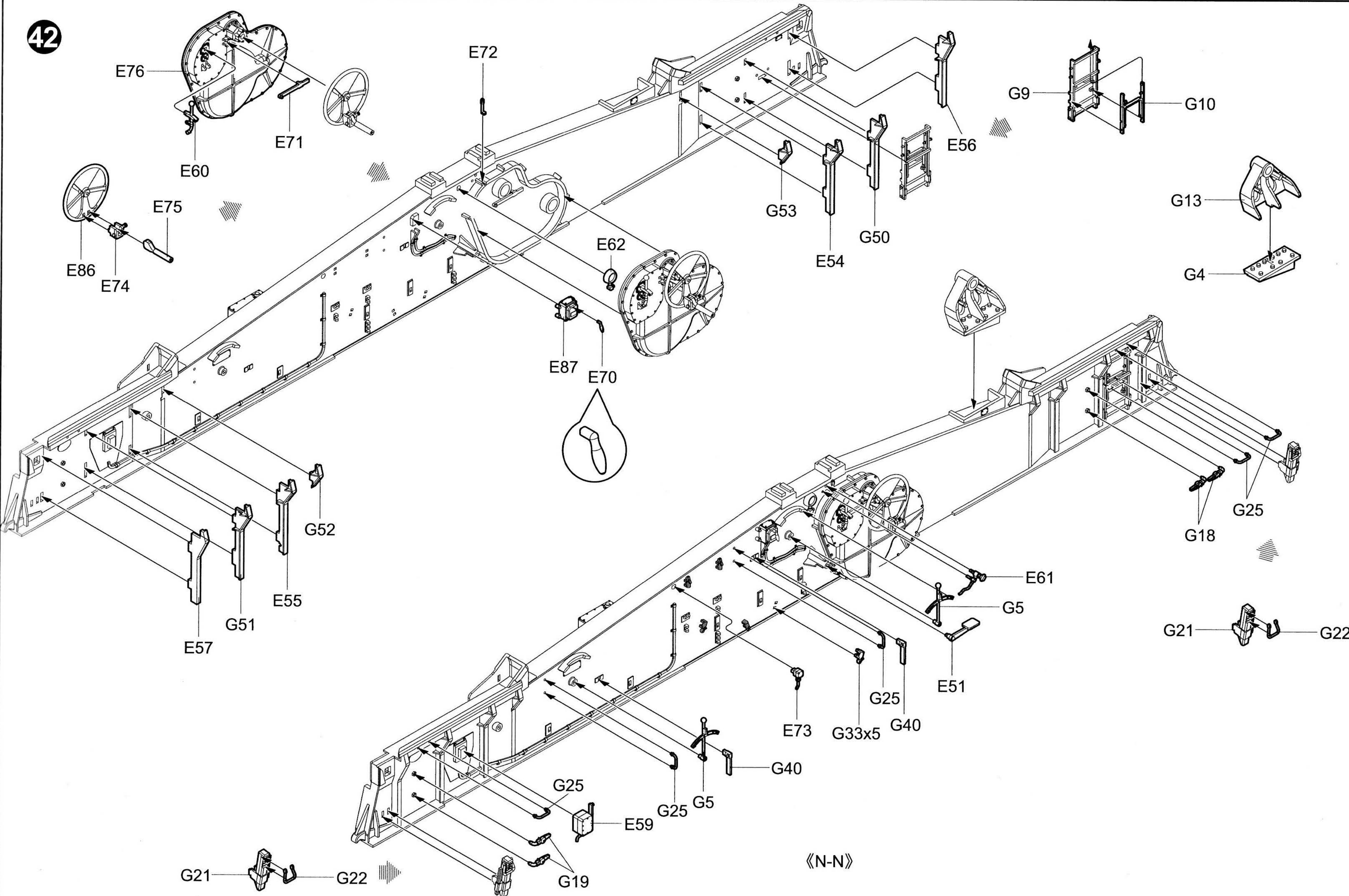


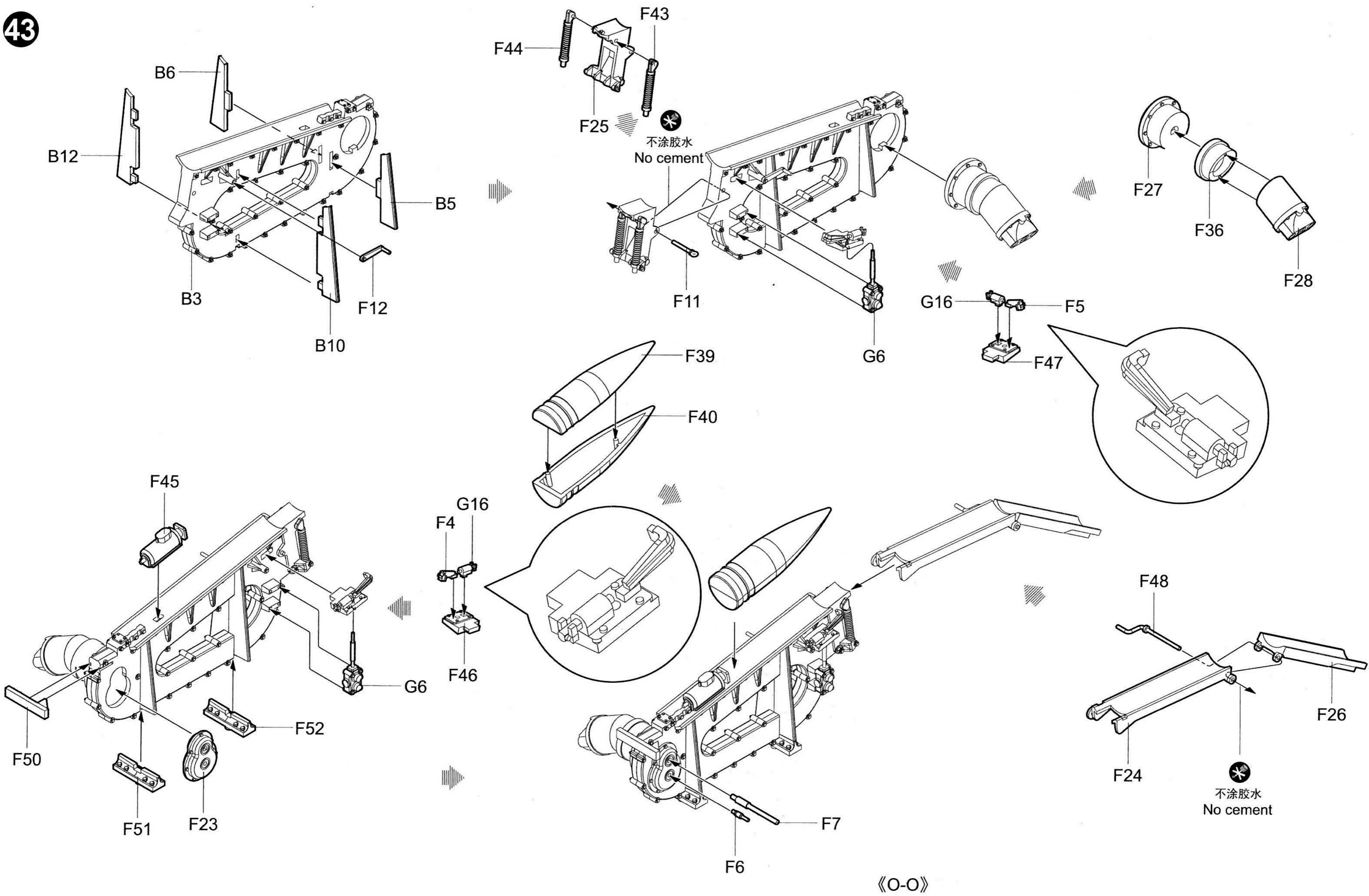




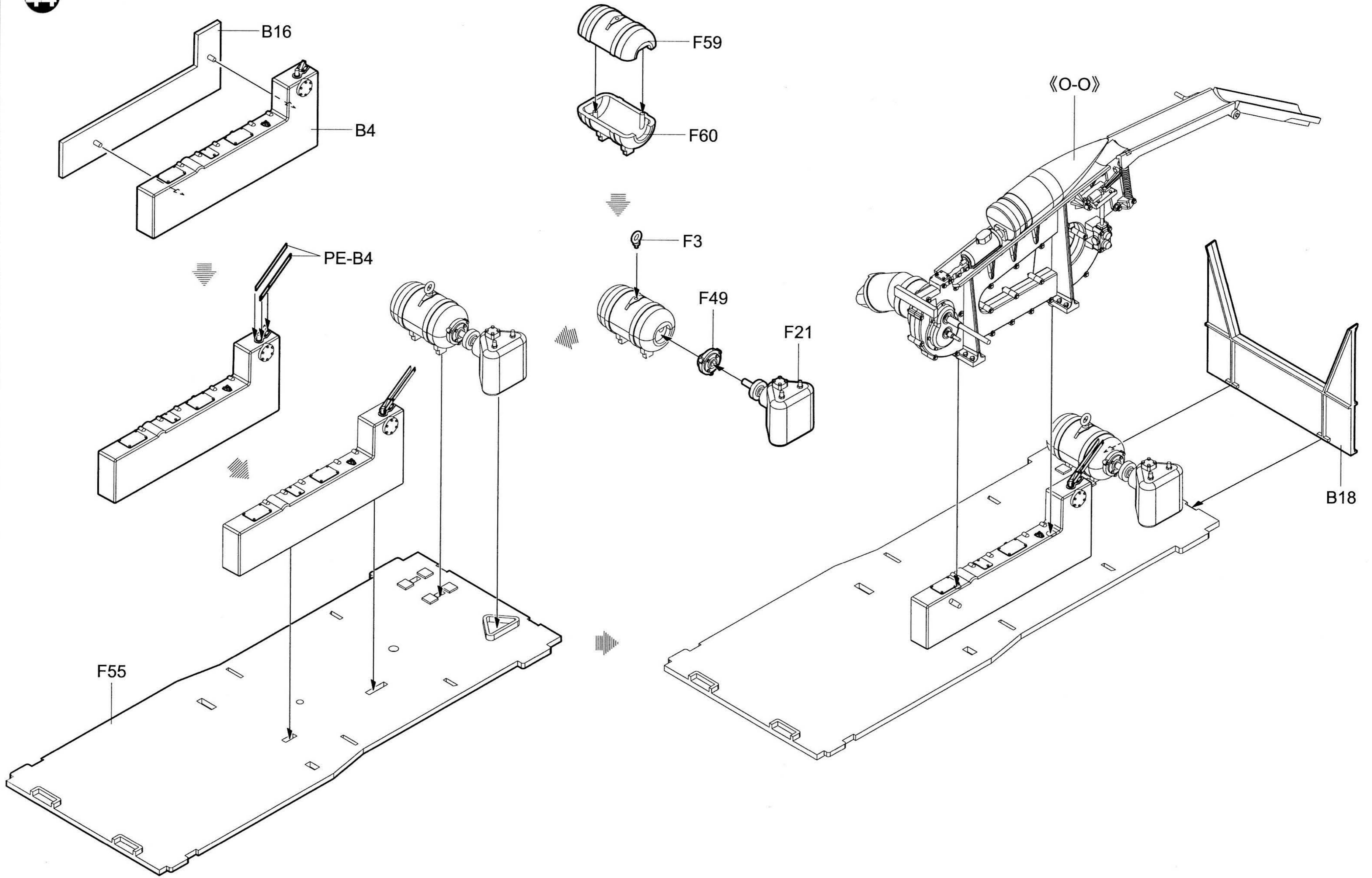


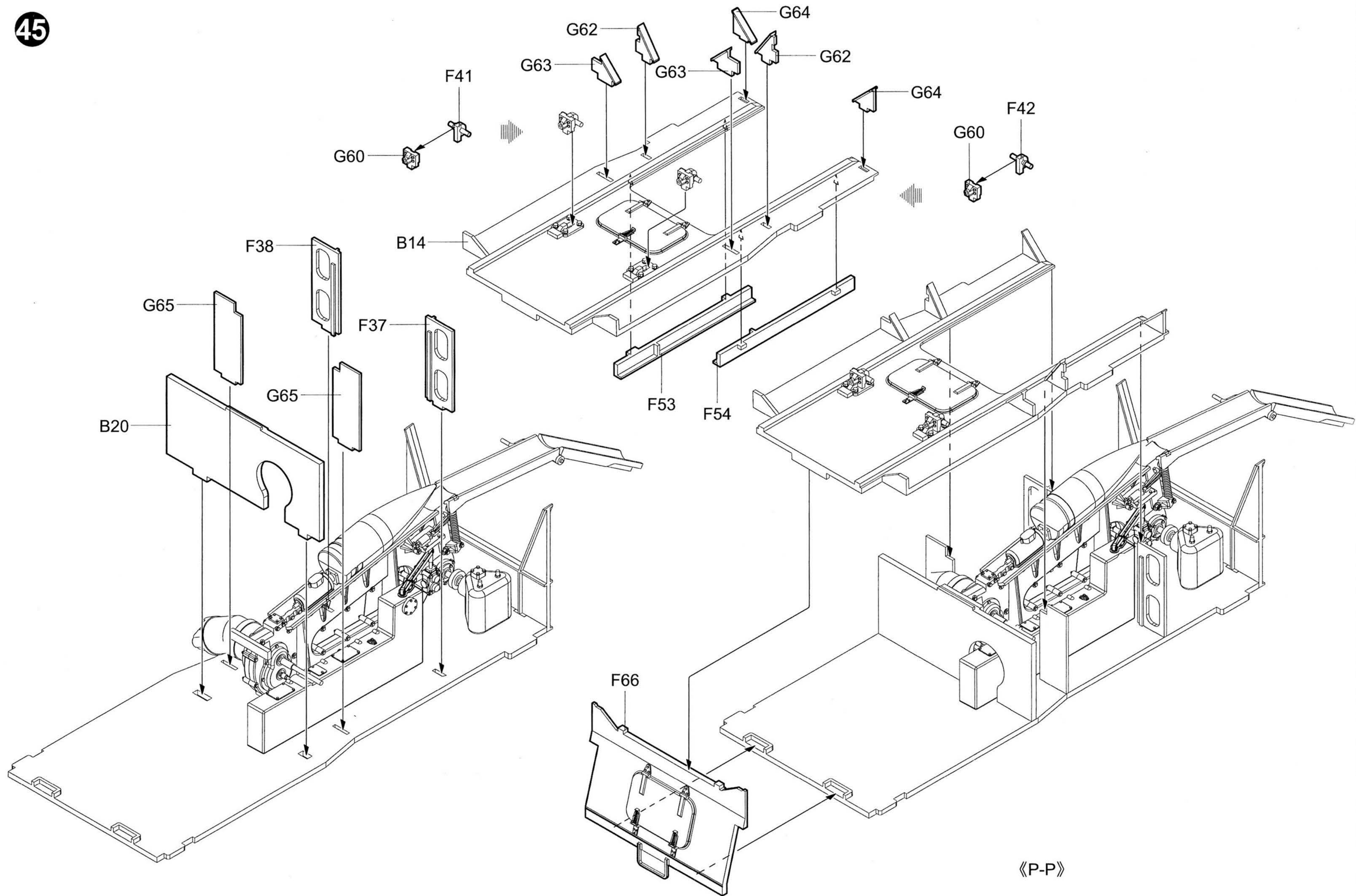


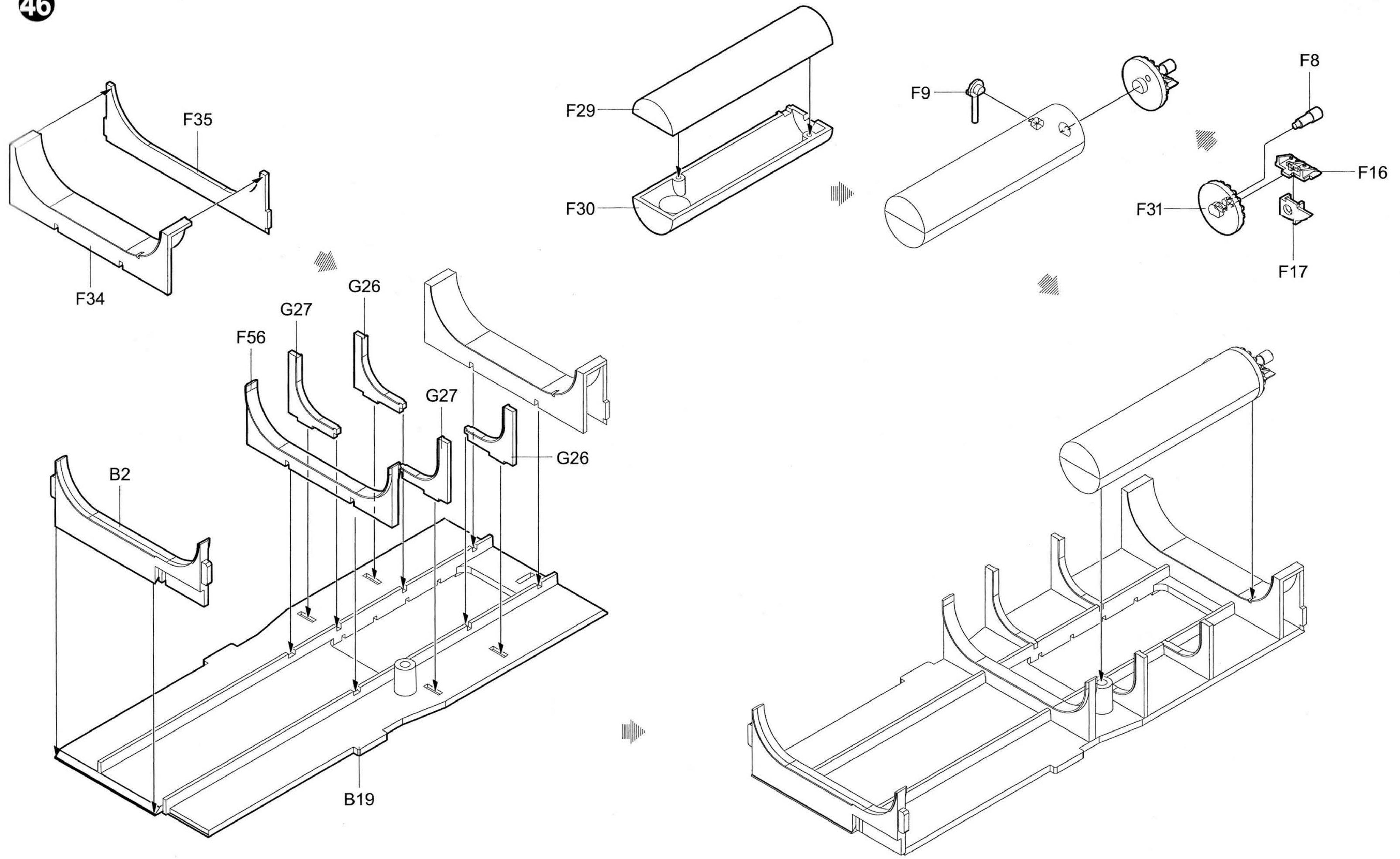


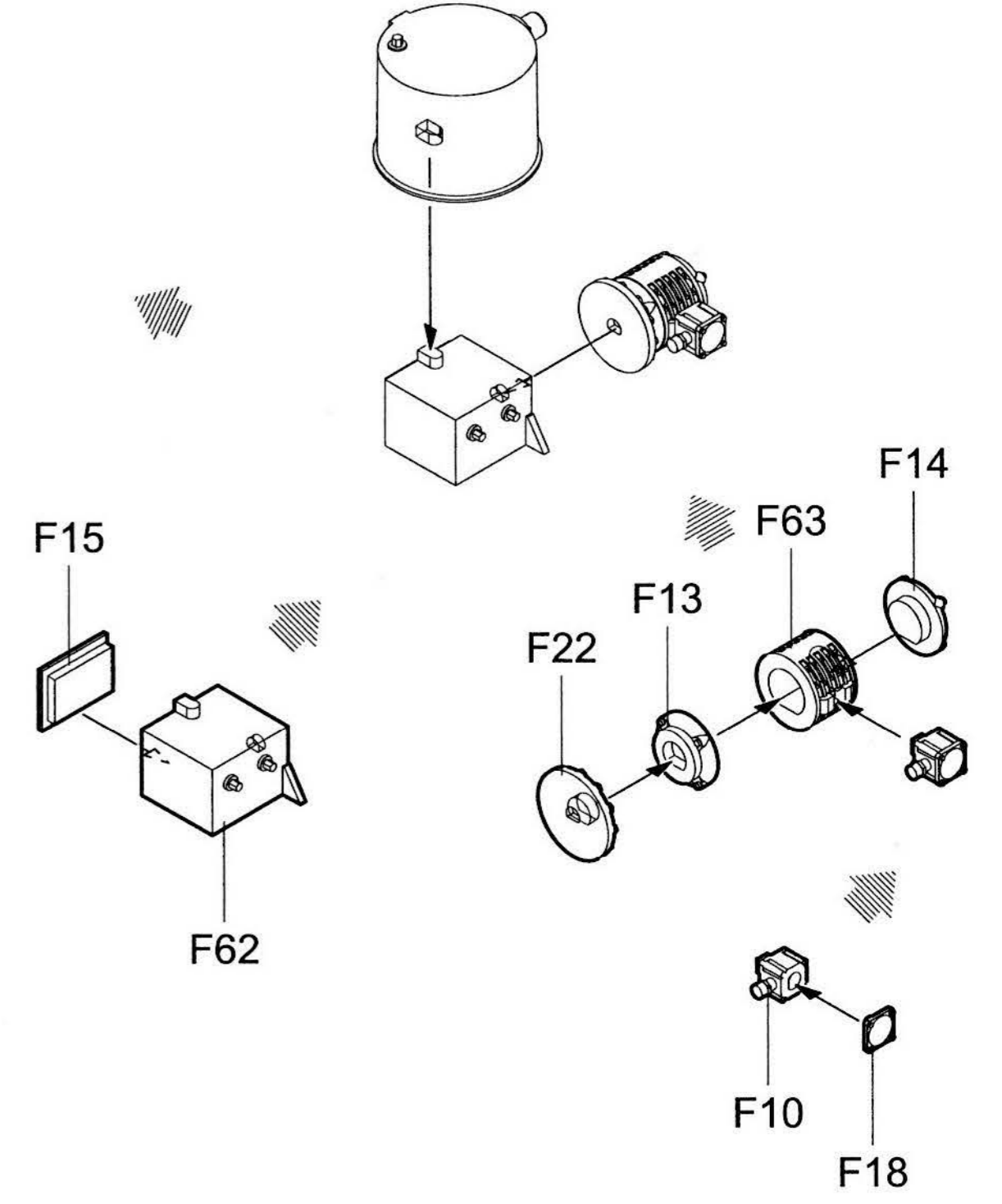
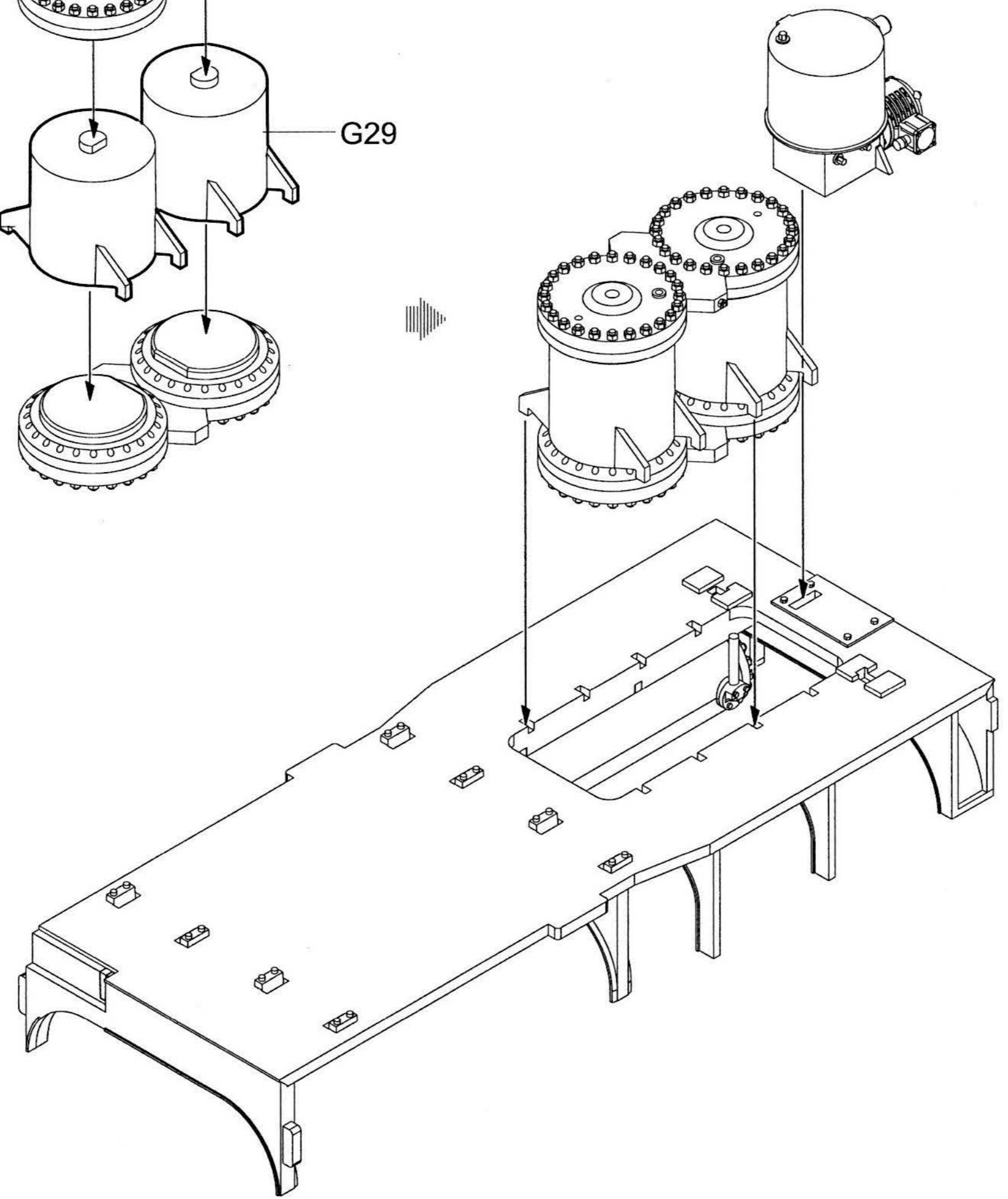
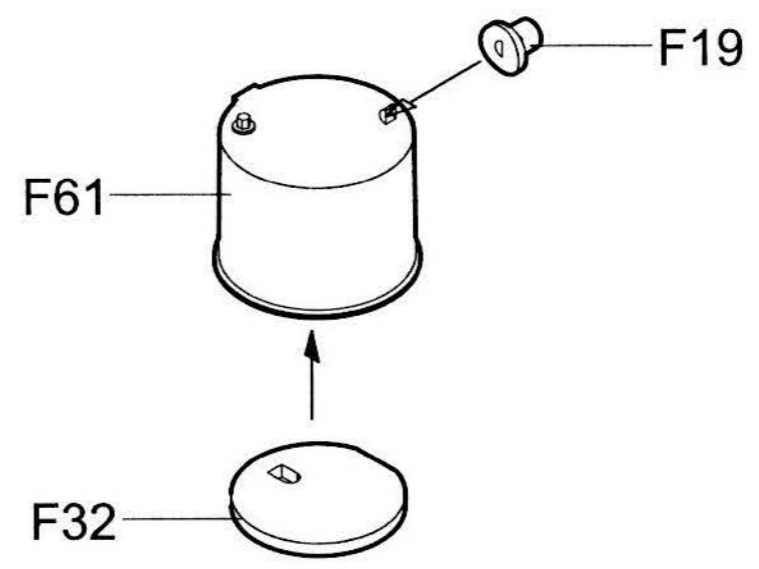
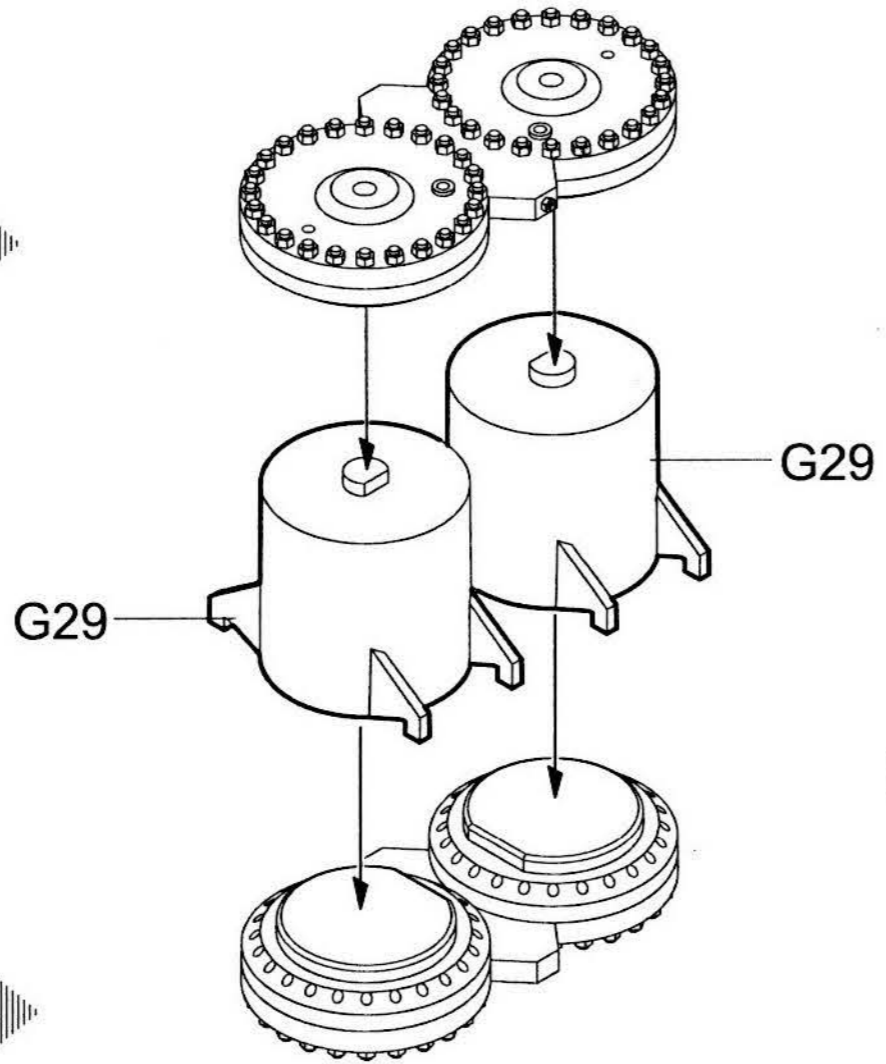
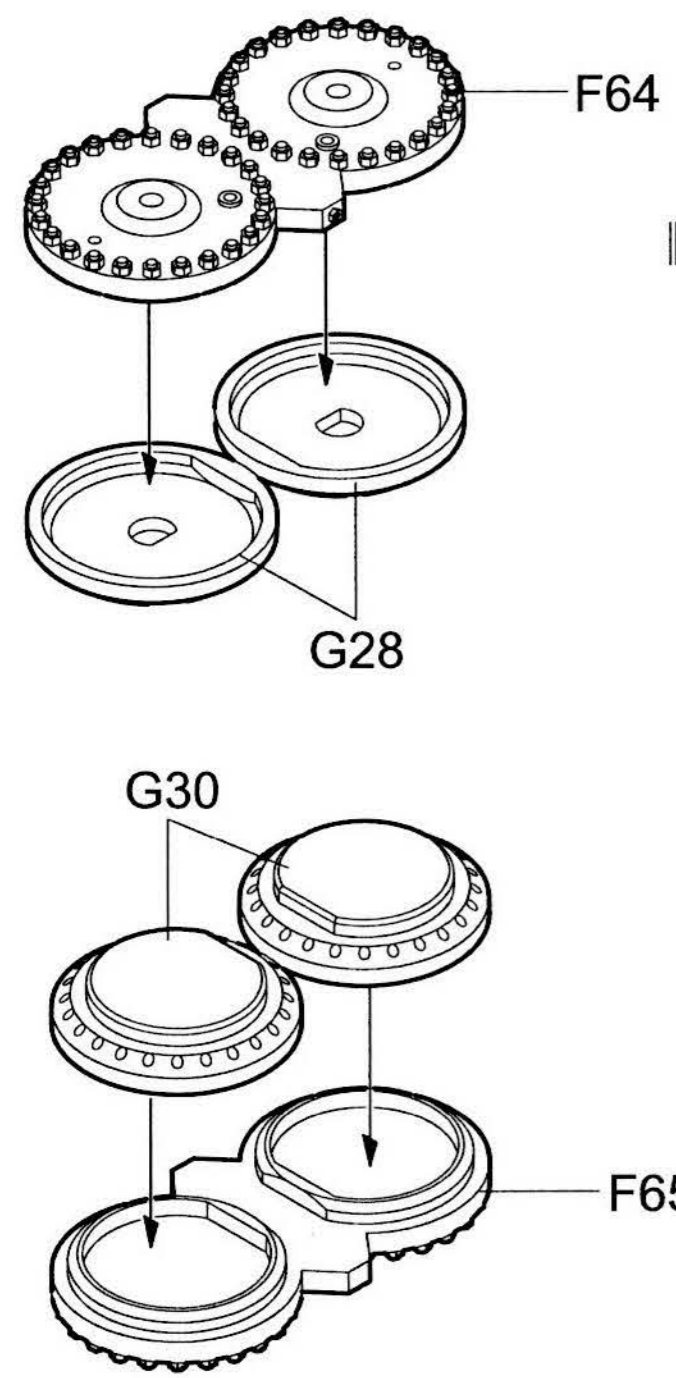




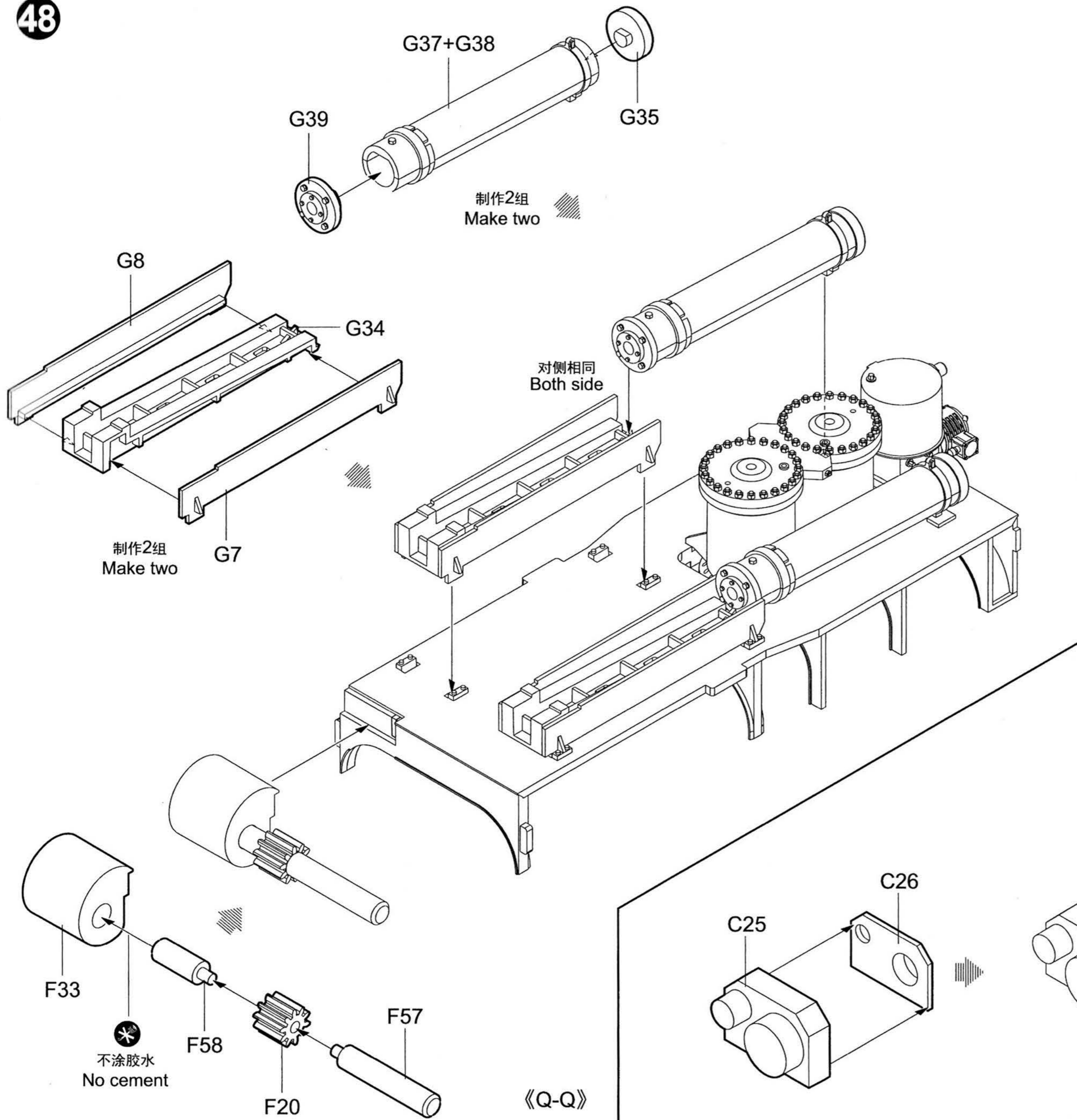




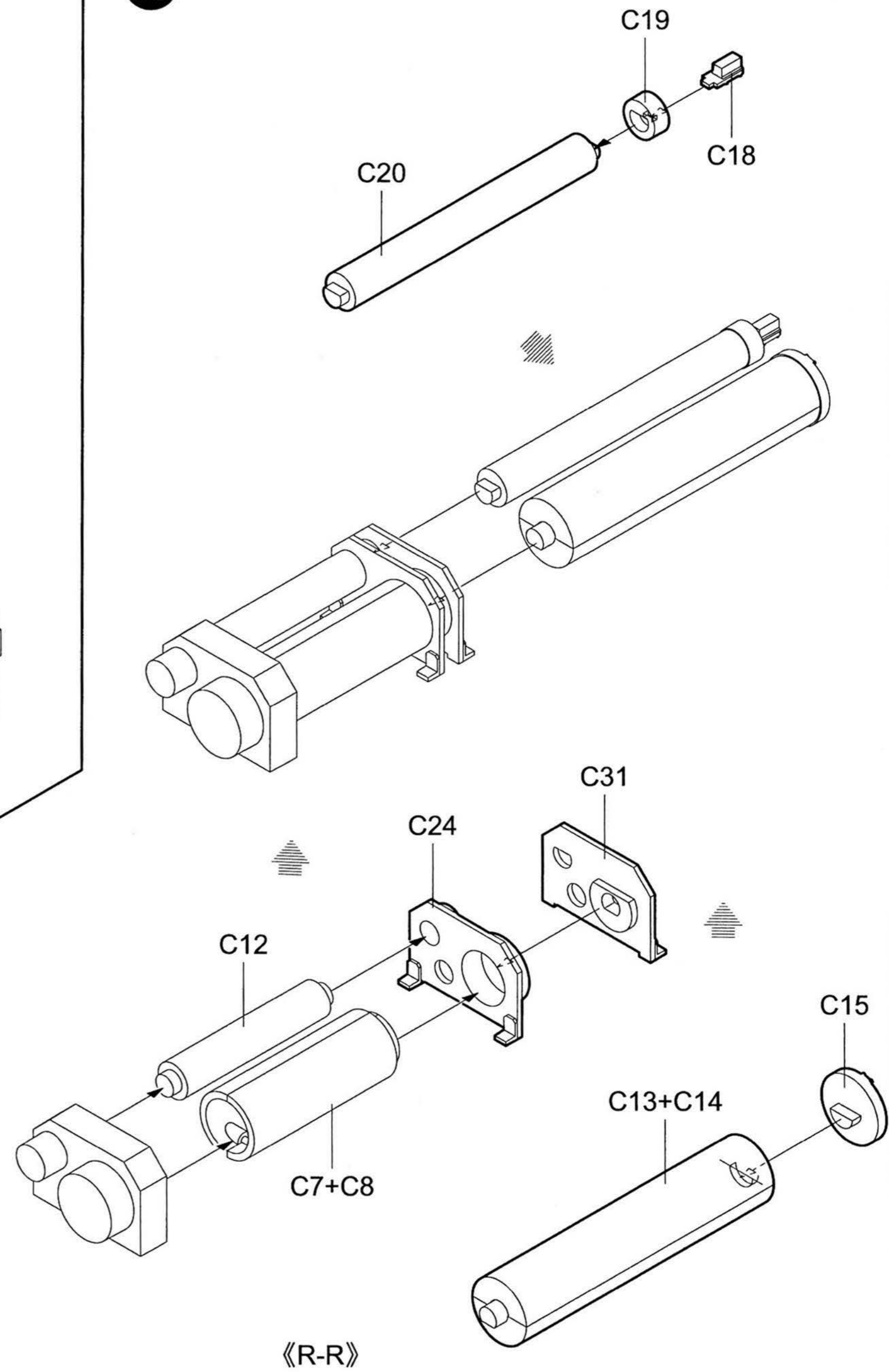


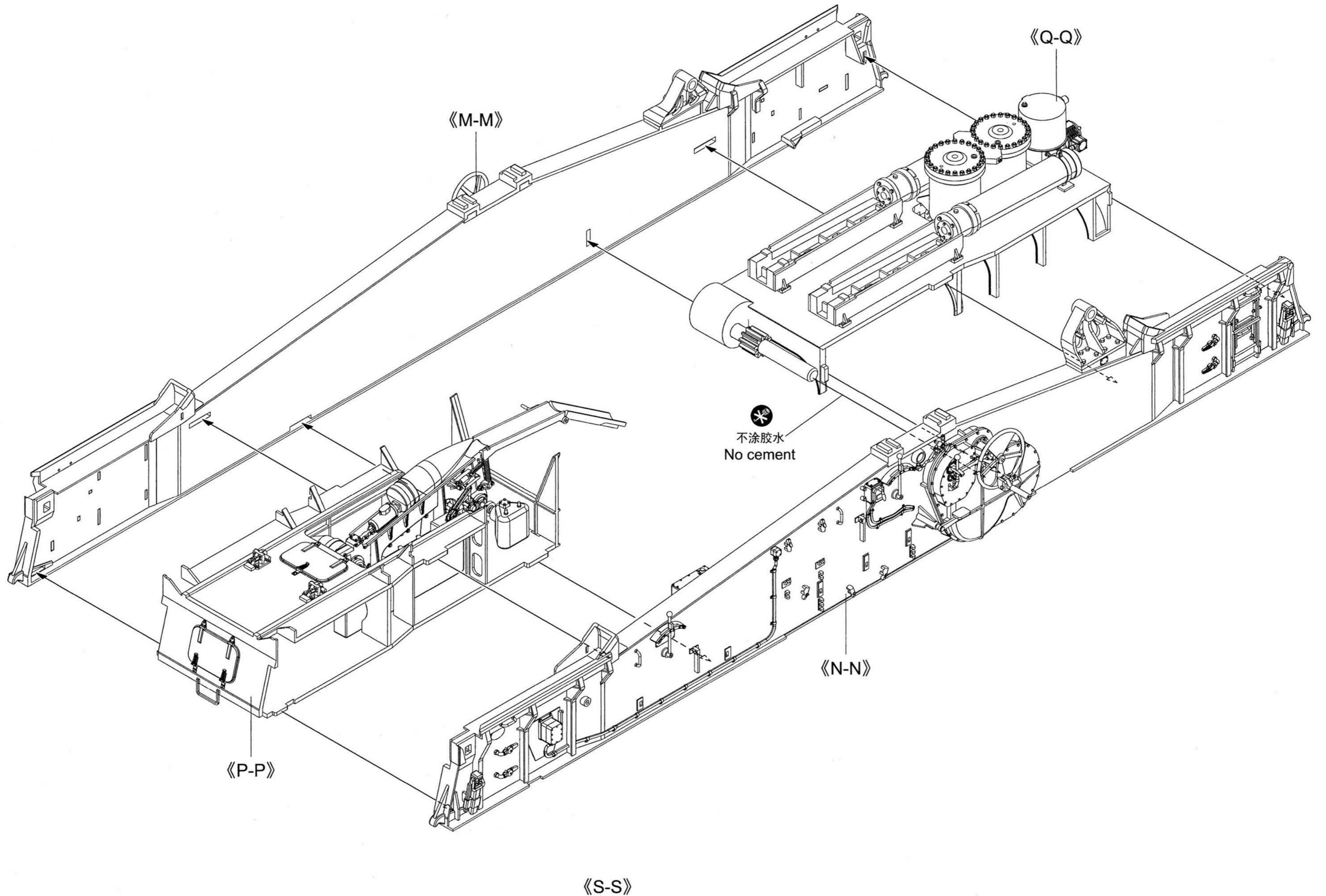


48

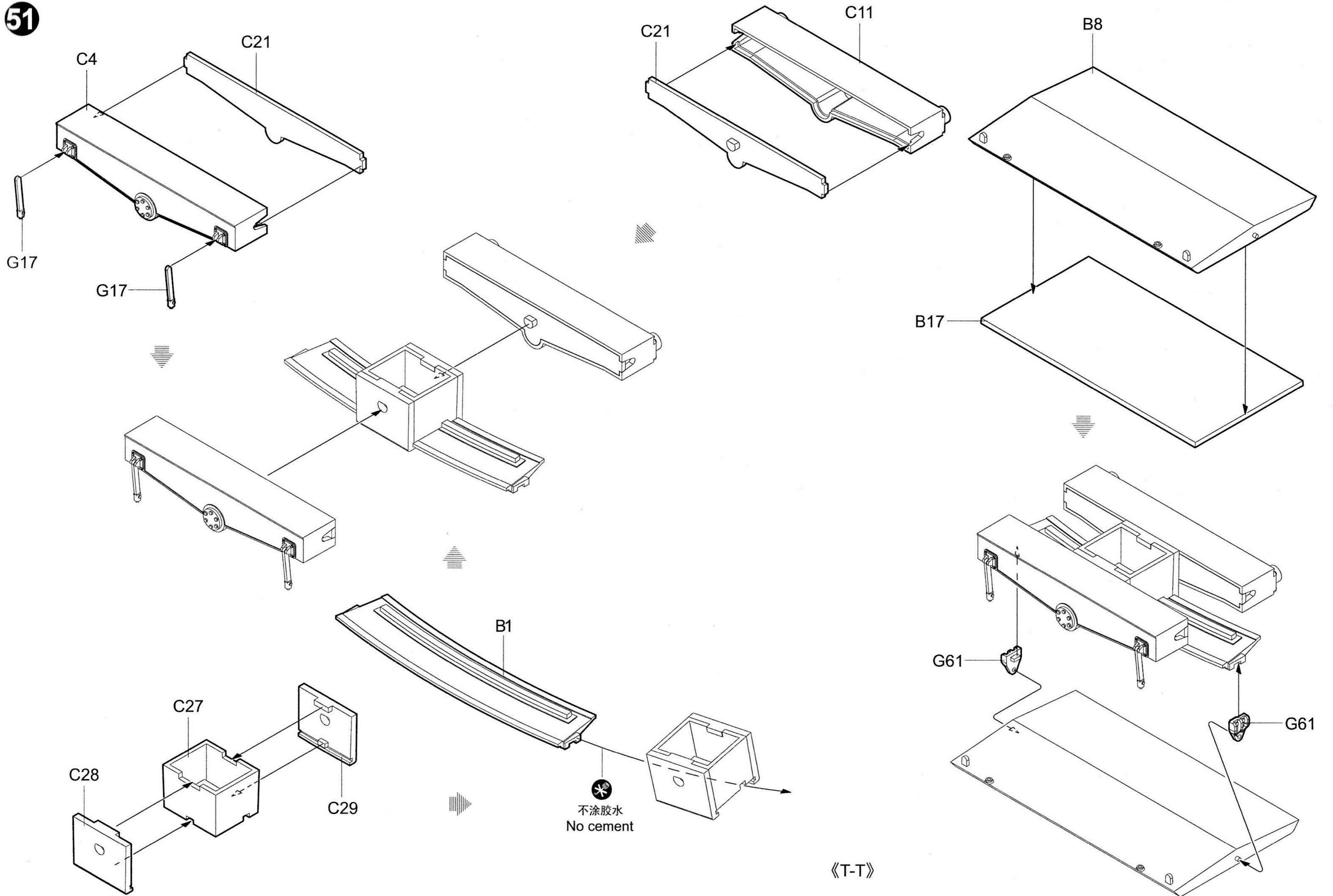


49

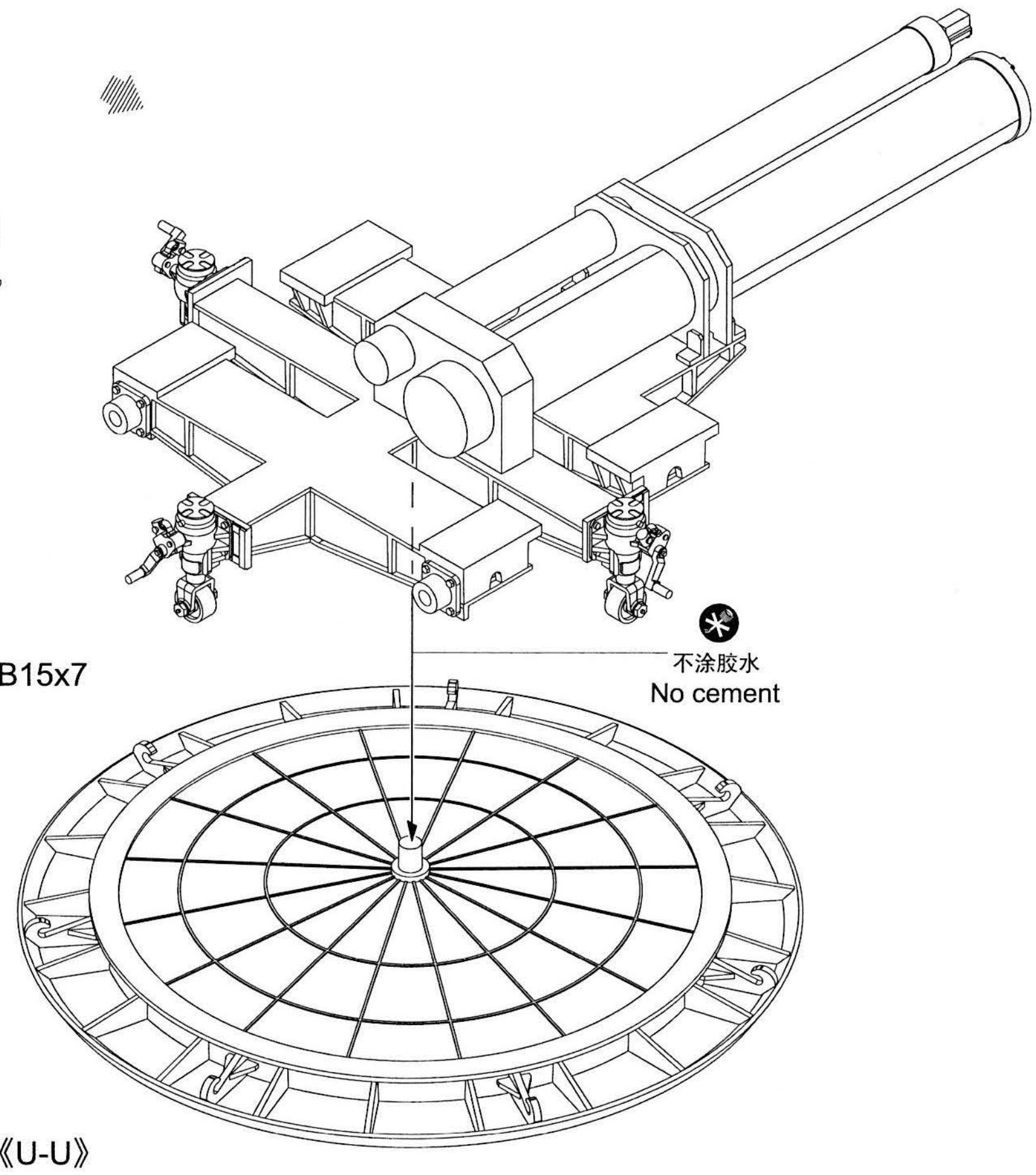
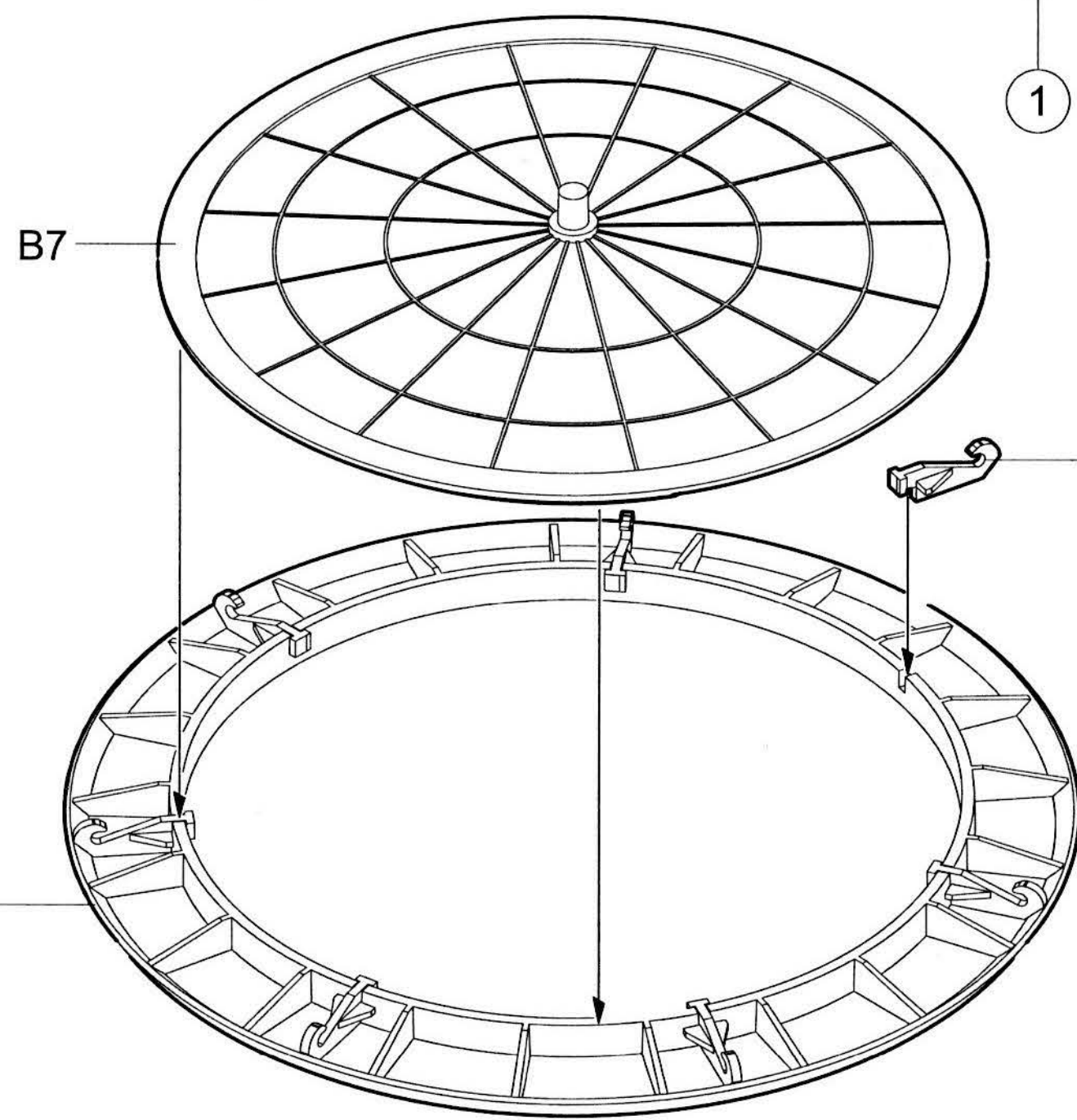
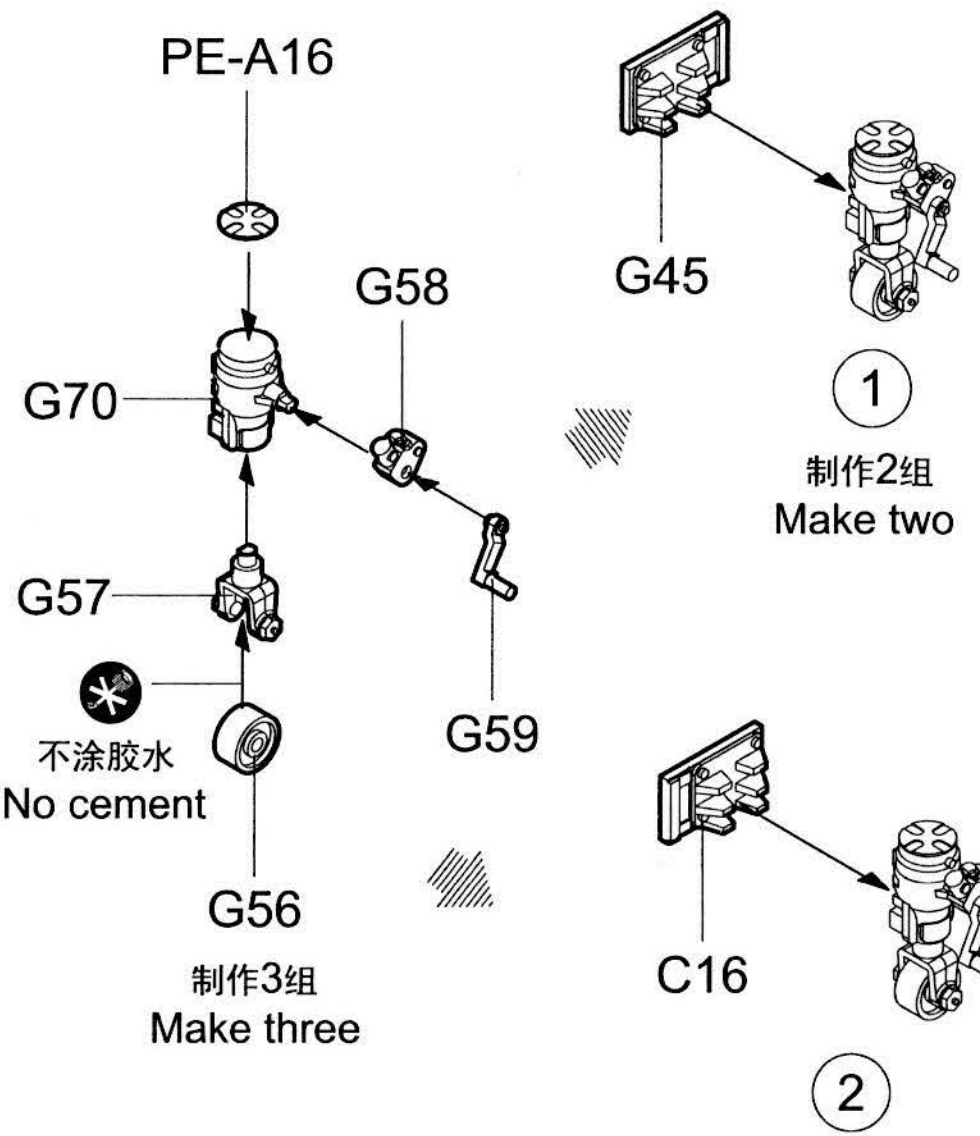
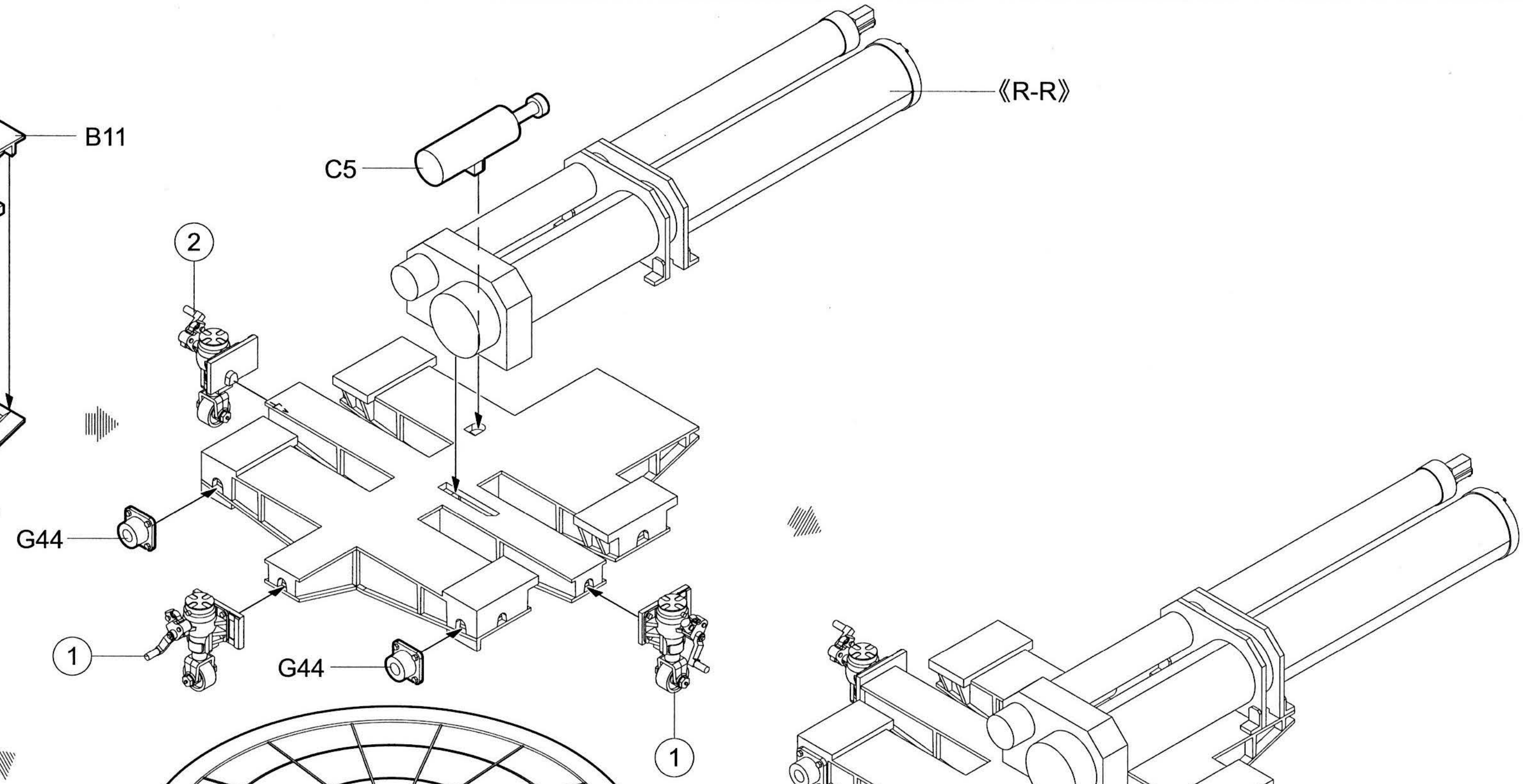
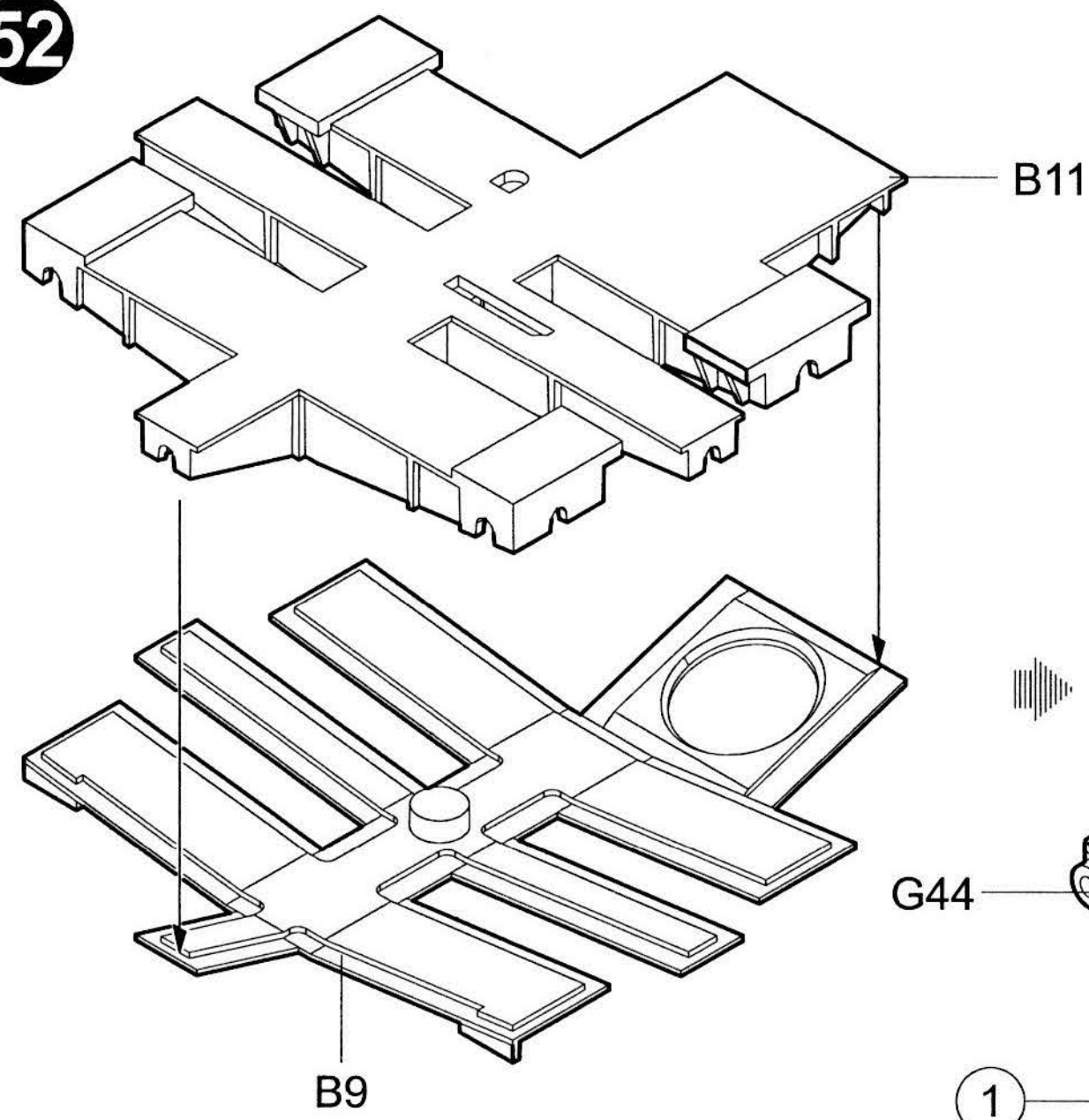




51

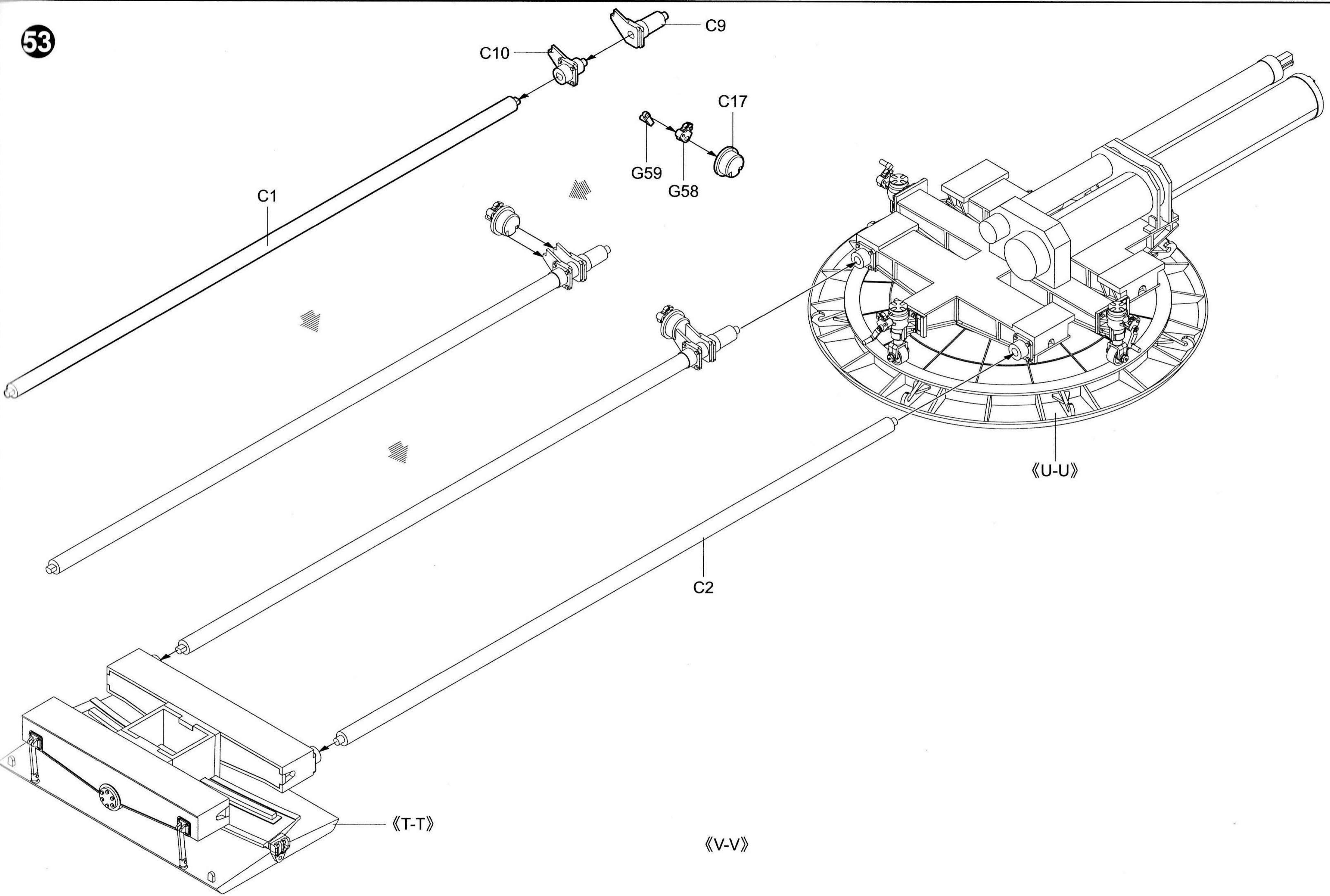


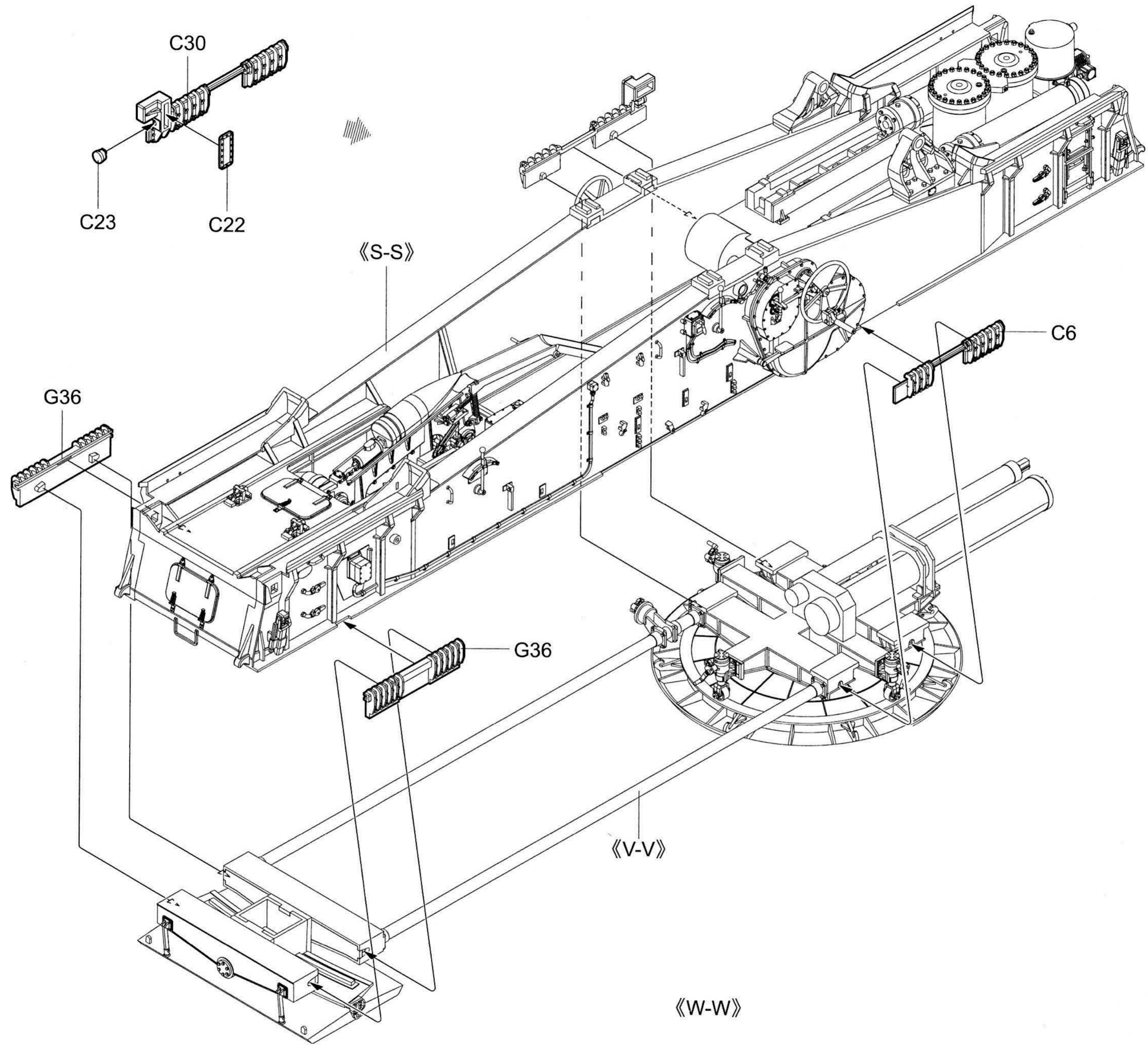
52



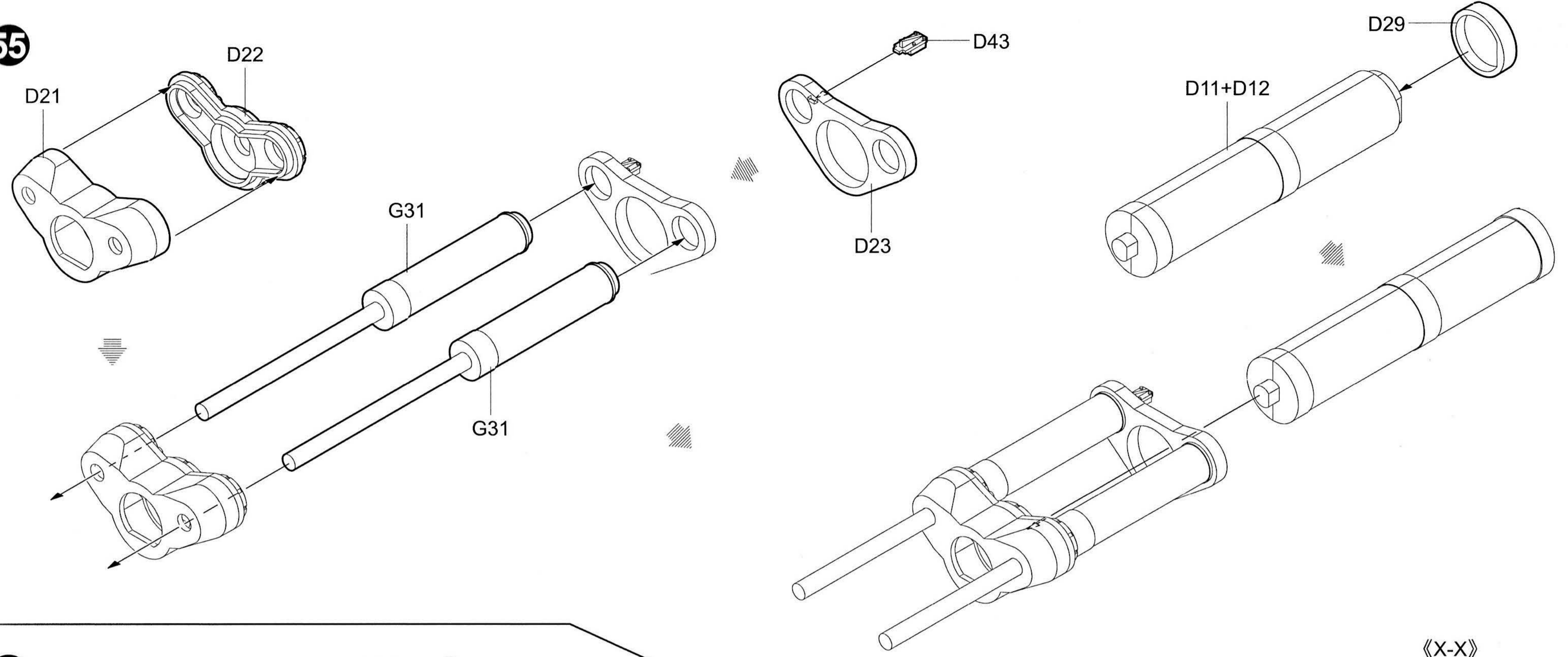


53

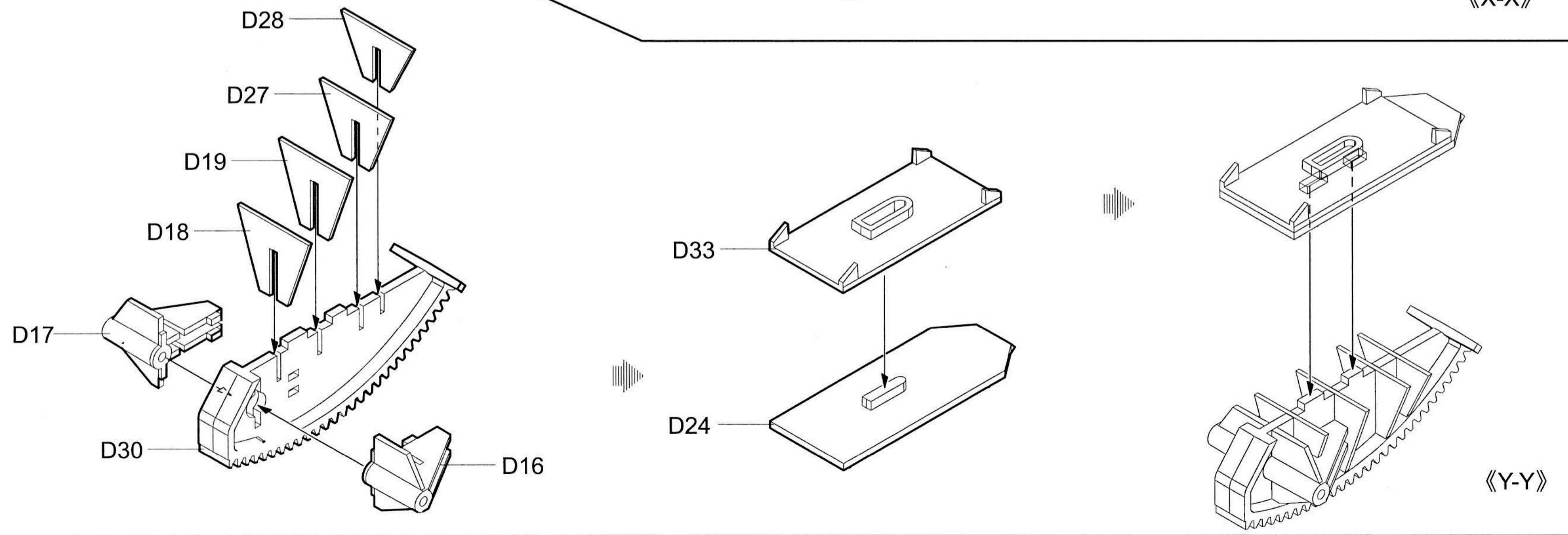




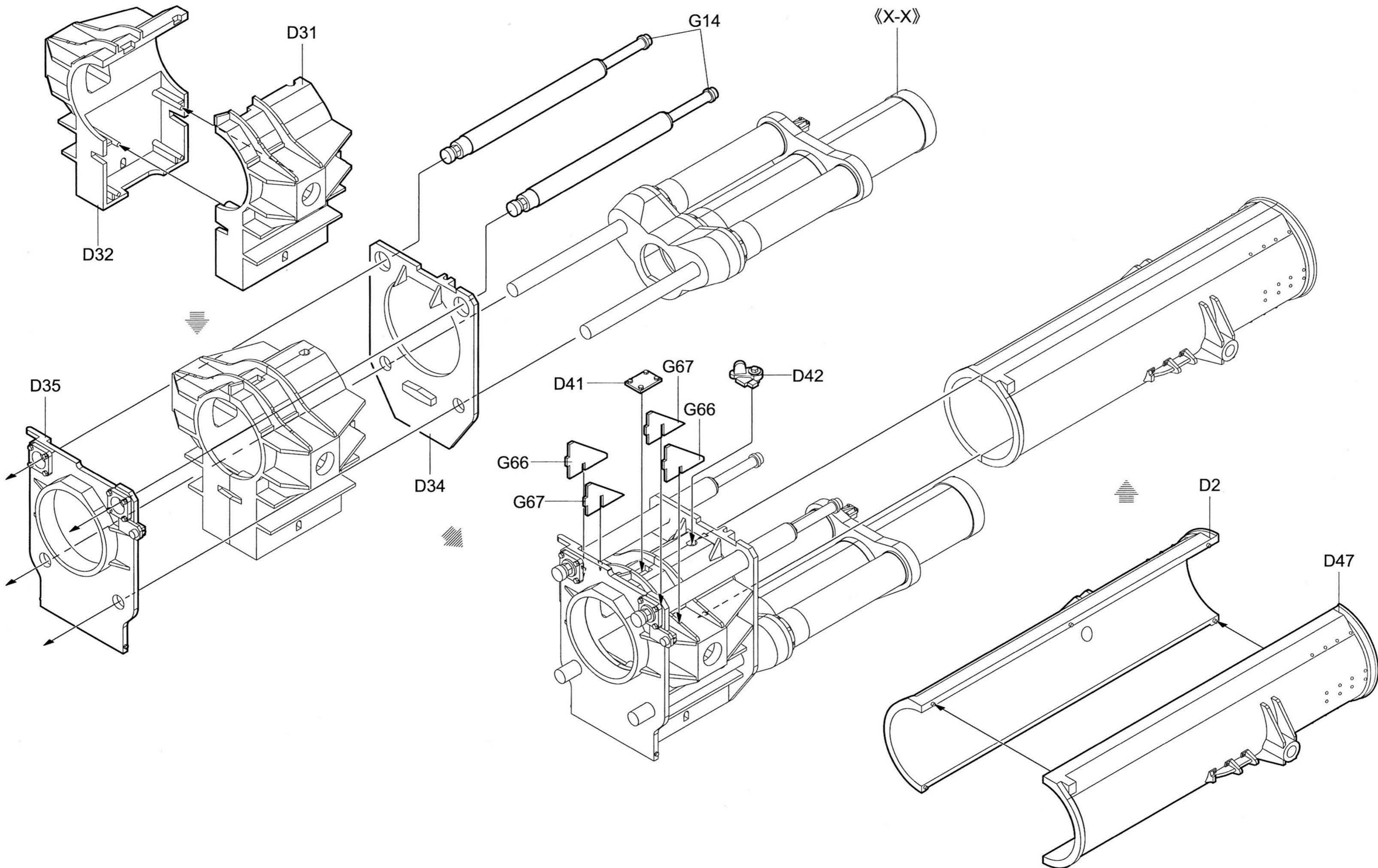
55



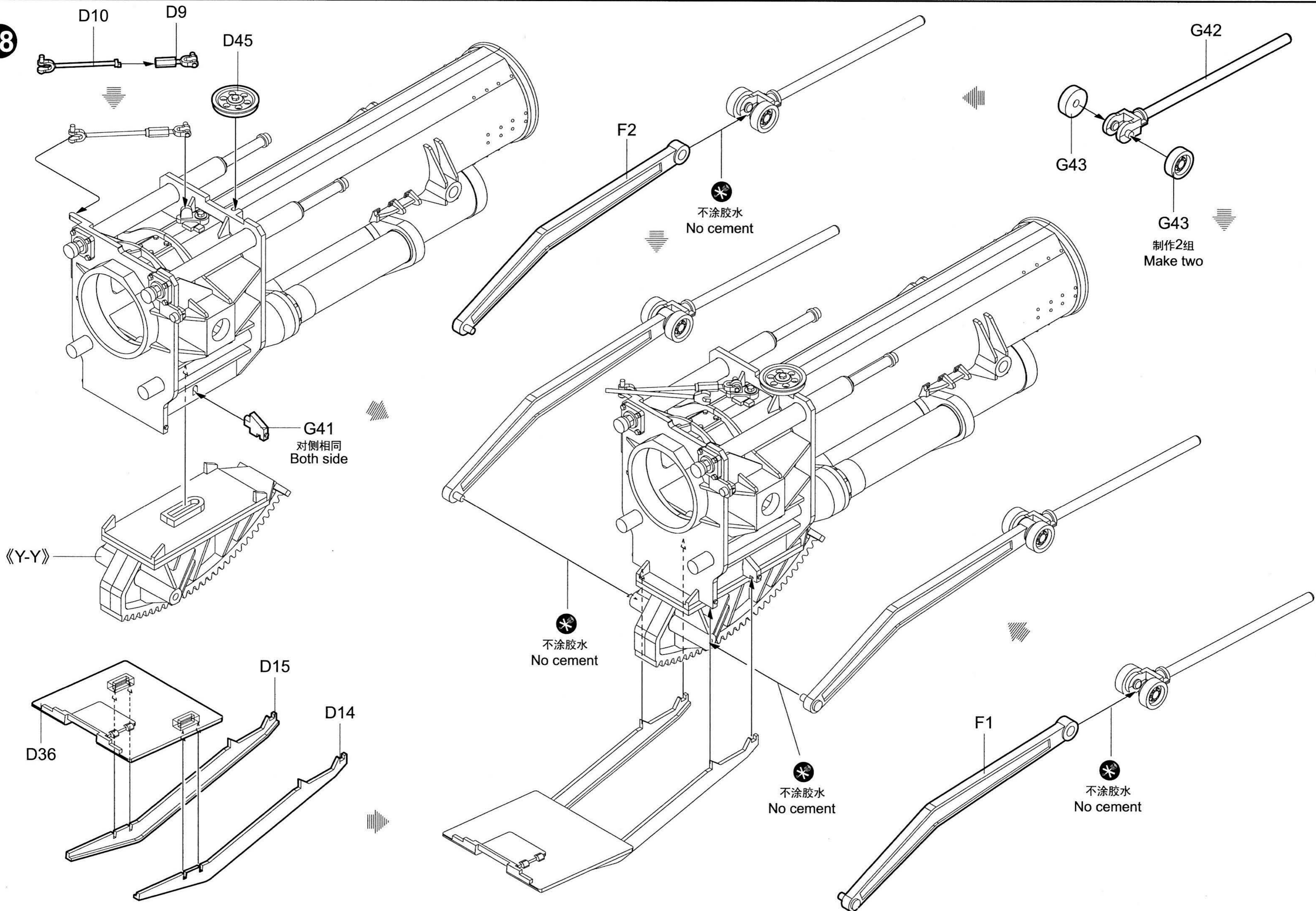
56

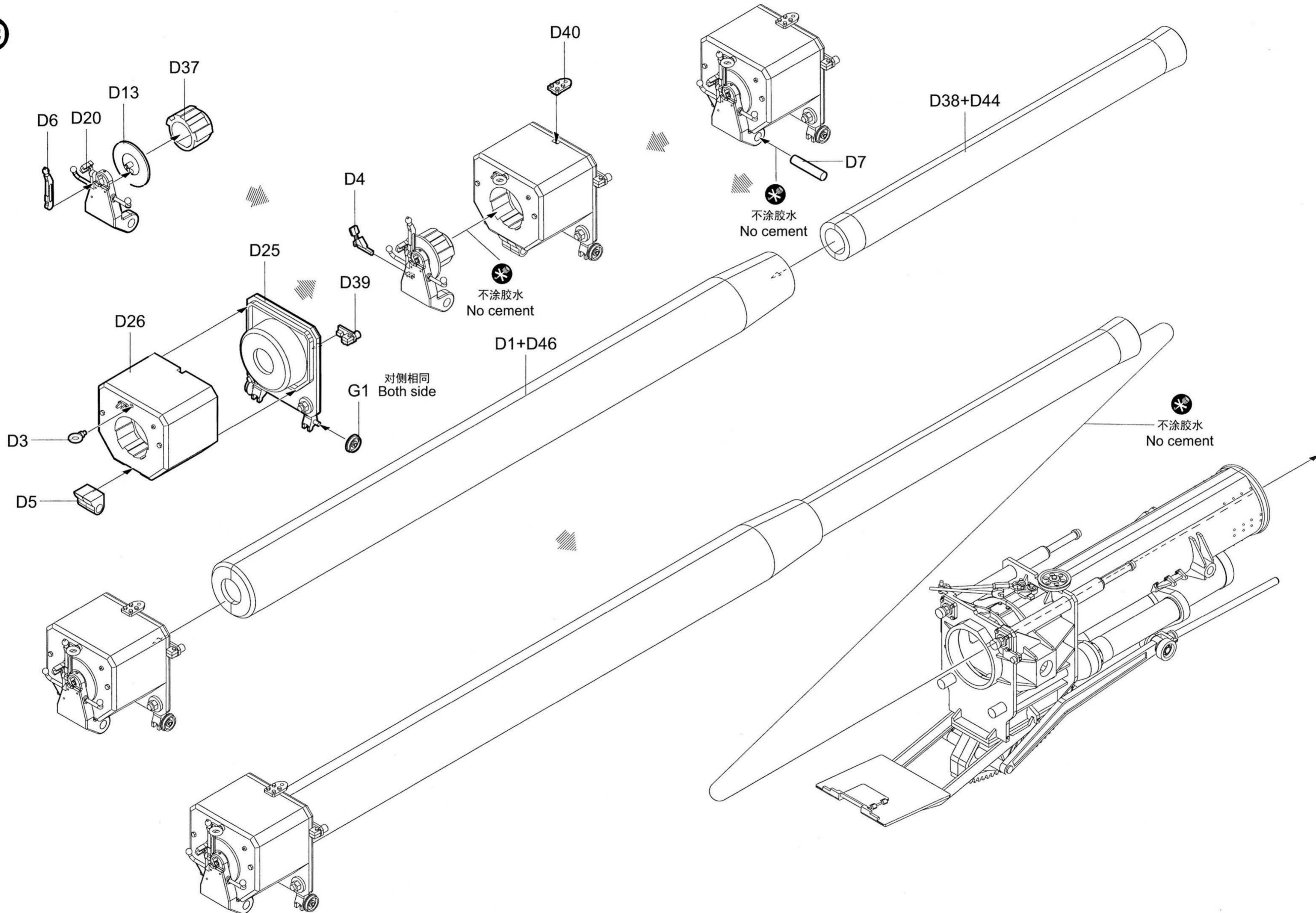


57

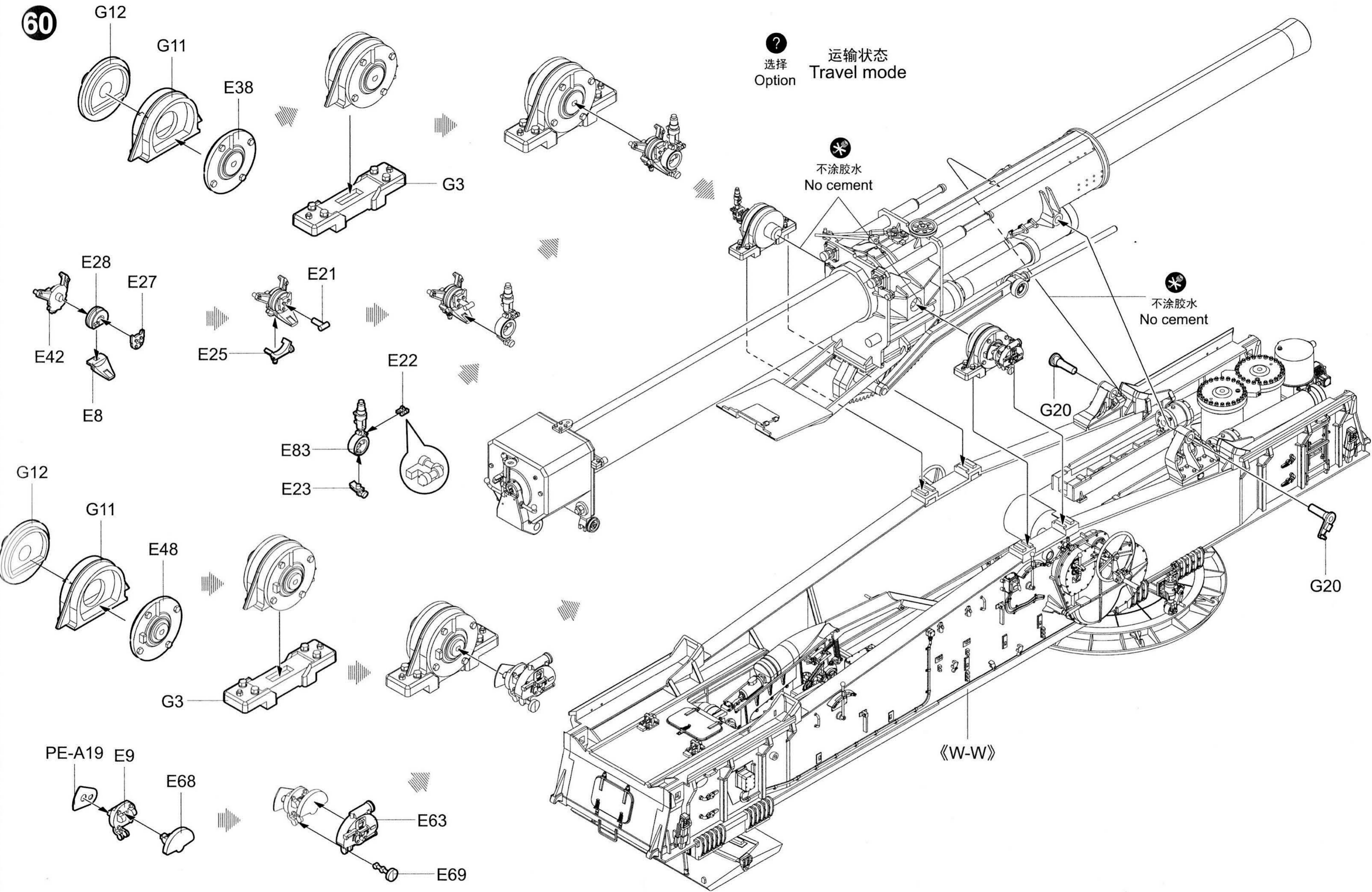


58





60



选择  
Option

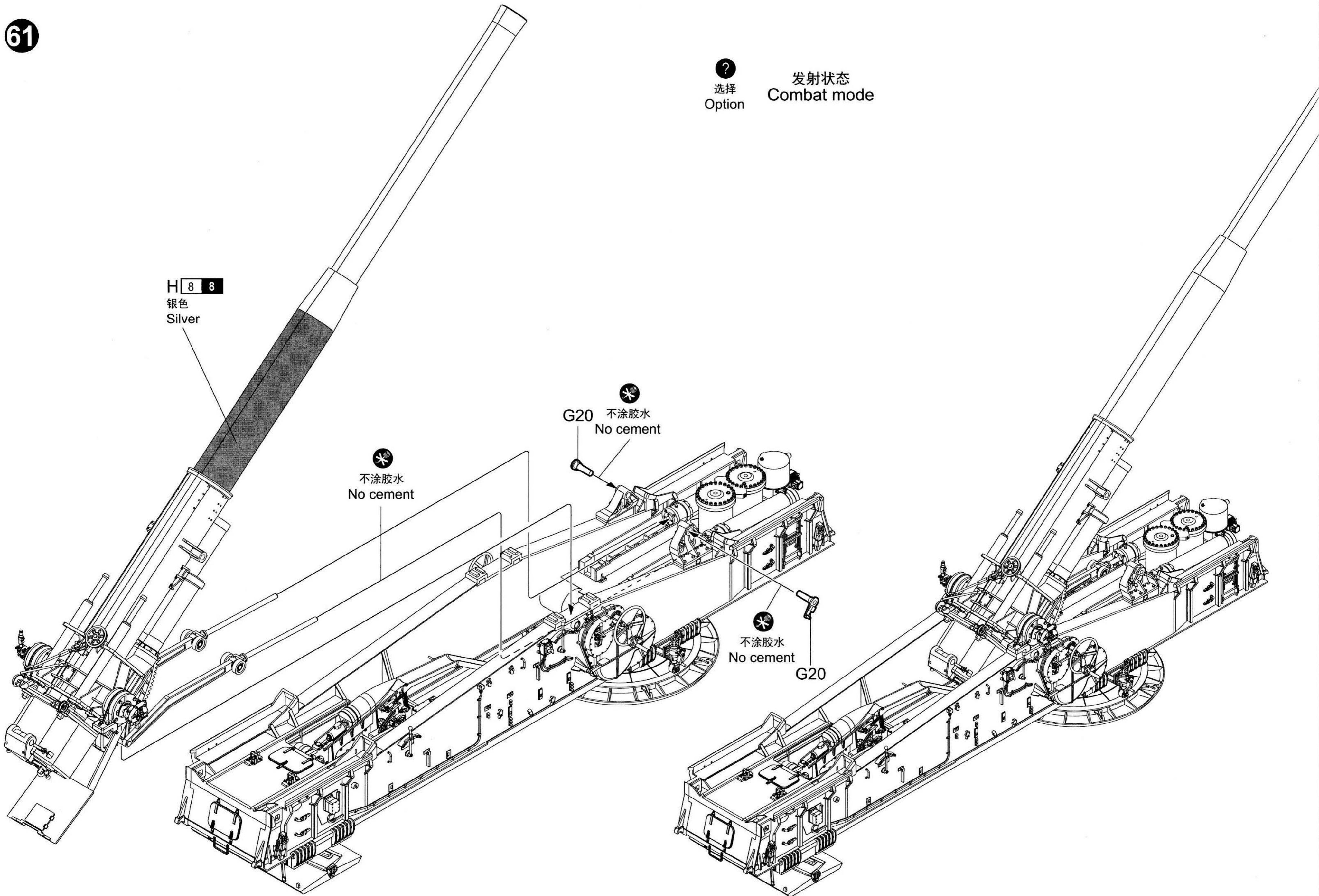
发射状态  
Combat mode

H 8 8  
银色  
Silver

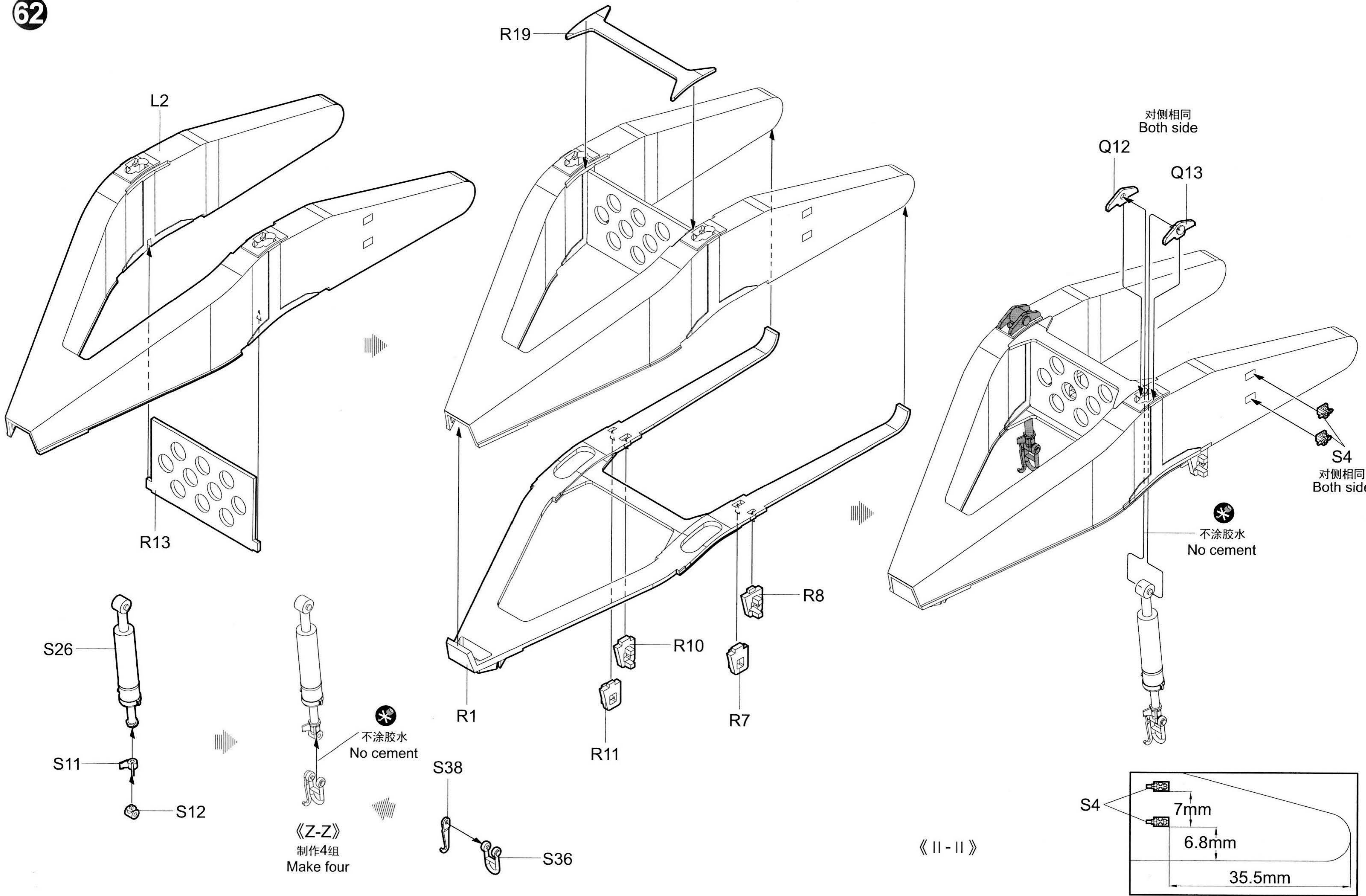
\*  
不涂胶水  
No cement

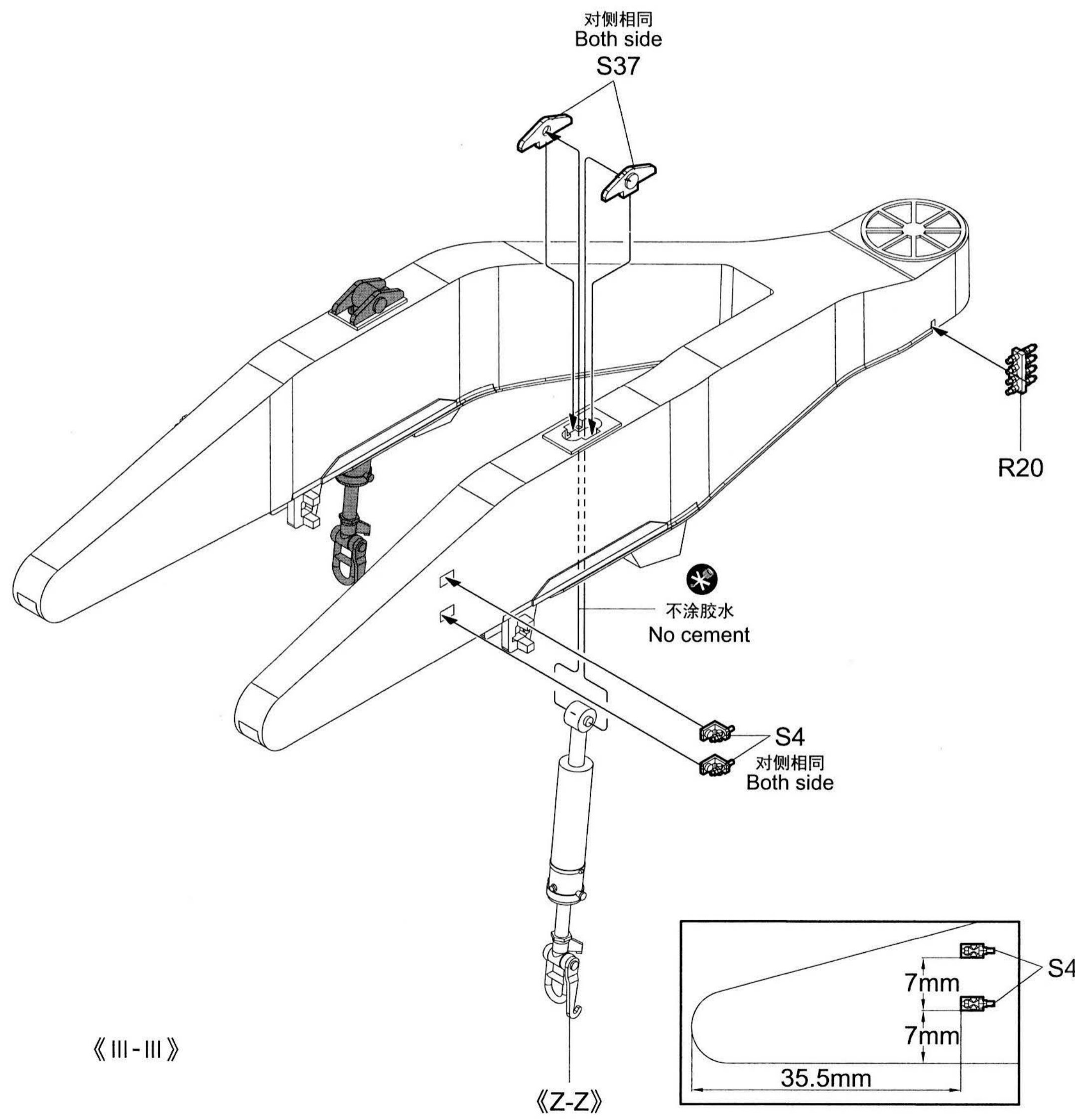
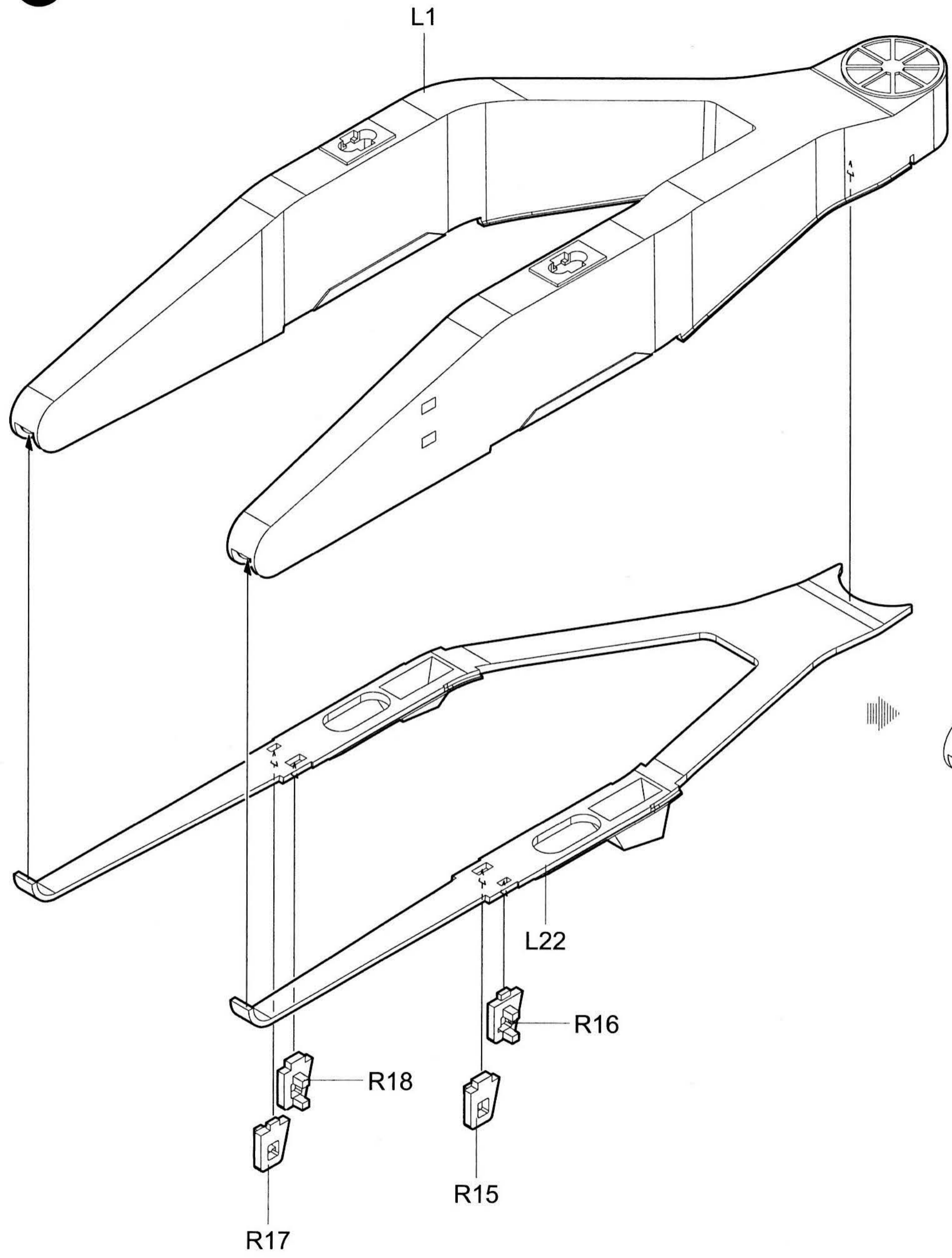
\*  
G20 不涂胶水  
No cement

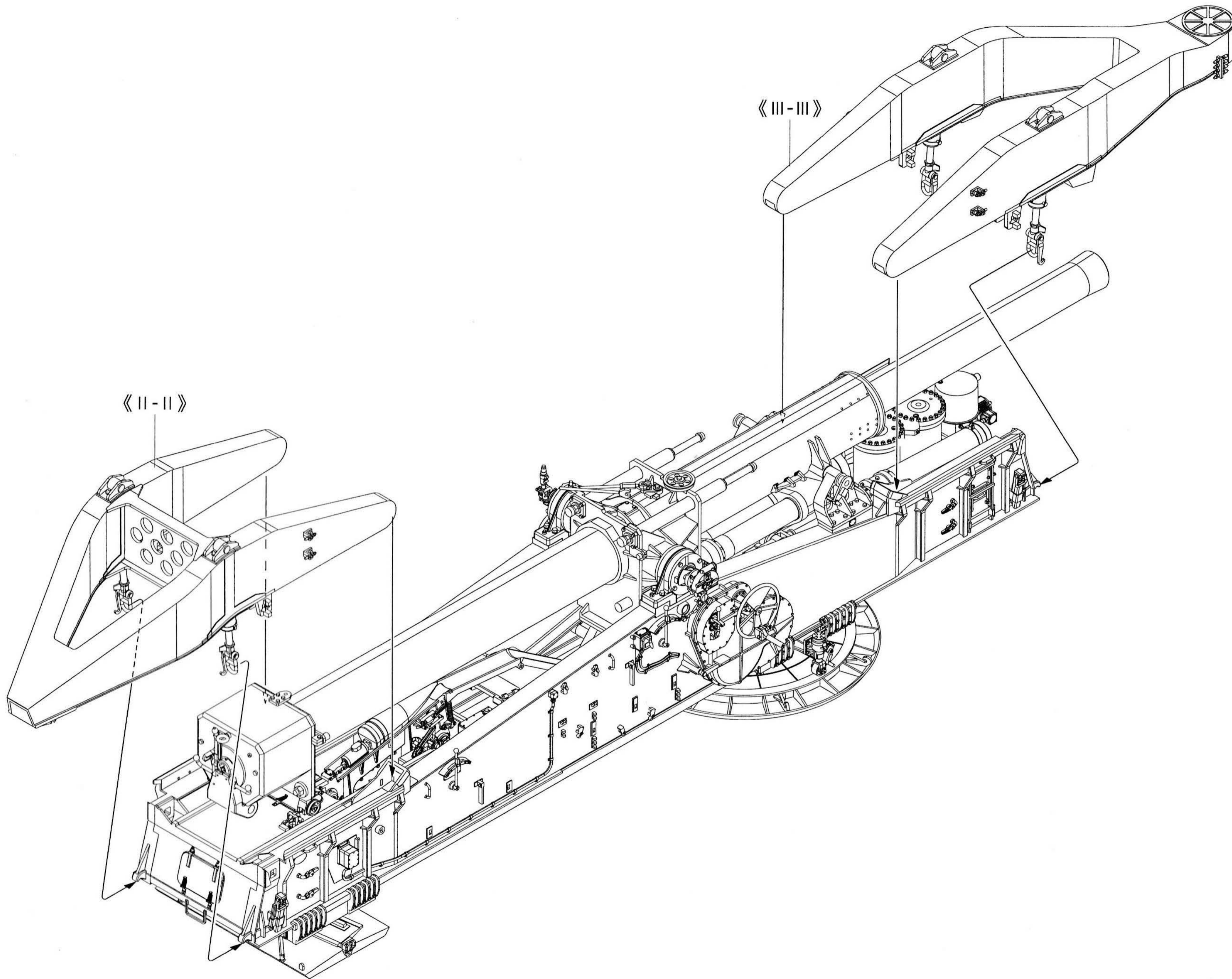
\*  
不涂胶水  
No cement  
G20



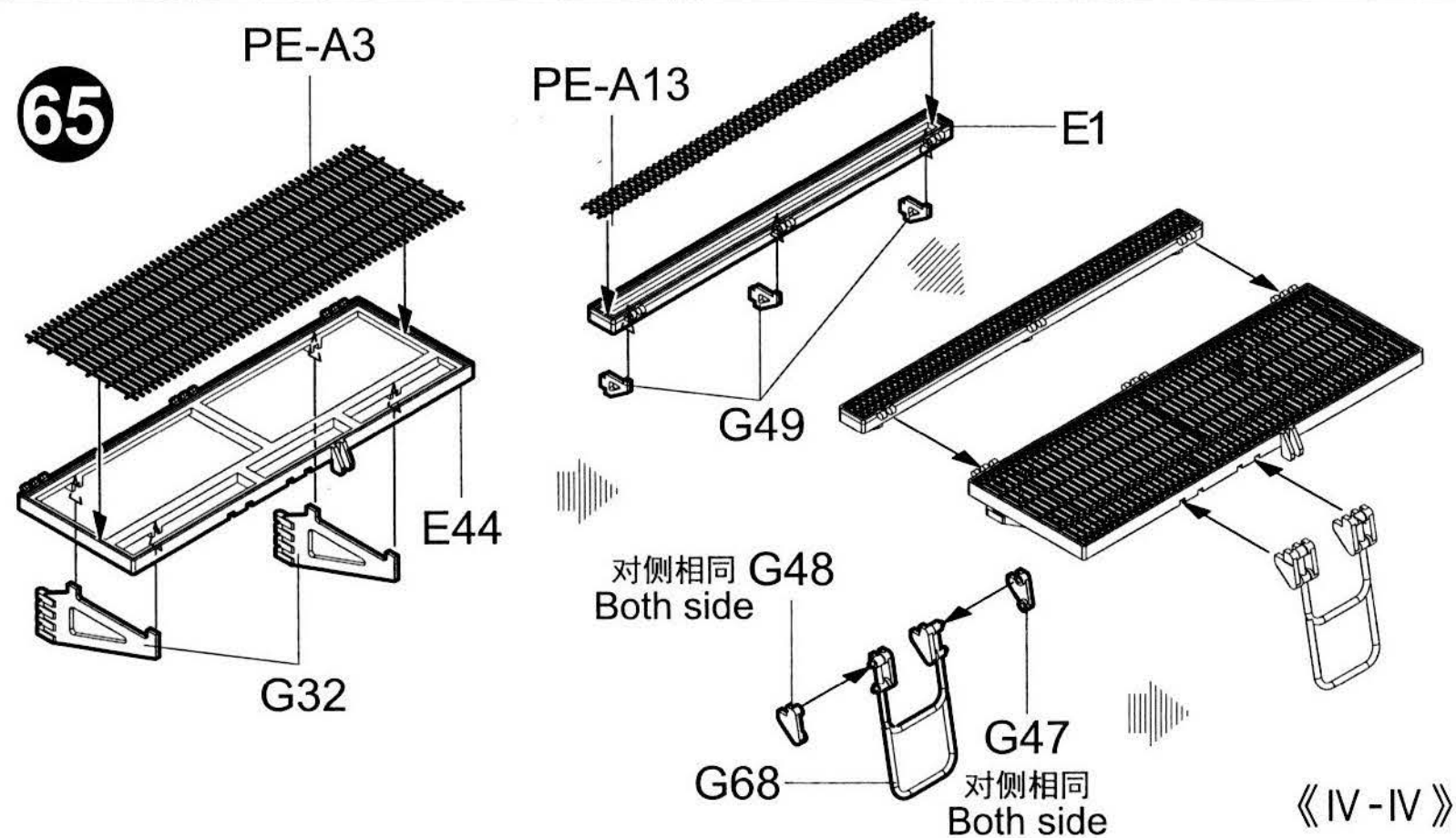




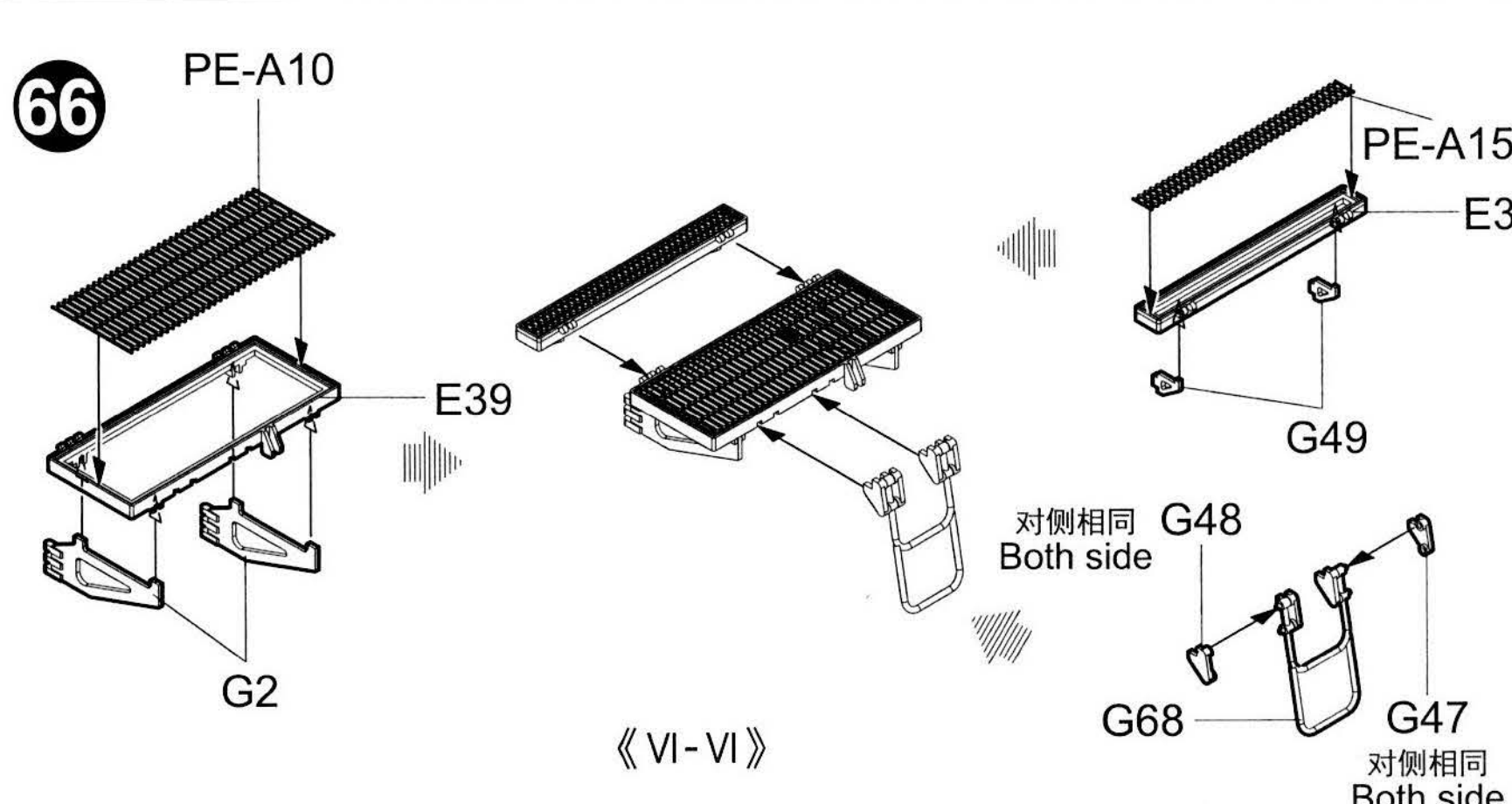




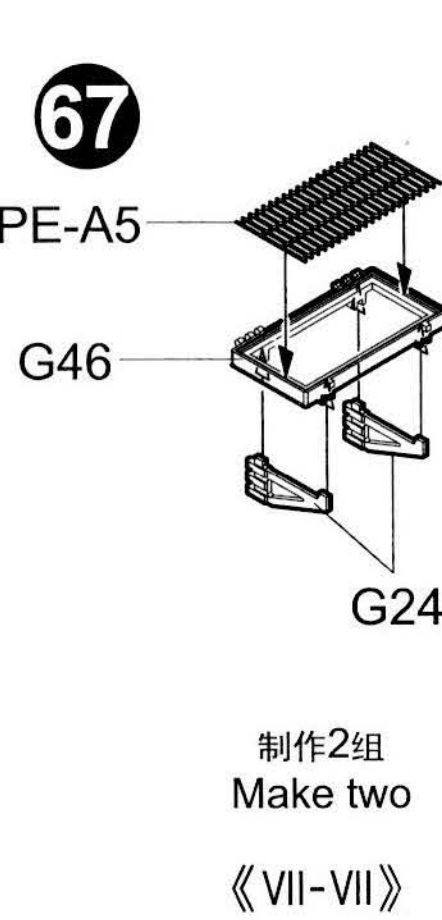
65



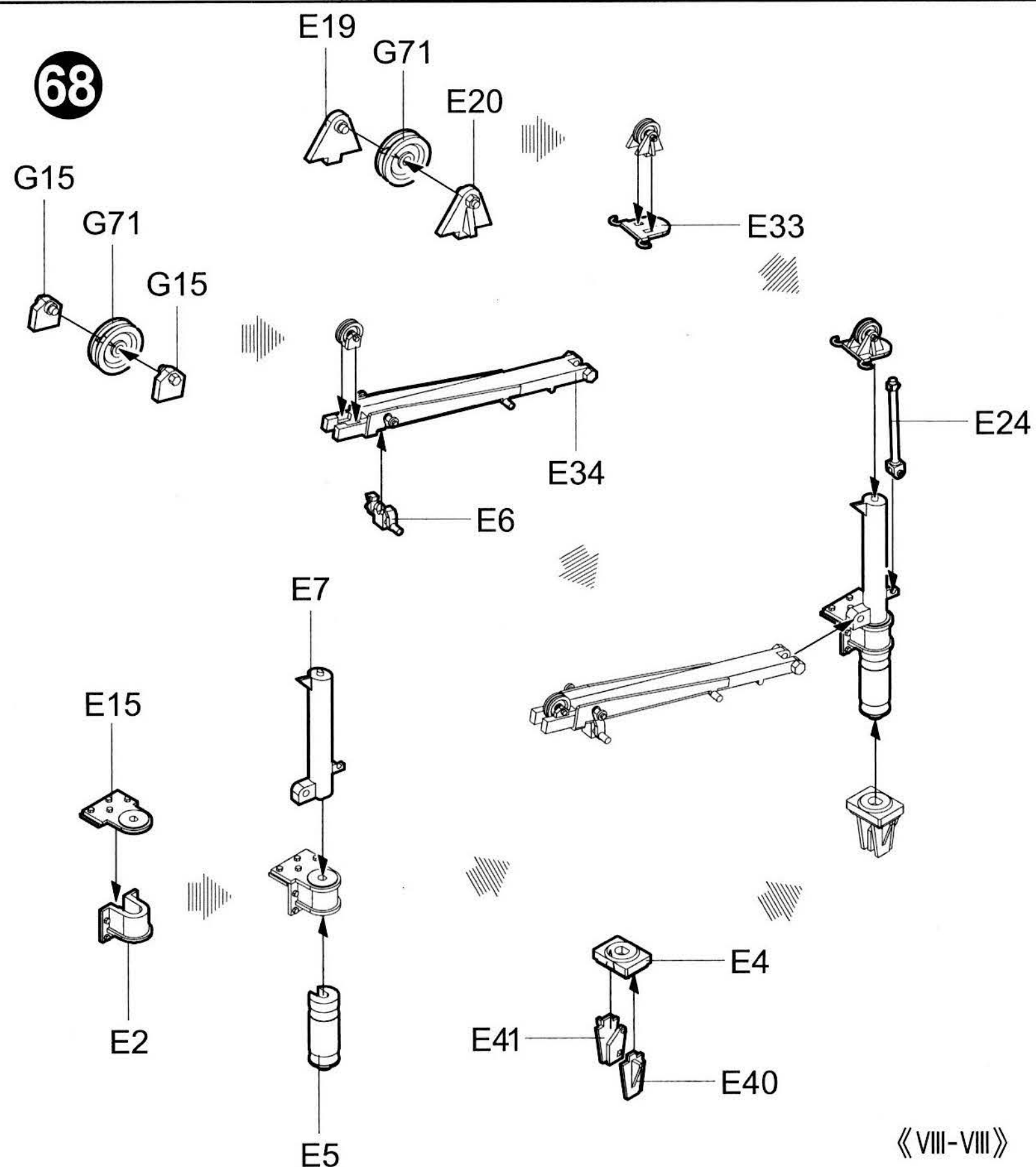
66



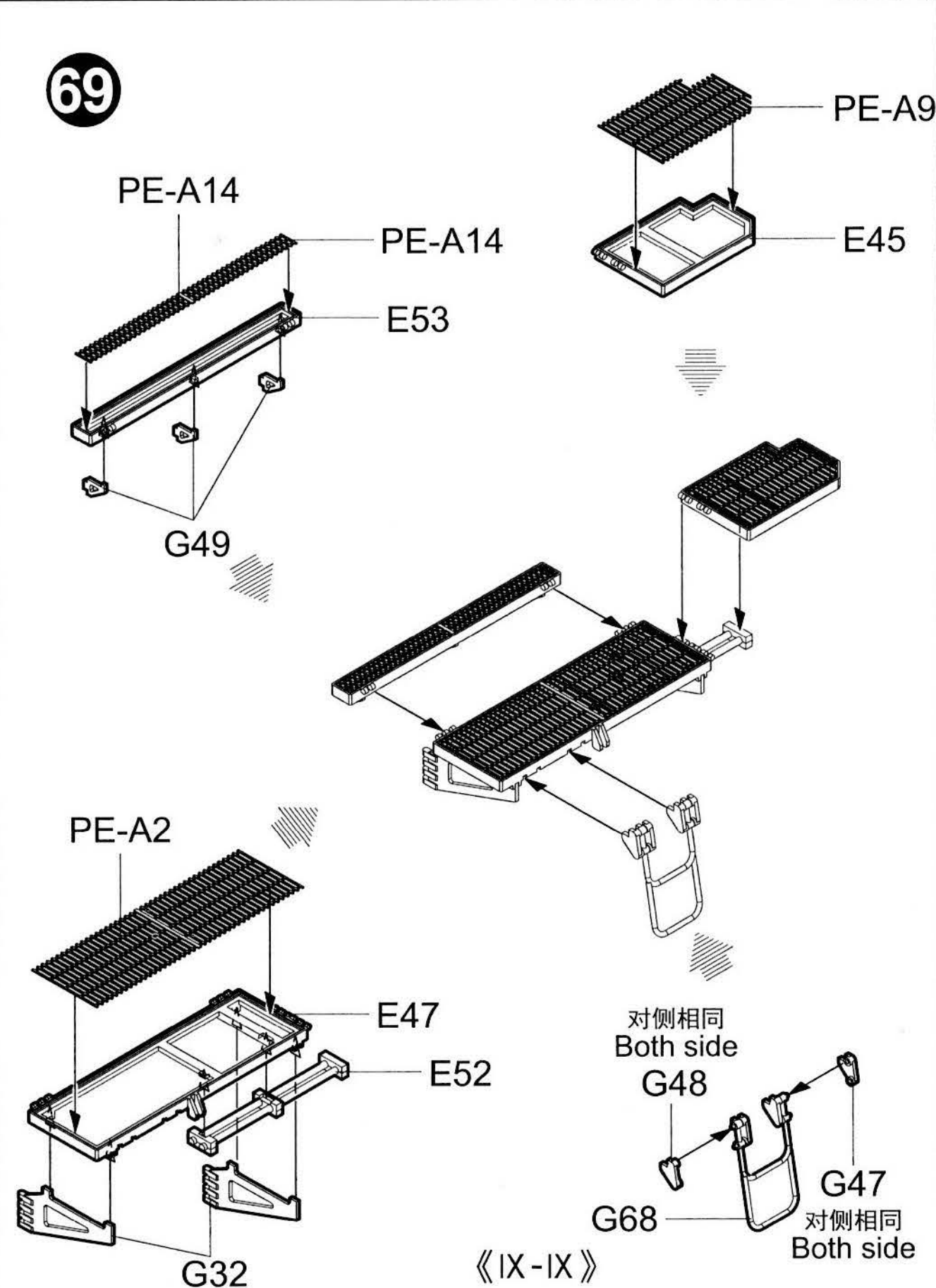
67



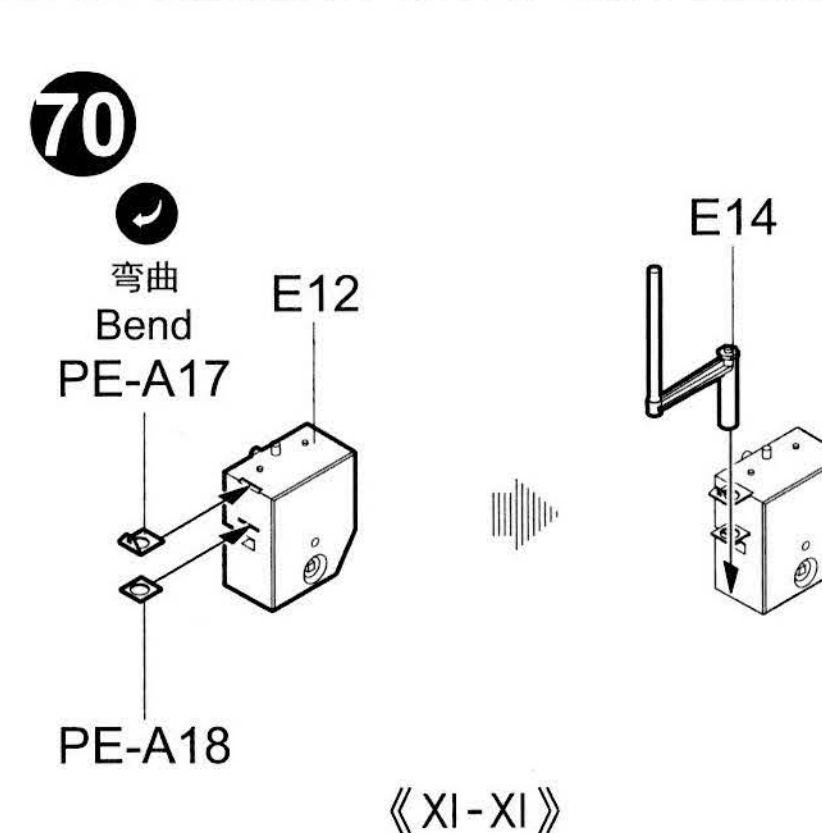
68



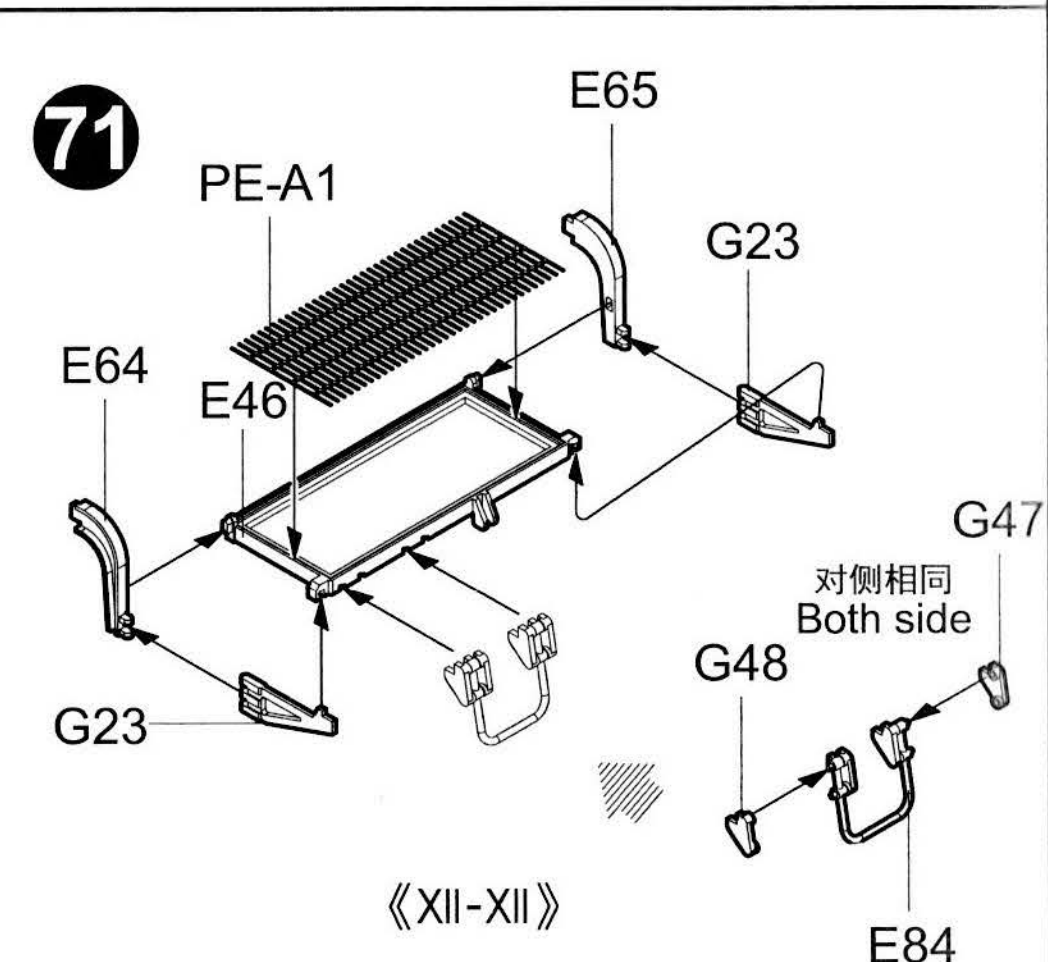
69

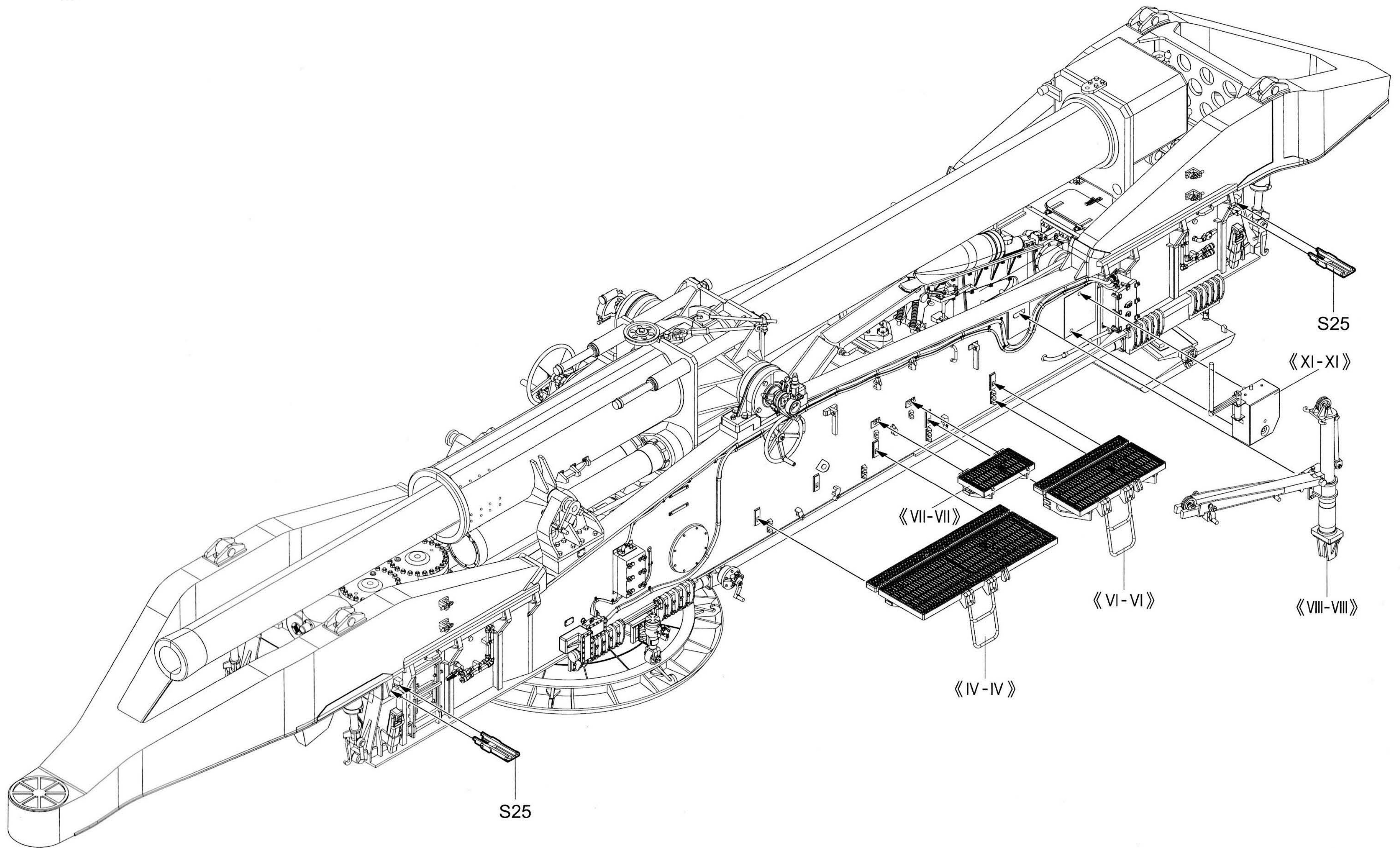


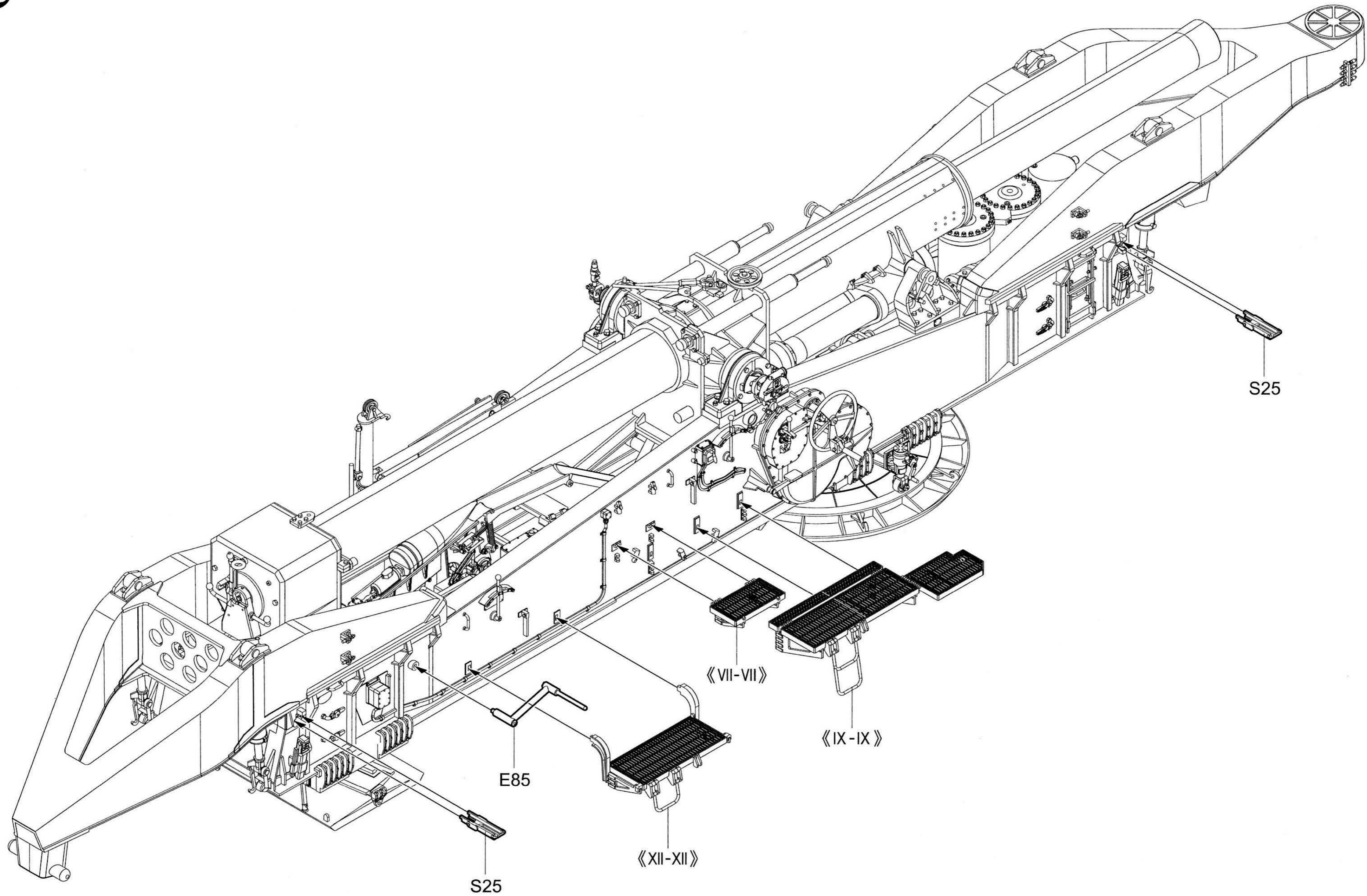
70

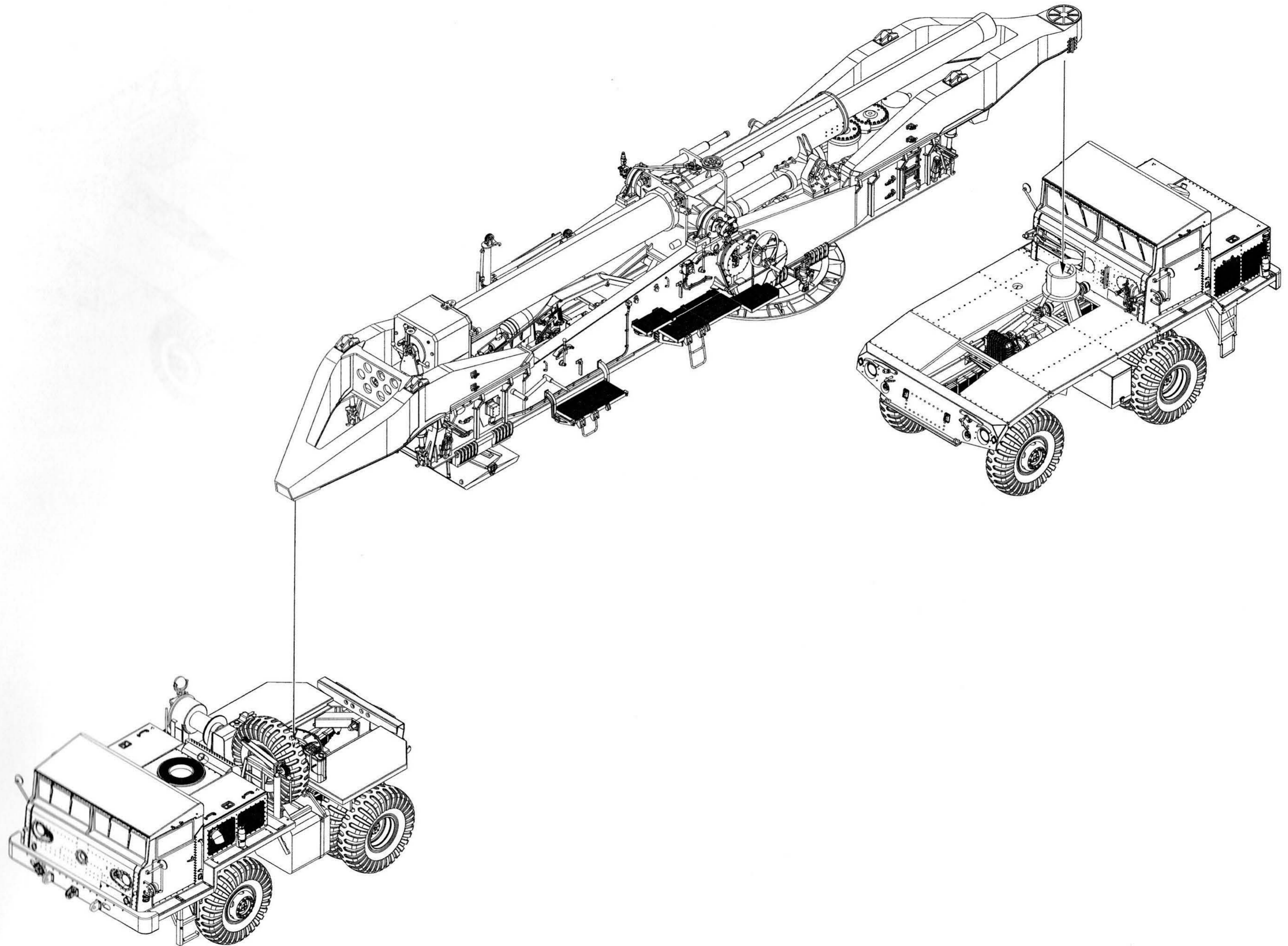


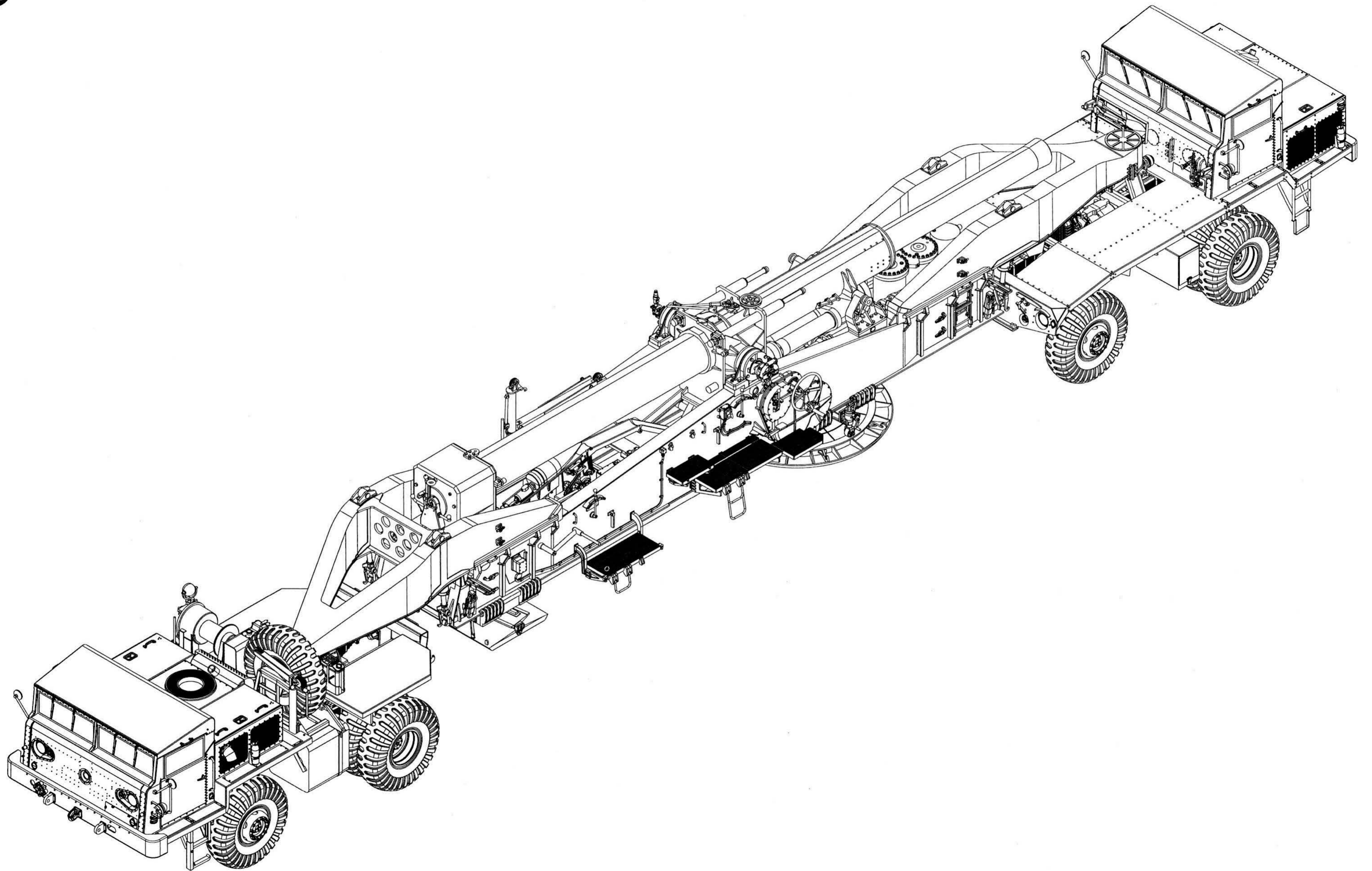
71













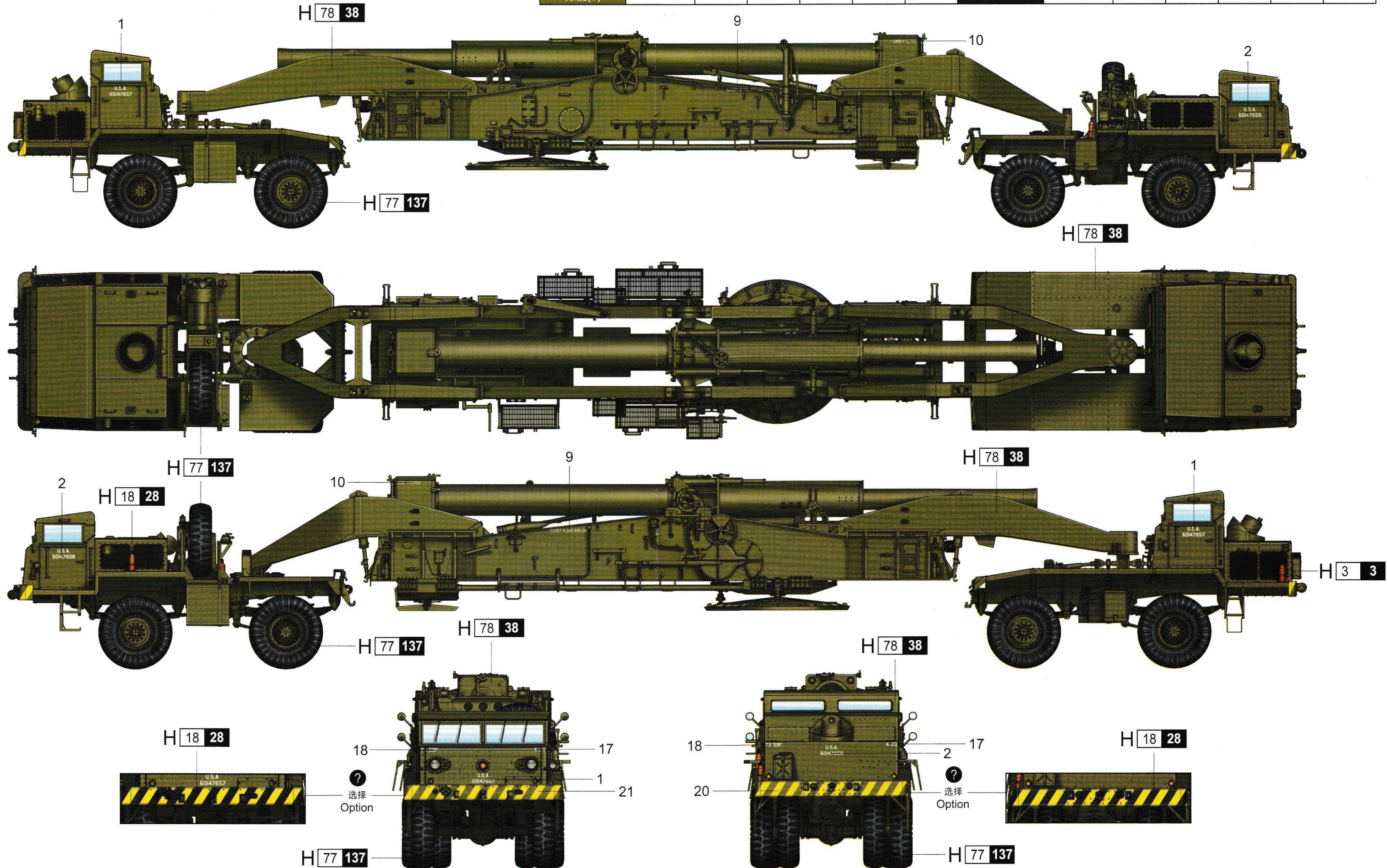
# 涂装同标贴指示

## Painting & Marking guide

**A**

### PAINT REFERENCE COLOR

Color	Mr.Hobby	Acrycion	Vallejo	Model Master	Tamiya	Humbrol	Color	Mr.Hobby	Acrycion	Vallejo	Model Master	Tamiya	Humbrol
Tire Black 胎黑色	H 77 137	N 77	—	—	—	—	Red 红色	H 3 3	N 3	908	1503	X7	19
Olive Drab(2) 橄榄(2)	H 78 38	N 78	—	—	—	—	Steel 钢铁色	H 18 28	N 18	864	1402	—	—



H  AQUEOUS HOBBY COLOR     Mr. COLOR    N  ACRYSION COLOR

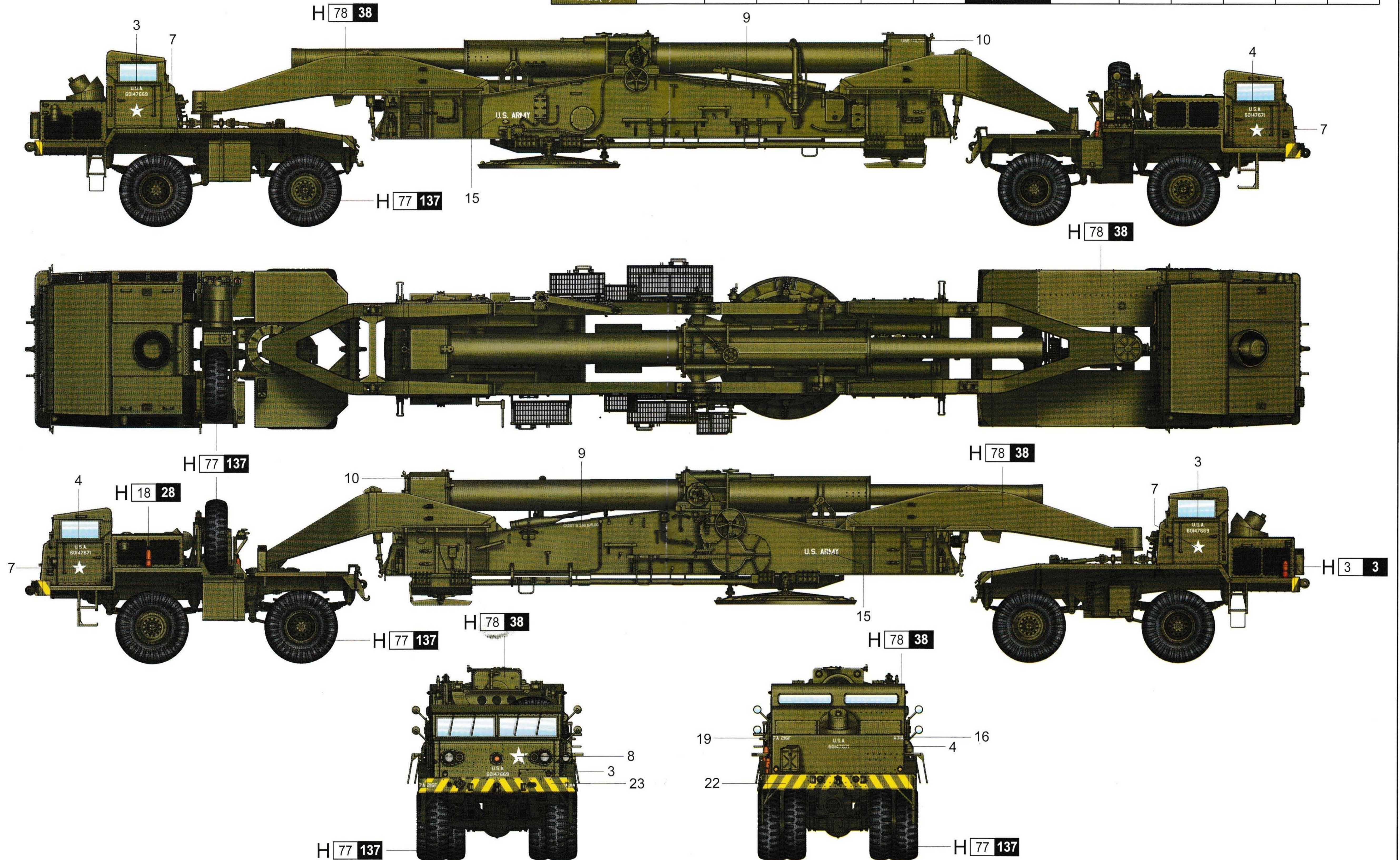
# 涂装同标贴指示

## Painting & Marking guide

**B**

### PAINT REFERENCE COLOR

Color	Mr.Hobby	Acrycion	Vallejo	Model Master	Tamiya	Humbrol	Color	Mr.Hobby	Acrycion	Vallejo	Model Master	Tamiya	Humbrol
Tire Black 胎黑色	H 77 137	N 77	—	—	—	—	Red 红色	H 3 3	N 3	908	1503	X7	19
Olive Drab(2) 橄榄(2)	H 78 38	N 78	—	—	—	—	Steel 钢铁色	H 18 28	N 18	864	1402	—	—



H  AQUEOUS HOBBY COLOR     Mr. COLOR    N  ACRYSION COLOR